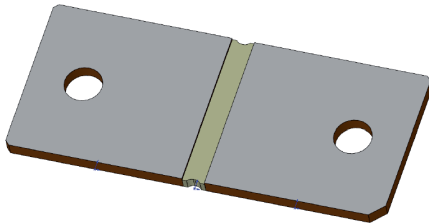




## ISA-WELD® // PRECISION RESISTORS

### BAN // SIZE 8436 (METRIC)

### PRELIMINARY VERSION



#### Features

- Up to 36 W permanent power (25  $\mu\text{Ohm}$ )
- Continuous current load up to 1200 A (25  $\mu\text{Ohm}$ )
- High pulse power rating
- Available with nickel-tin-plating
- AEC-Q200 qualification in preparation
- Shunt with tinned terminals



#### Applications

- Current sensor for EBM (Electronic Battery Management) in motorcars, trucks, hybrid and high voltage electric vehicles
- Current sensing in bus bars
- Current sensing in welding equipments

#### Technical data

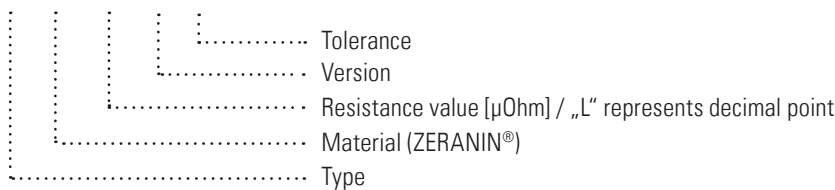
Resistance values	$\mu\text{Ohm}$	25*
Tolerance (initial)	%	5
Temperature coefficient (20-60 °C)**	ppm/K	<100
Applicable temperature range	°C	-40 to +170
Power rating	W	up to 36
Internal heat resistance ( $R_{\text{thi}}$ )	K/W	0.8
Thermal EMF (0-100 °C)	$\mu\text{V/K}$	<1 (ZERANIN®30)
Stability (Nominal load) deviation after 2,000 h		<0.5 % ( $T_K = 110\text{ °C}$ )
$T_K$ = Terminal temperature		<1.0 % ( $T_K = 140\text{ °C}$ )

\*Further values on request.

\*\*The temperature coefficient is given for the temperature range from 20 to 60 °C, as the R(T) curve corresponds to a non-linear function.

#### Ordering code example

BAN - Z - L025 - V01- 5.0



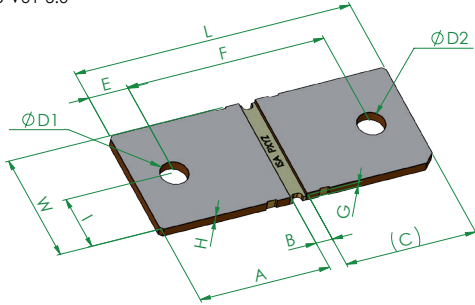
#### Packaging Information

85 pcs. per tube

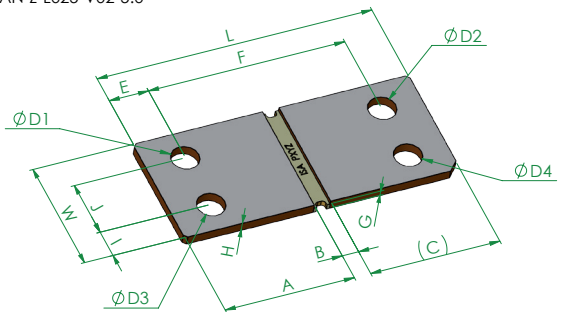


**Mechanical dimensions [mm] // Z-YP-473c**

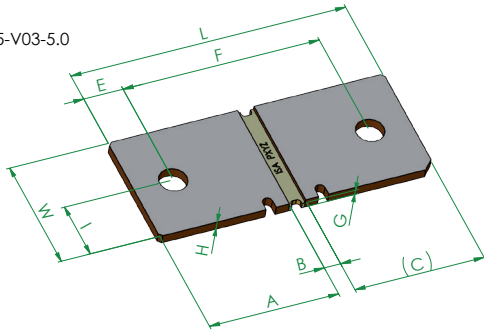
BAN-Z-L025-V01-5.0



BAN-Z-L025-V02-5.0



BAN-Z-L025-V03-5.0



type	A	B	C	D1	D2	D3	D4	E	F	G	H	I	J	L	W
BAN-Z-L025-V01-5.0	39,5	5	39,5	8,3	8,3			12	60	1,8	3	18		84	36
BAN-Z-L025-V02-5.0	39,5	5	39,5	8,3	8,3	8,3	8,3	12	60	1,8	3	9	18	84	36
BAN-Z-L025-V03-5.0	39,5	5	39,5	8,3	8,3			12	60	1,8	3	18		84	36

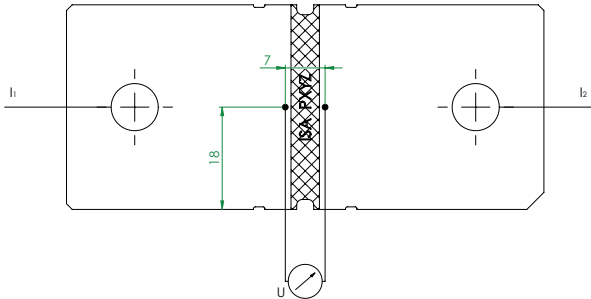
**Specification**

Type	Value [ $\mu\text{Ohm}$ ]	$R_{\text{thi}}$ [K/W]	TCR [ppm/K]	$P_{140^\circ\text{C}}$ [W]	Note
BAN-Z-L025-V01-5.0 BAN-Z-L025-V02-5.0	25	0.8	50 $\pm$ 50	36	C-samples available
BAN-Z-L025-V03-5.0	25	0.8	0 $\pm$ 50	36	C-samples available

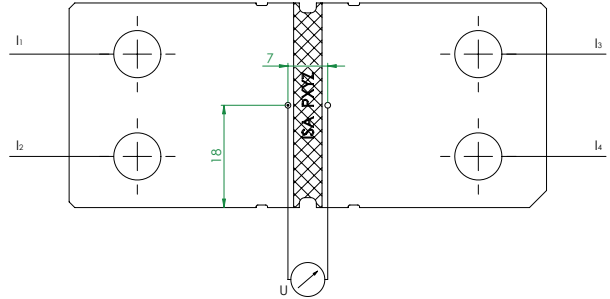


Connection diagram

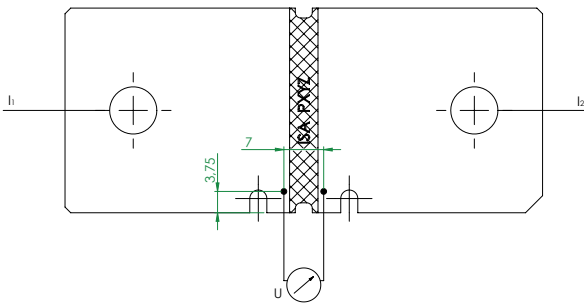
BAN-Z-L025-V01-5.0



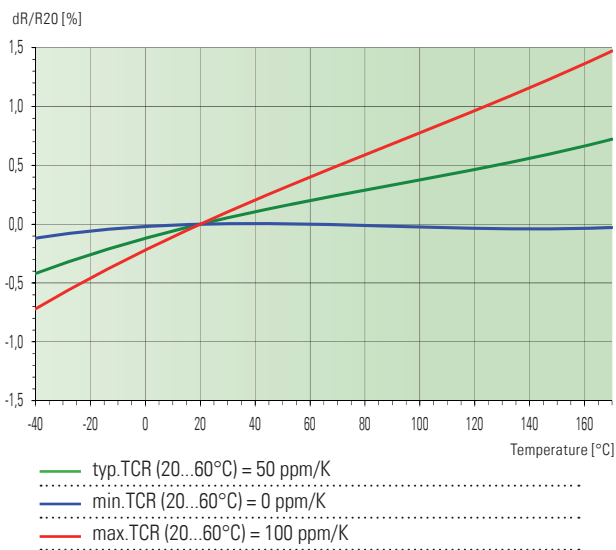
BAN-Z-L025-V02-5.0



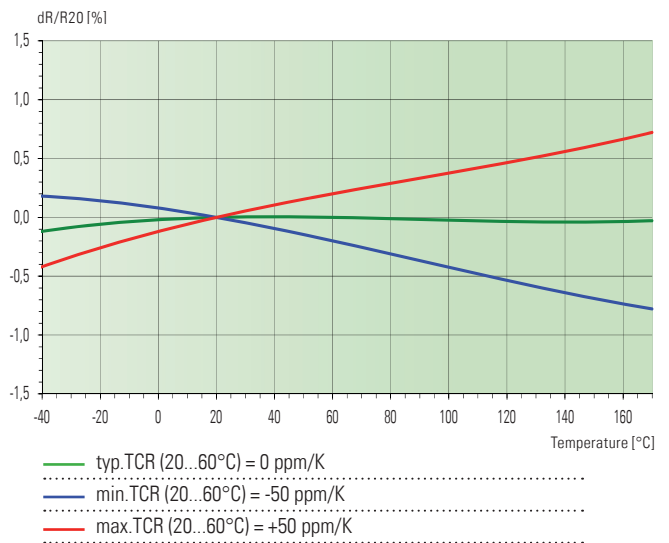
BAN-Z-L025-V03-5.0



Temperature dependence of the electrical resistance  
Type V01 // V02



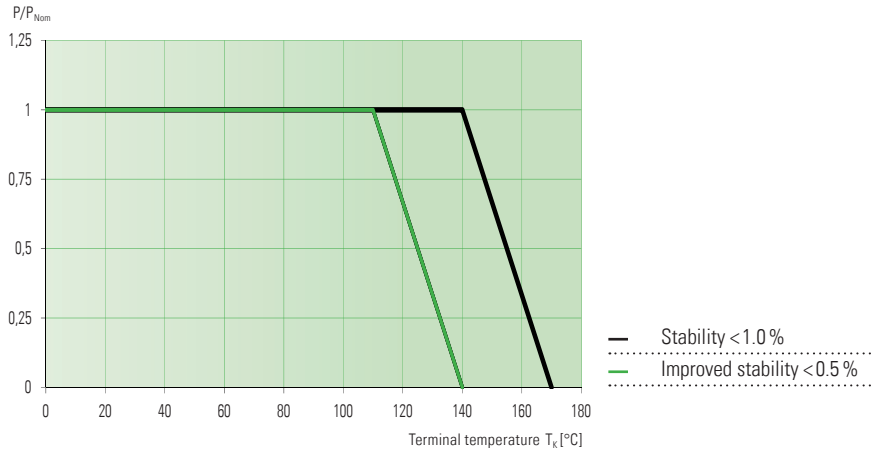
Temperature dependence of the electrical resistance  
Type V03





BAN // SIZE 8436 (METRIC)

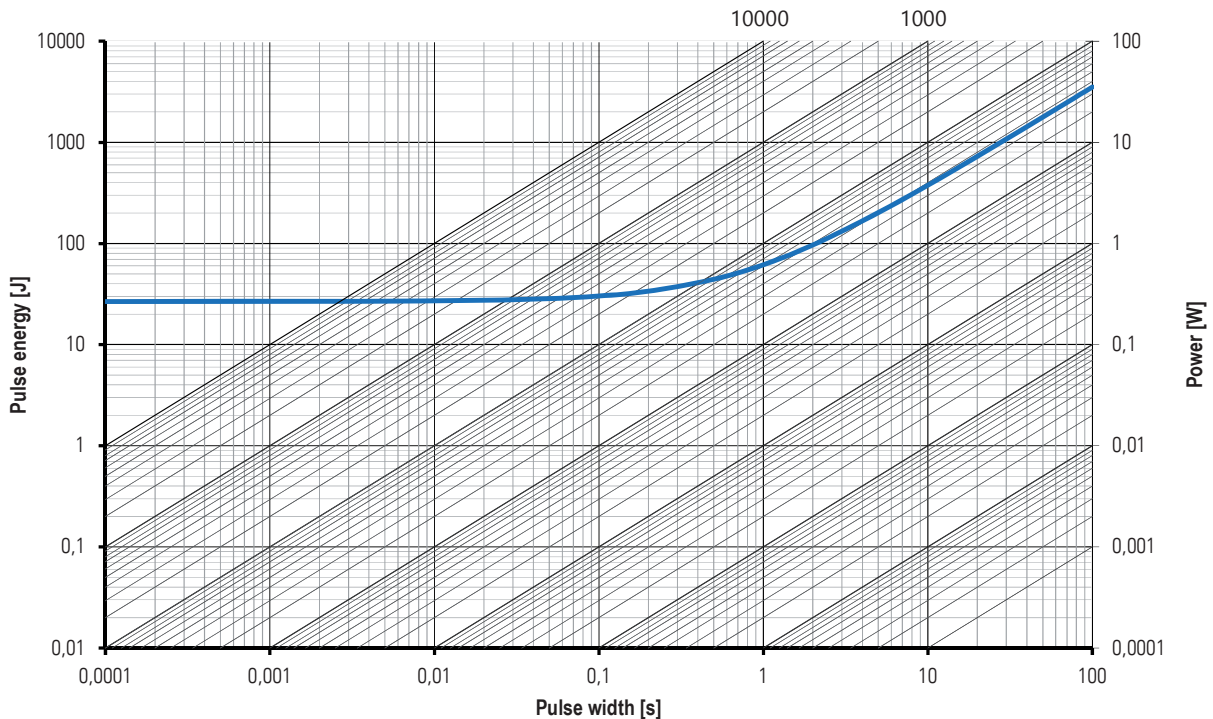
Power derating curve



Maximum pulse energy respectively pulse power for permanent operation

BAN-Z-L025

Maximum pulse energy / power for continuous operation



**Disclaimer** // All products, product specifications and data are subject to change without notice. The product specifications do not expand or otherwise modify Isabellenhütte's terms and conditions of sale, including but not limited to, the warranty expressed therein. Isabellenhütte makes no warranty, representation or guarantee other than as set forth in its terms and conditions of sale. Information provided in datasheets and/or specifications may vary from actual results in different applications. Any statements made by Isabellenhütte regarding the suitability of products for certain types of applications are based on its knowledge of typical requirements that are often placed on its products. It is the customer's responsibility to validate that a particular product with the properties described in the product specification is suitable for use in the application intended. No license, express or implied, or otherwise, to any intellectual property rights is granted by this document. Any and all liability arising out of the application or use of any product shall be as set forth in Isabellenhütte's terms and conditions of sale.

