

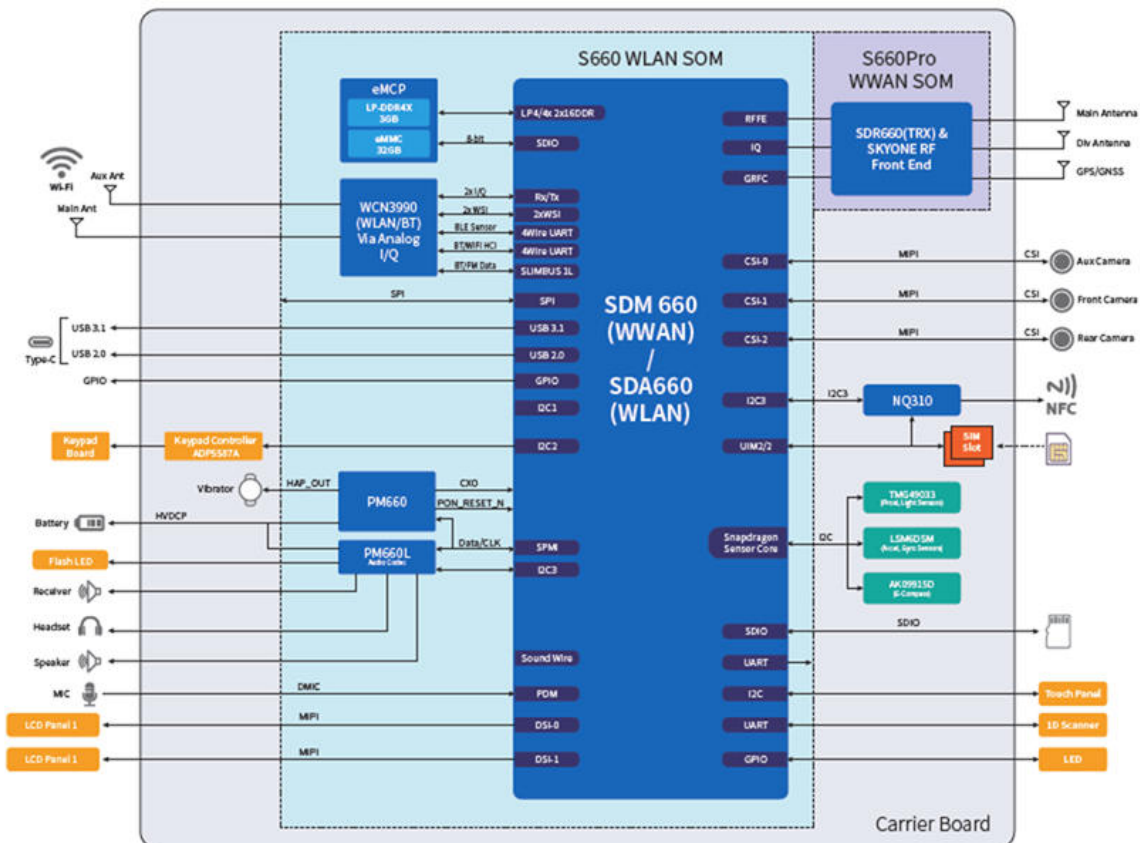
Thundercomm TurboX™ D660/D660Pro SOM General SPEC

Thundercomm TurboX™ D660/D660Pro SOM is a highly integrated System On module (SOM) which integrates system features with Qualcomm SDA660/SDM660 Processor, Memory, PMIC, Audio CODEC and multiple mode wireless connectivity. The D660Pro SOM is a multi-band Wireless WAN module with LTE-FDD/TDD, WCDMA, CDMA, GSM and GNSS features. It can help customers to get more value proposition to shorten product development cycle time and reduce development cost.

Major Target Markets



HW Block



D845 SOM General SPEC

| Category | Item | Description |
|--------------------|-----------------------------|--|
| Platform | Chipset | Qualcomm® Snapdragon™ SDA660/SDM660 |
| | CPU | 8x Qualcomm® Kryo™ 260 CPU ,Up to 2.2 GHz |
| | GPU | Qualcomm® Adreno™ 512 GPU, OpenGL® ES 3.2, Vulkan, DX12 FL 12, OpenCL 2.0 full profile |
| | DSP | Qualcomm® Hexagon™ 680 DSP |
| | OS | Android 9 |
| | Memory + Storage | LPDDR4x 3GB + eMMC 32GB/ LPDDR4x 4GB + eMMC 64GB |
| Multimedia | Display | 2x MIPI-DSI 4-lane, Up to 2560 × 1600 10 bit at 60 Hz |
| | Camera | Qualcomm Spectra™ 160 Camera ISP: Dual 14-bit ISPs, 3x MIPI-CSI 4-lane, up to 25MP single or 16MP dual cameras |
| | Decode | 4K30 8 bit VP9/H264/VP8/MPEG4 and 10 bit HEVC |
| | Encode | 4K30 HEVC/H264/VP8/MPEG4 |
| Connectivity | Wi-Fi/BT | 802.11a/b/g/n/ac 2.4/5Ghz 2×2 MIMO & Bluetooth 5.0 |
| | Wireless WAN (D660Pro Only) | SDR660 Transceiver, Downlink Carrier Aggregation (2CA) 1 SKU to support worldwide bands • GSM / WCDMA / CDMA / LTE-FDD / LTE-TDD • GPS/GLONASS/Beidou/Galileo |
| Interface | Interface | 1 X USB 3.1, 1 X USB 2.0, 1 X SDIO 3.0, 2 X UIM , 1 X JTAG, 1 X Vibrator Driver, 3 X Flash LED Driver , 3 X LED Driver, 7 X BLSP, GPIO |
| Dimension | Size | D660: 40 x 35 x 2.89 mm D660Pro:40 x 55 x 2.89 mm |
| System Environment | Power | +4.2V/3A input |
| | Operating Temperature | -20 °C ~ 70 °C |
| | Storage Temperature | -30 °C ~ 85 °C |
| | Relative Humidity | 5%~95%, non-condensing |

