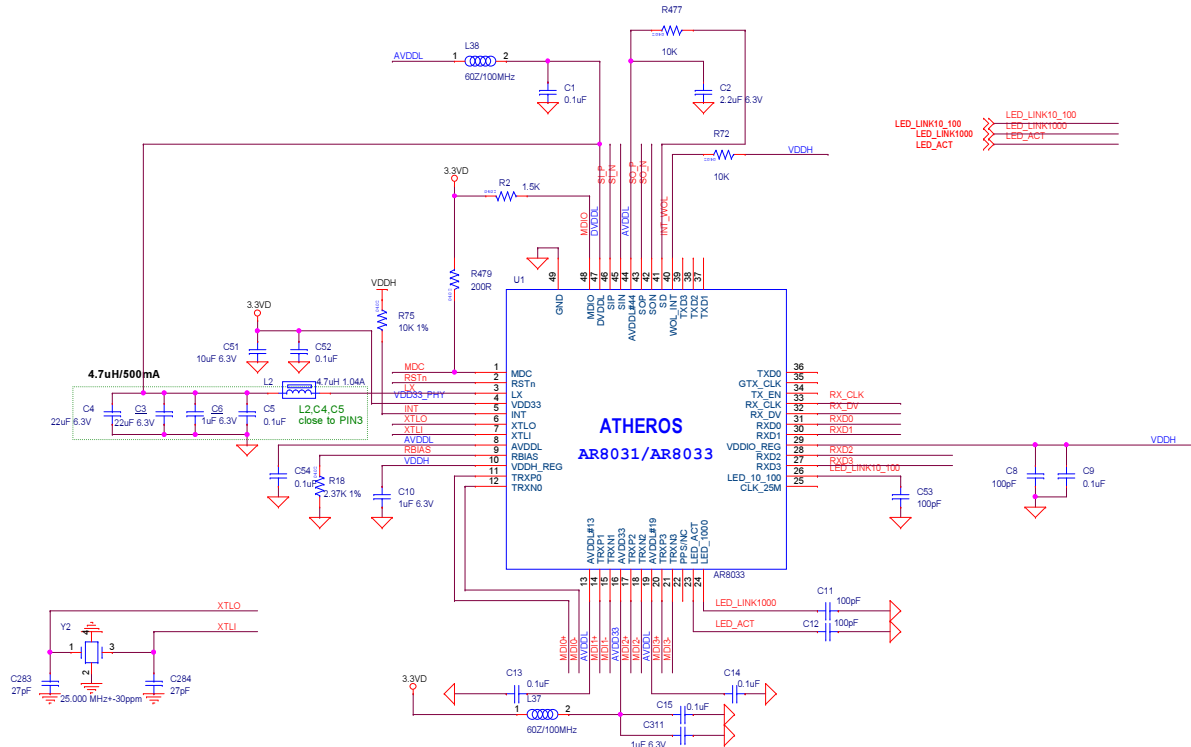
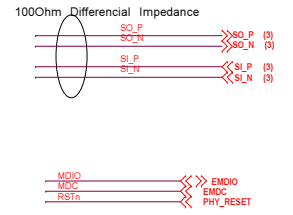


<b>8DEVICES</b>		Approval	
		Drawing	
Title <b>Ethernet_internal</b>			
Size A4	Document Number 8DEV1401_0006	Rev 6.0	
Date:	Friday, November 04, 2016	Sheet	1 of 6



**SGMII/SerDes interface**

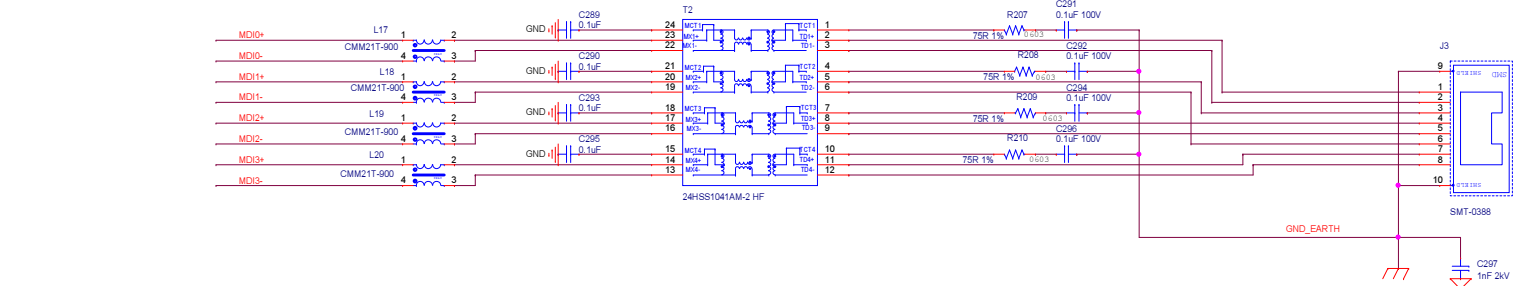
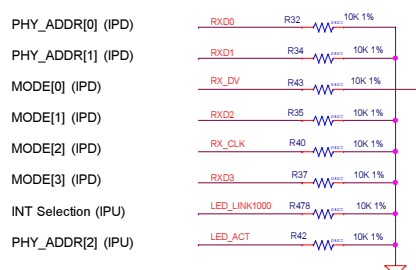


**MODE[3:0]**

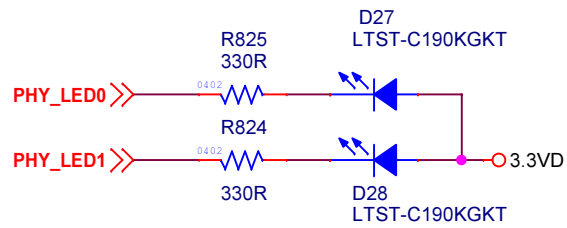
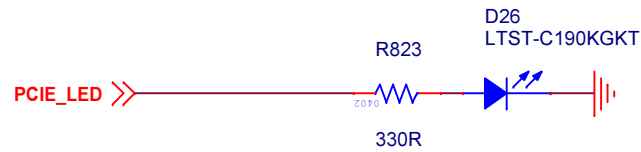
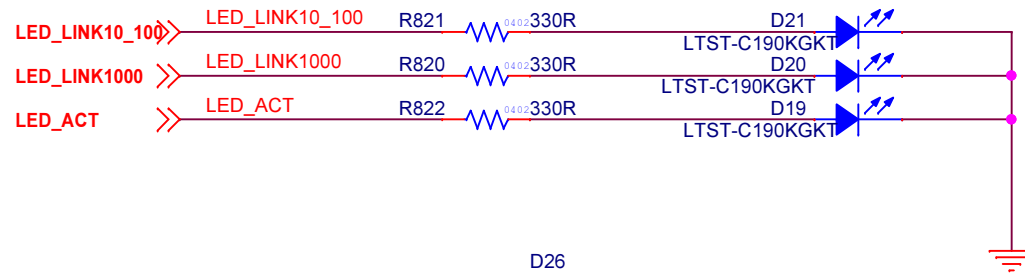
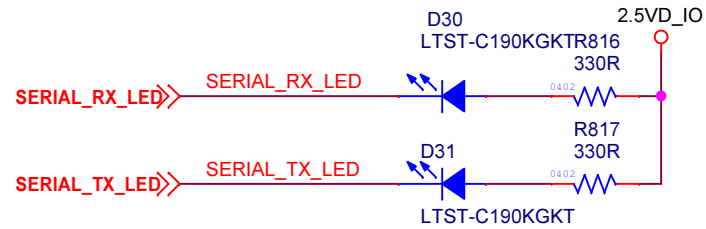
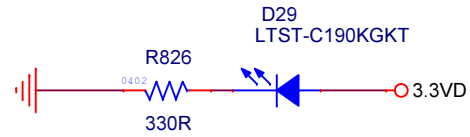
- 1011 Auto-Media Selection (In schematic)
- 0000 100BASE-T, RGMII, 50;
- 0001 100BASE-T, SGMII;
- 0010 100BASE-X, RGMII, 50;
- 0011 100BASE-X, RGMII, 75;
- 0100 100M Converter, 50;
- 0101 100M Converter, 75;
- 0110 100BASE-FX, RGMII, 50;
- 0111 100M Converter, 50;
- 1110 100BASE-FX, RGMII, 75;
- 1111 100M Converter, 75;

PHY Address: 5b'00000

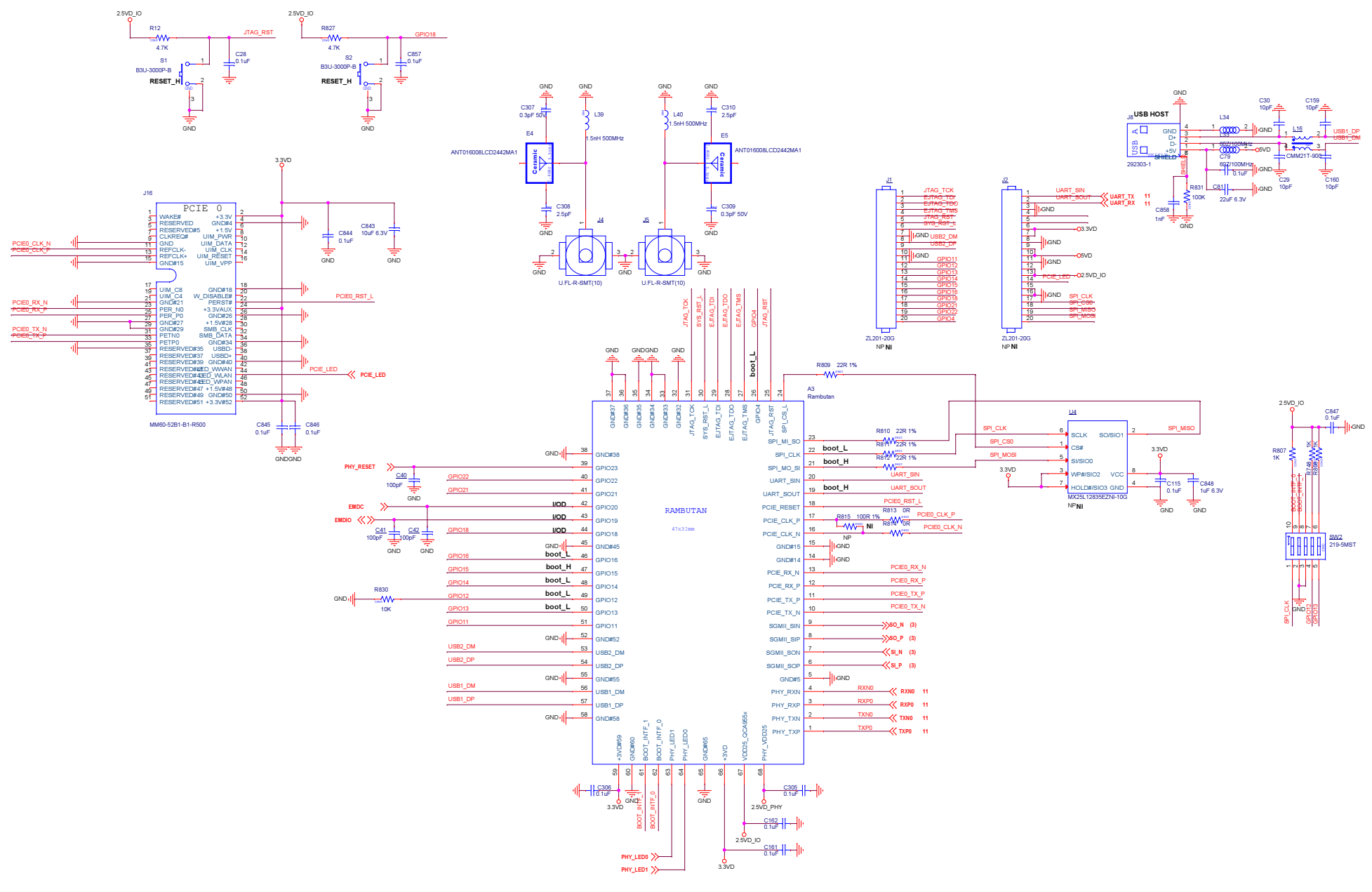
**Power-on Strapping Pins**



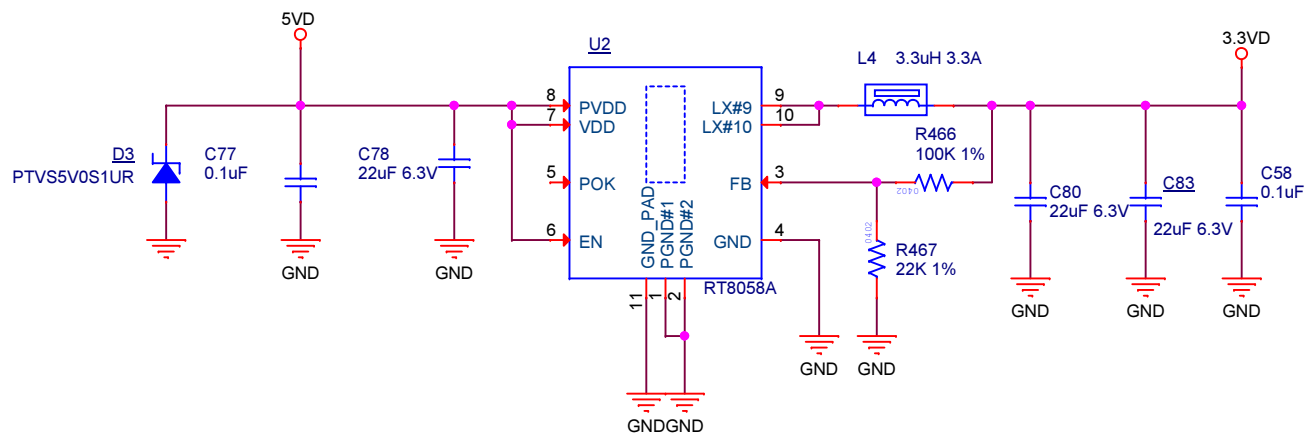
<b>8DEVICES</b>		Approval	
		Drawing	
Title <b>Ethernet_PHY</b>			
Size C	Document Number 8DEVI401_0006	Rev 6.0	
Date:	Friday, November 04, 2016	Sheet	2 of 6



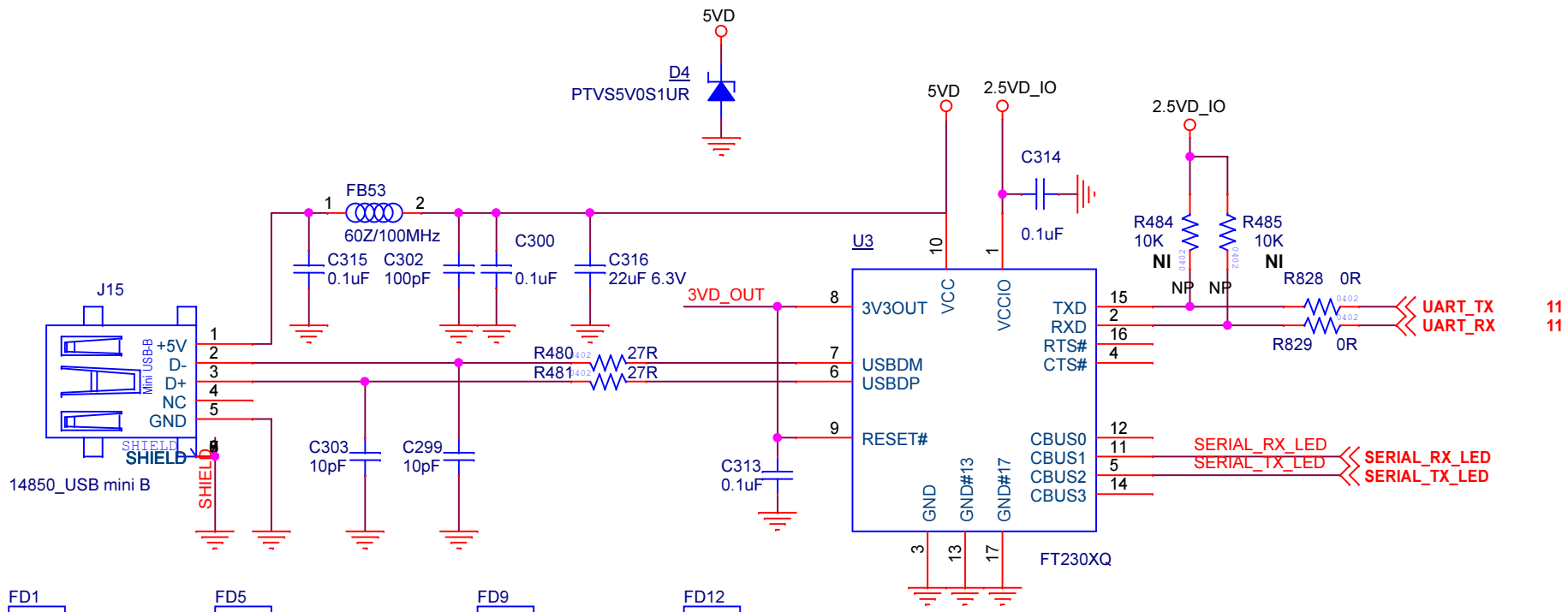
<b>8DEVICES</b>		Approval	
		Drawing	
Title <b>Leds</b>			
Size A	Document Number 8DEV1401_0006	Rev 6.0	
Date:	Friday, November 04, 2016	Sheet	3 of 6



<b>8DEVICES</b>		Approval	
		Drawing	
Title <b>MainBoard</b>			
Size	Document Number	Rev	
A2	8DEV1401_0006	6.0	
Date: Friday, November 04, 2016		Sheet 4 of 6	



<b>8DEVICES</b>	Approval	
	Drawing	
Title <b>Power</b>		
Size A4	Document Number 8DEV1401_0006	Rev 6.0
Date:	Friday, November 04, 2016	Sheet 5 of 6



- FD1  
Fiducial S3\_D1.5PRN
- FD2  
Fiducial S3\_D1.5PRN
- FD3  
Fiducial S3\_D1.5PRN
- FD4  
Fiducial S3\_D1.5PRN
- FD5  
Fiducial S3\_D1.5PRN
- FD6  
Fiducial S3\_D1.5PRN
- FD7  
Fiducial S3\_D1.5PRN
- FD8  
Fiducial S3\_D1.5PRN
- FD9  
Fiducial S3\_D1.5
- FD10  
Fiducial S3\_D1.5
- FD11  
Fiducial S3\_D1.5
- FD12  
Fiducial S3\_D1.5
- FD13  
Fiducial S3\_D1.5
- FD14  
Fiducial S3\_D1.5

<b>8DEVICES</b>		Approval	
		Drawing	
Title <b>USB-serial</b>			
Size A	Document Number 8DEV1401_0006	Rev 6.0	
Date: Friday, November 04, 2016		Sheet	6 of 6