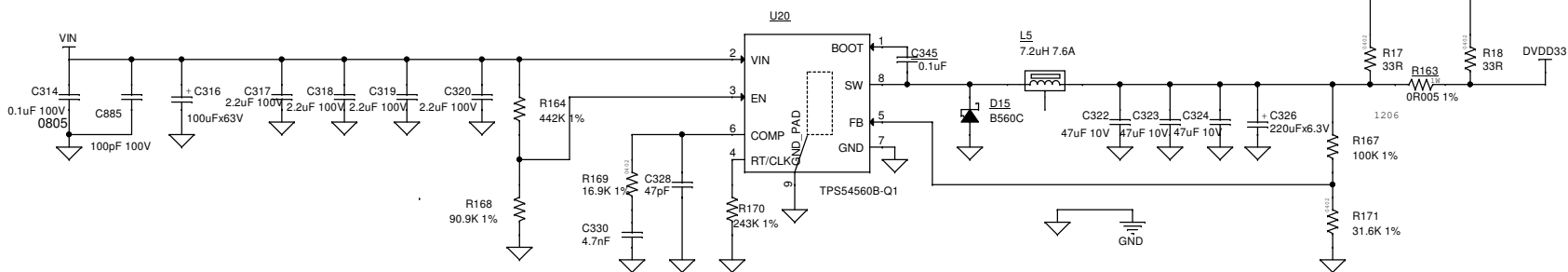
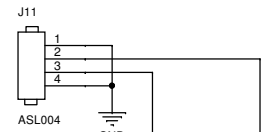
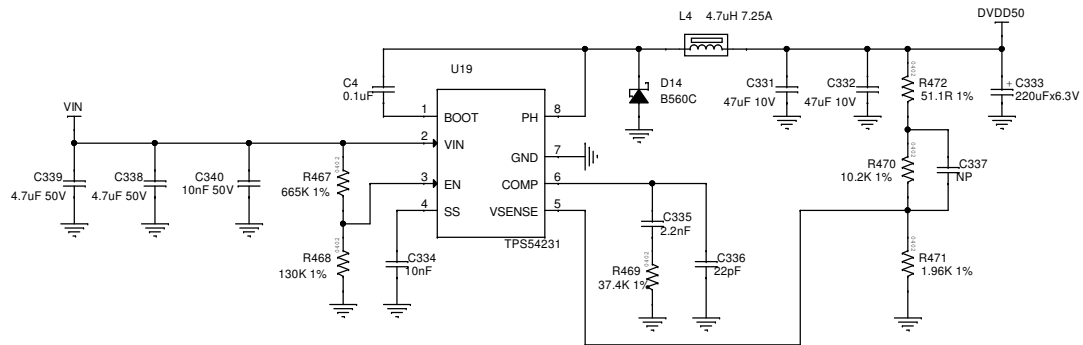
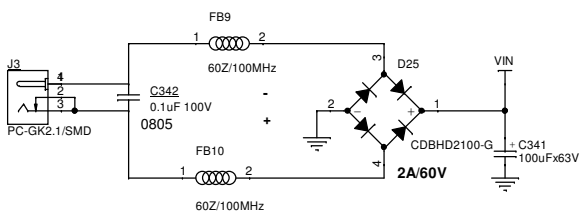


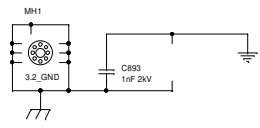
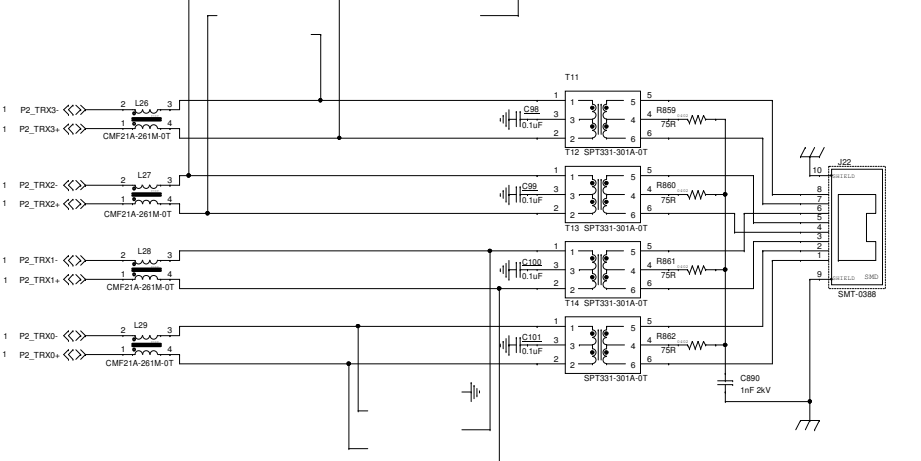
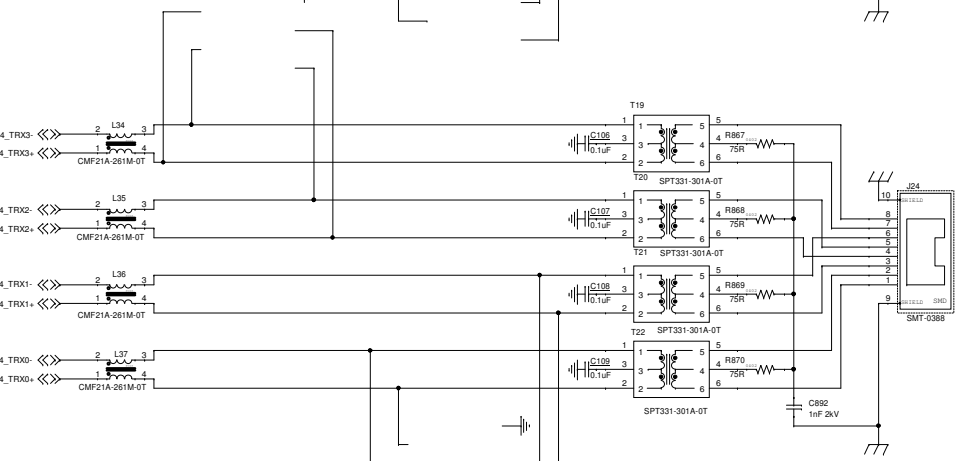
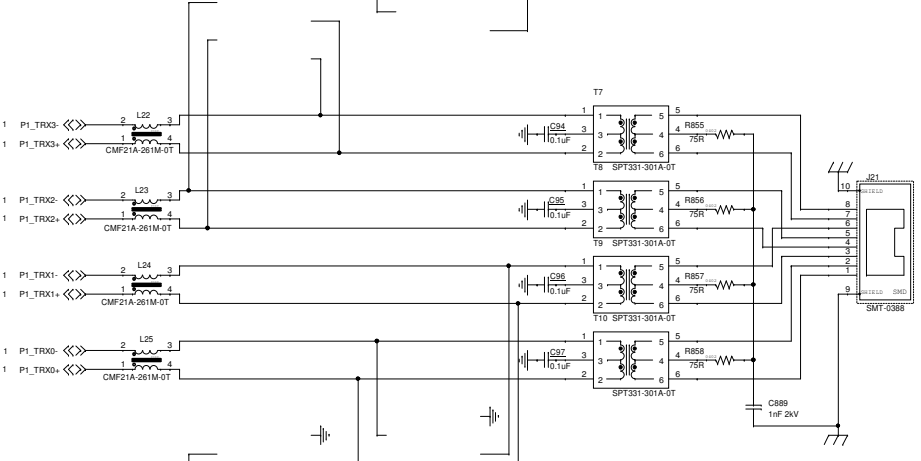
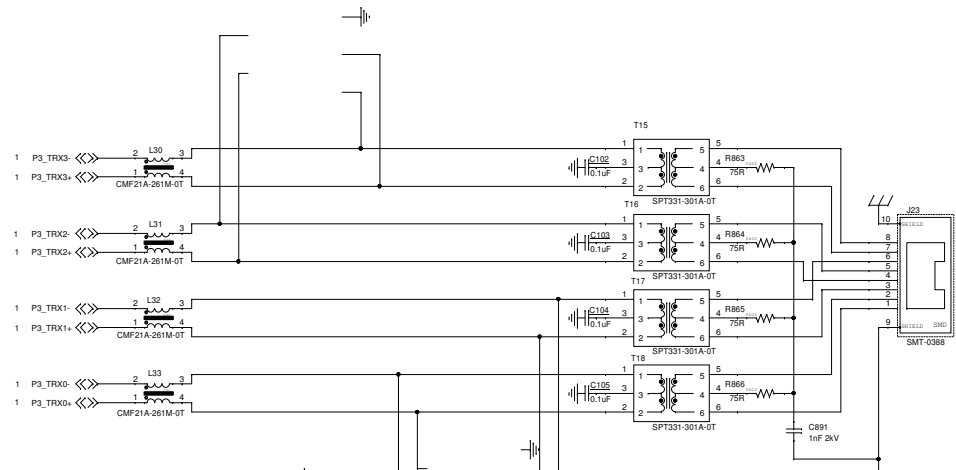
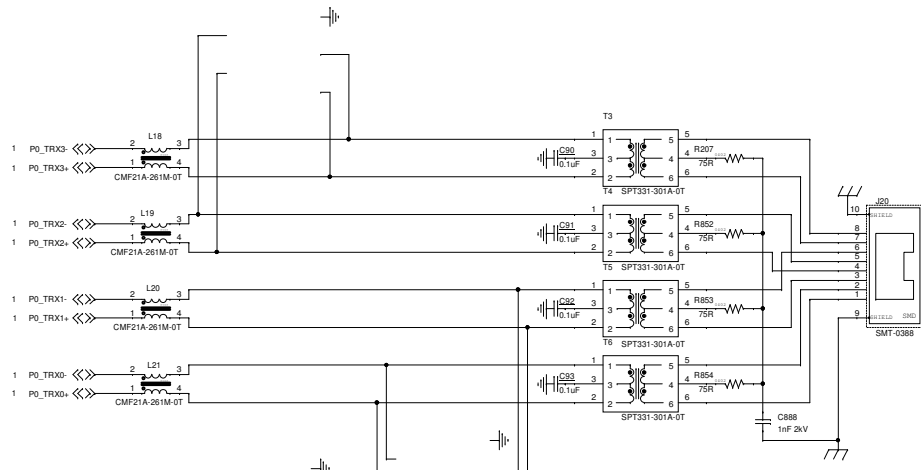
8DEVICES		Approved	Egiteka Sdn Bhd
File	01_Pcb	Design	Ricardo Morales
Item	Document Number		
D	8DEV001_0003_08		
Date	Thursday, May 14, 2015	09:01	01 of 3



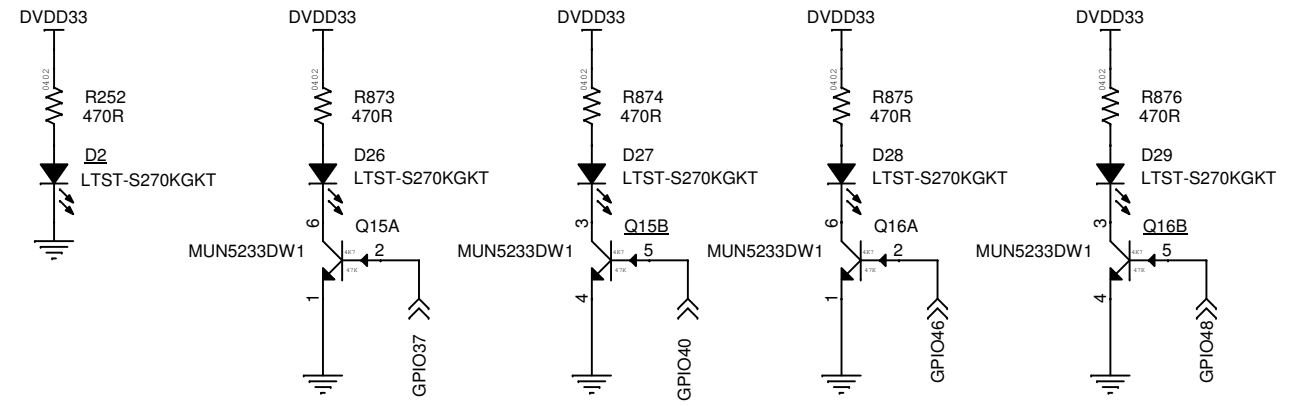
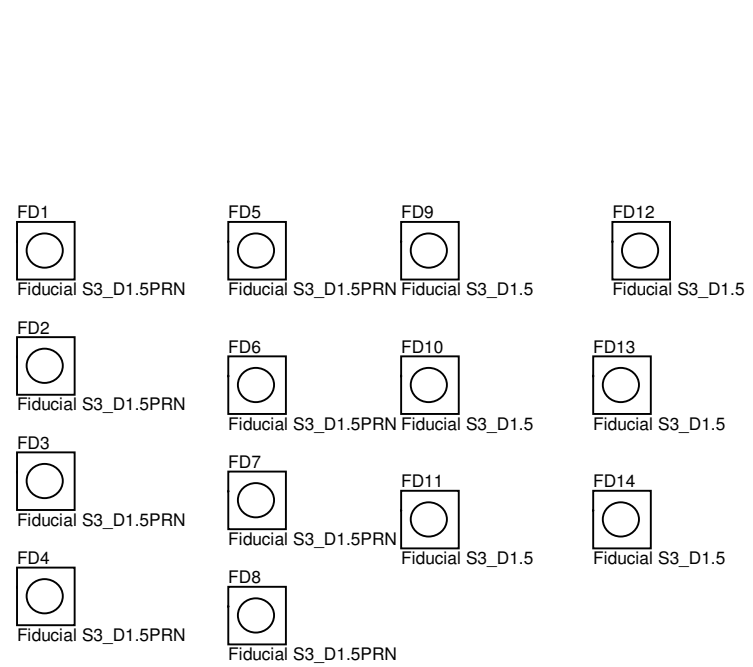
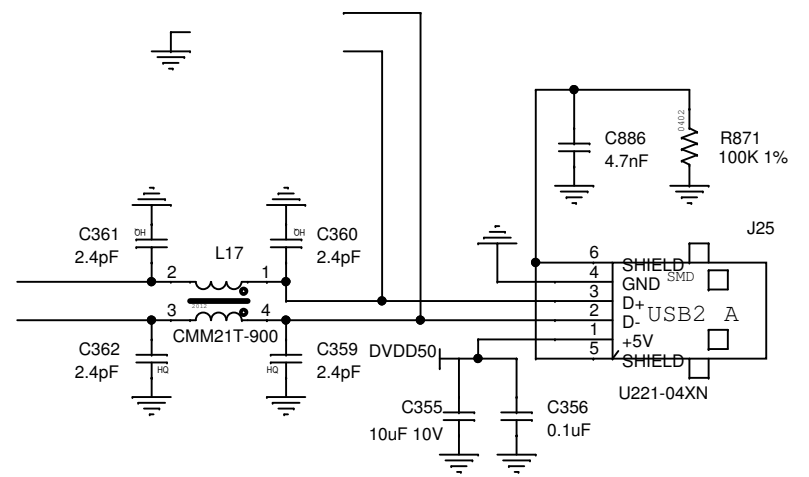
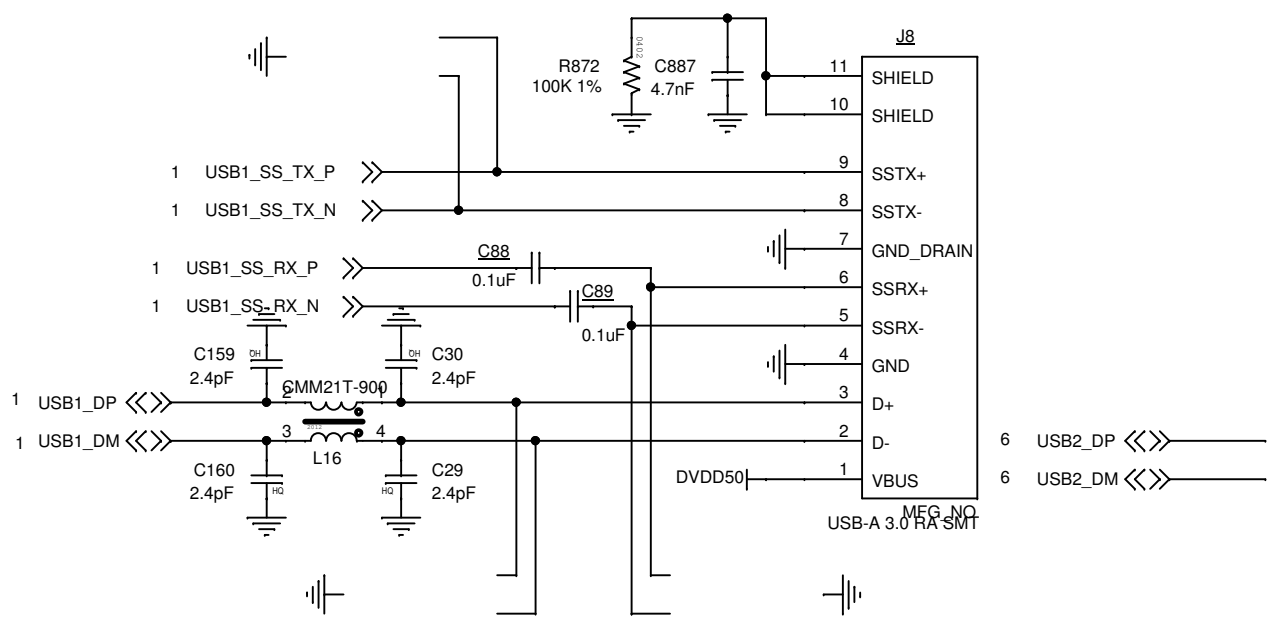
NINIGI PC-GK2.1/SMD  
Socket; DC supply; male; 5,5/2,1mm; 5,5mm; 2,1mm; SMT; 3A



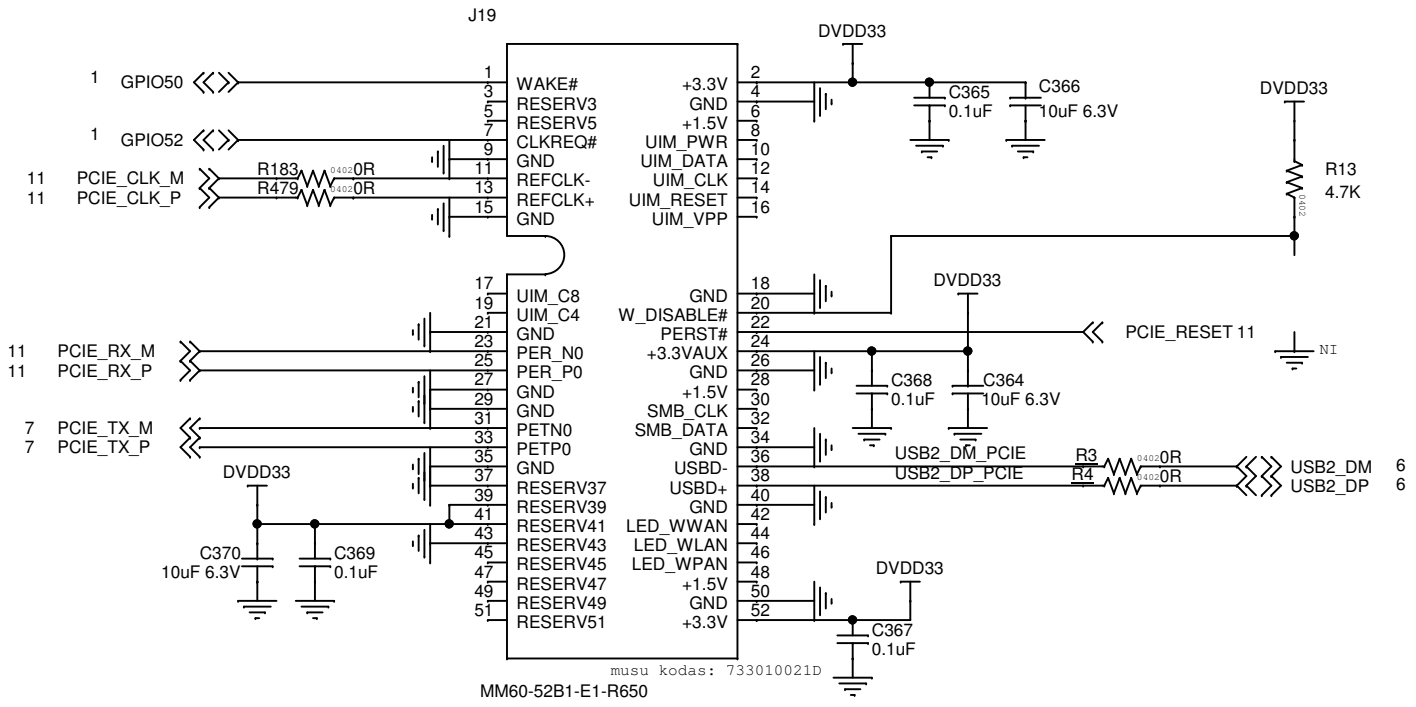
	<b>8DEVICES</b>	Approval	Egklijus Sideka
		Drawing	Ricardas Morkvenas
Title: 02-PowerSupply			
Size: A3	Document Number: 8DEV6001_0003_SB	Rev: 3.0	
Date: Thursday, May 16, 2019	Sheet 2		of 5



<b>8DEVICES</b>		Approval	Egrėjus Sidėika
Title		Drawing	Ricardas Morkvenas
03-Ethernet			
Size	Document Number	Rev	
A2	8DEVE001_0003_SE	3.0	
Date:	Thursday, May 16, 2019	Sheet	3 of 5



<b>8DEVICES</b>		Approval	Egidijus Sideika
		Drawing	Ricardas Morkvenas
Title 04-USB			
Size A4	Document Number 8DEV6001_0003_SB		Rev 3.0
Date Thursday, May 16, 2019	Sheet 4		of 5



<b>8DEVICES</b>		Approval	Egidijus Sideika
		Drawing	Ricardas Morkvenas
Title 05-PCIE			
Size A4	Document Number 8DEV6001_0003_SB		Rev 3.0
Date Thursday, May 16, 2019		Sheet 5	of 5