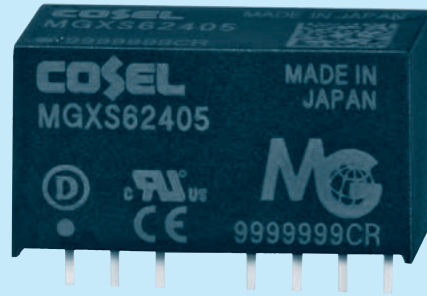


MGXS6

MGX S 6 24 05 -□

① ② ③ ④ ⑤ ⑥



- ① Series name
- ② Single output
- ③ Output wattage
- ④ Input voltage
- ⑤ Output voltage
- ⑥ Optional
- Y2: Output voltage adjustable (+10%, -5%)

| MODEL | MGXS6243R3 | MGXS62405 | MGXS62412 | MGXS62415 |
|-----------------------|------------|-----------|-----------|-----------|
| MAX OUTPUT WATTAGE[W] | 5.28 | 6.0 | 6.0 | 6.0 |
| DC OUTPUT | VOLTAGE[V] | 3.3 | 5 | 12 |
| | CURRENT[A] | 1.6 | 1.2 | 0.5 |

SPECIFICATIONS

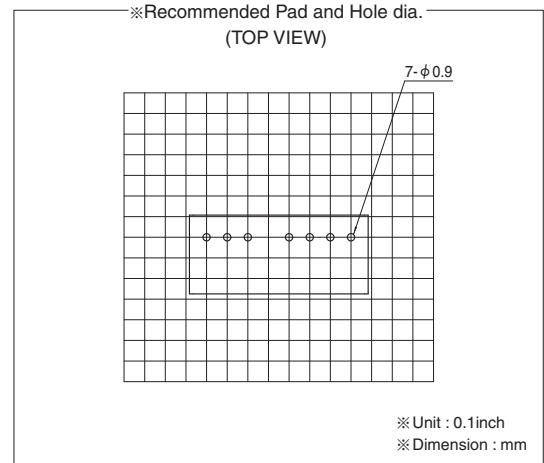
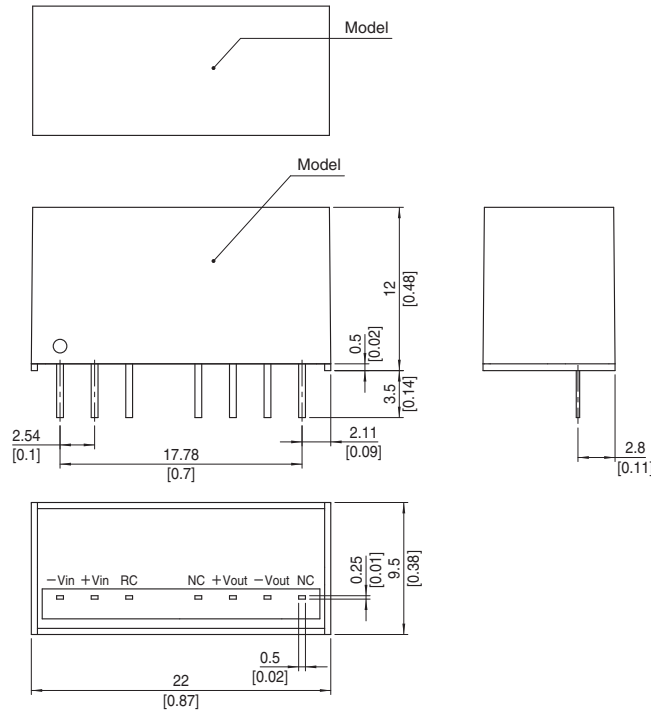
| | MODEL | MGXS6243R3 | MGXS62405 | MGXS62412 | MGXS62415 | |
|-------------------------------|----------------------------|---|----------------|---------------|---------------|--------|
| INPUT | VOLTAGE[V] | DC6 - 60 (Surge voltage 76V, 100ms max) (Refer to the instruction manual for input voltage derating.) | | | | |
| | CURRENT[A] | *1 0.26typ | 0.29typ | 0.29typ | 0.29typ | |
| | EFFICIENCY[%] | *1 85typ | 88typ | 87typ | 87typ | |
| OUTPUT | VOLTAGE[V] | 3.3 | 5 | 12 | 15 | |
| | CURRENT[A] | 1.6 | 1.2 | 0.5 | 0.4 | |
| | LINE REGULATION[mV] | 20max | 20max | 48max | 60max | |
| | LOAD REGULATION[mV] | 20max | 20max | 48max | 60max | |
| | RIPPLE[mVp-p] | *2 | Io=30% - | 75max | 75max | 100max |
| | | | Io=0 - 30% | 225max | 225max | 300max |
| | | | Vin=DC48 - 60V | 225max | 225max | 300max |
| | RIPPLE NOISE[mVp-p] | *2 | Io=30% - | 120max | 120max | 150max |
| | | | Io=0 - 30% | 300max | 300max | 400max |
| | | | Vin=DC48 - 60V | 300max | 300max | 400max |
| | TEMPERATURE REGULATION[mV] | -20 to +75°C | 50max | 50max | 150max | 180max |
| | -40 to +75°C | 80max | 80max | 240max | 290max | |
| DRIFT[mV] | *3 | 20max | 20max | 48max | 60max | |
| START-UP TIME[ms] | | 30max | | | | |
| OUTPUT VOLTAGE SETTING[V] | | 3.21 - 3.42 | 4.90 - 5.21 | 11.64 - 12.36 | 14.55 - 15.45 | |
| PROTECTION CIRCUIT AND OTHERS | OVERCURRENT PROTECTION | Works over 105% of rating and recovers automatically | | | | |
| | REMOTE ON/OFF | Provided (Negative logic L : ON, H : OFF) | | | | |

GENERAL SPECIFICATIONS

| | | |
|-------------|--------------------------------------|--|
| ISOLATION | INPUT-OUTPUT | DC1,500V or AC1,000V 1minute, Cutoff current=10mA, DC500V 1,000MΩ min (20±15°C) |
| ENVIRONMENT | OPERATING TEMP., HUMID. AND ALTITUDE | -40 to +85°C, 20 to 95%RH (Non condensing) (Required derating), 5,000m (16,400feet) max |
| | STORAGE TEMP., HUMID. AND ALTITUDE | -40 to +100°C, 20 to 95%RH (Non condensing), 9,000m (30,000feet) max |
| | VIBRATION | 10 - 55Hz 98.0m/s ² (10G), 3minute period, 60minutes each along X, Y and Z axis |
| | IMPACT | 490.3m/s ² (50G) 11ms, once each along X, Y and Z axis |
| SAFETY | AGENCY APPROVALS | UL60950-1, C-UL, EN60950-1 |
| OTHERS | CASE SIZE/WEIGHT | 22.0 × 12.0 × 9.5mm [0.87 × 0.48 × 0.38 inches] (W × H × D) / 7g max |
| | COOLING METHOD | Convection/Forced air |

- *1 Rated input 24V DC Io=100%
- *2 Ripple and ripple noise is measured by using test board with ceramic capacitor 1μF at 50mm from output pins.
- *3 Drift is the DC output accuracy for eight hours period after a half-hour warm-up at 25°C.
- * Parallel operation with other model is not possible.
- * MGXW62412/MGXW62415 is available as single output, +24V/+30V

External view



- ※ Tolerance ± 0.5 [± 0.02]
- ※ Dimensions in mm, []= inches
- ※ Pin terminal material : Copper
- ※ Plating treatment of terminal : Lead free plating
- ※ Case material : PBT
- ※ Weight 7g max

