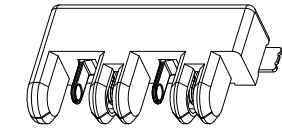
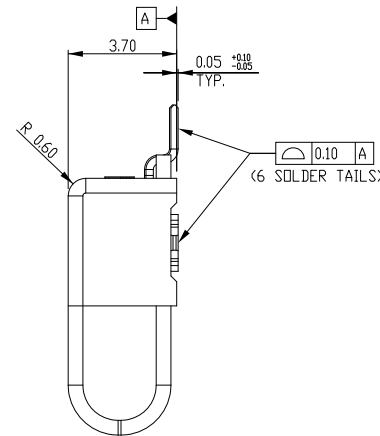
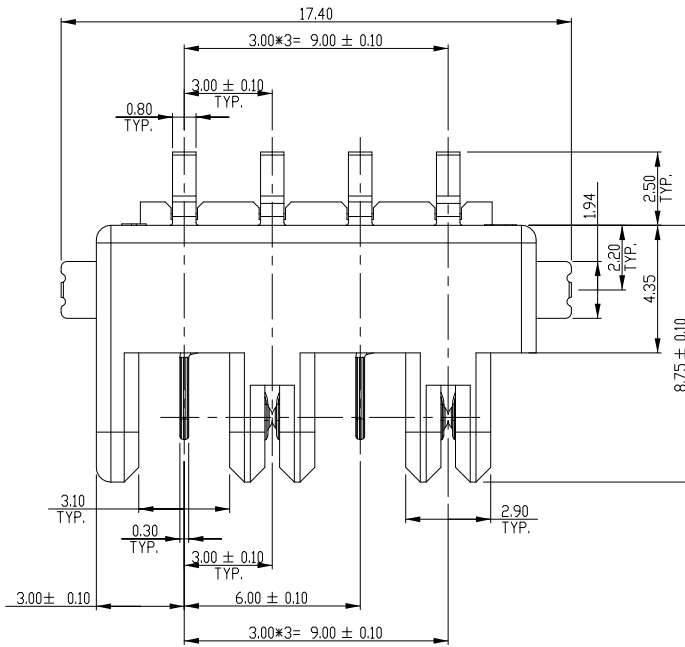
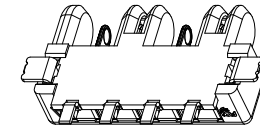


PART NUMBER  
10120045-400LF

\*\*\* Please contact [Barbara.Maier@codico.com](mailto:Barbara.Maier@codico.com) to get more information! \*\*\*



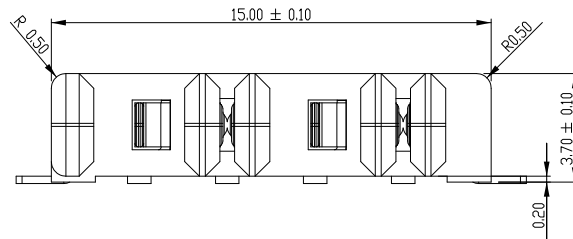
SCALE 2,000



SCALE 2,000

NOTES:

- MATERIAL:  
HOUSING: HIGH TEMPERATURE LCP, NATURAL UL 94 V-0 FLAME RETARDANT.  
CONTACTS: COPPER ALLOY.  
PLATING SPEC AS BELOW:  
FOR CONTACT AREA:  
\* 0.76um GXT™ (30°GXT™);  
FOR SOLDER AREA:  
MATTE PURE TIN 3 um MIN.  
FOR UNDERPLATING:  
1.27 um MIN. THICKNESS NICKEL
- PRODUCT SPEC. GS-12-1079.
- LEAD FREE NOTES:  
3a. THE HOUSING WILL WITHSTAND EXPOSURE TO 260°C PEAK TEMPERATURE FOR 10 SECONDS IN A CONVECTION, INFRA-RED OR VAPOR PHASE REFLOW OVEN.  
3b. THIS PRODUCT MEETS EUROPEAN UNION DIRECTIVES AND OTHER COUNTRY REGULATIONS AS DESCRIBED IN GS-22-008.  
\* GXT™ is an FCI Electronics patented process of palladium-nickel alloy plated with a gold flash.



SCALE 4,000

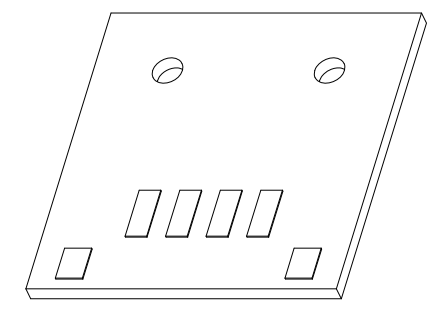
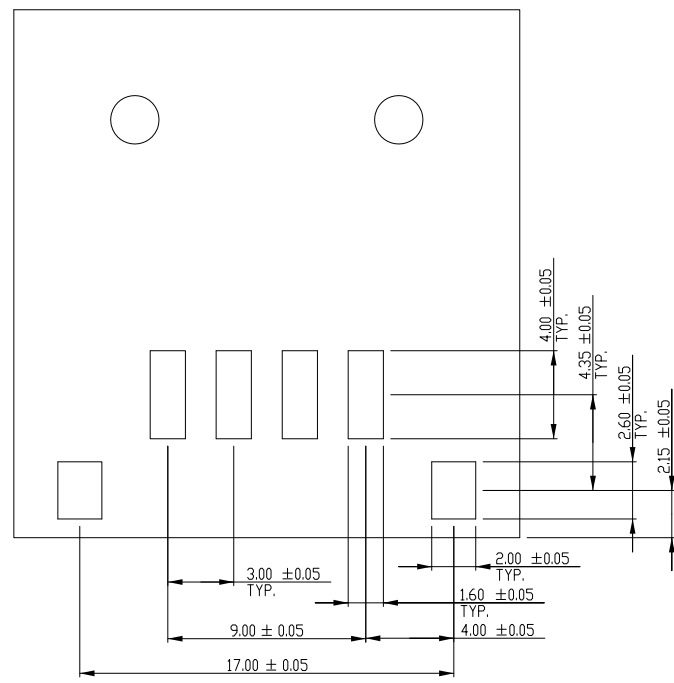


Copyright FCI.

rev	ecn no	dr	date
A	-	MJA	2013-06-10
-	-	-	-
-	-	-	-
-	-	-	-
-	-	-	-
-	-	-	-

www.fciconnect.com			surface ISO 1302	tolerance std ISO 406 ISO 1101	projection MM	MM
			TOLERANCES UNLESS OTHERWISE SPECIFIED			
Dr	M JACOB	2013-06-10	ANGULAR	0.X ±X	size	Scale 4,000
Eng	M JACOB	2013-06-10	LINEAR	0.XX ±0.2	A4	
Chr	M JACOB	2013-06-10	0° ±2'	0.XXX ±X	ECN	-
Appr	BIJU K PAUL	2013-06-10	Product family-RotaConnect		Spec ref	-
FCI			title ASSEMBLY 4 POS HOR TYPE ROTATABLE BOARD TO BOARD CONNECTOR		dwg no	10120045-400C
			catalog no : 10120045-400LF		CUSTOMER DRAWING	sheet 1 of 3
					Rev.	A

PART NUMBER  
10120045-400LF



SCALE 2.000

SCALE 3.000

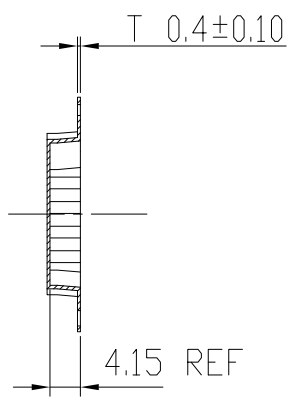


Copyright FCI.

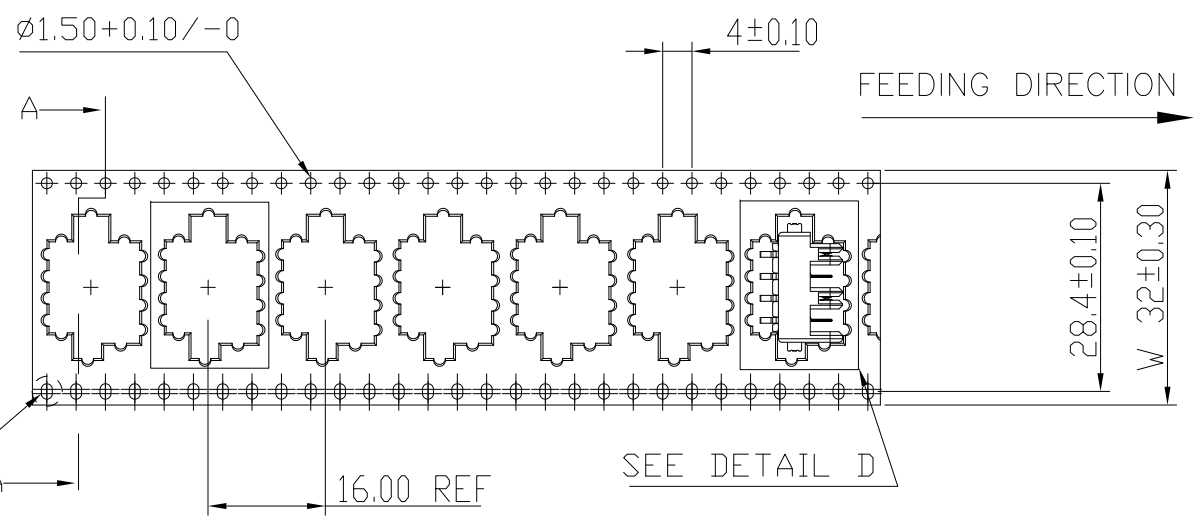
www.fciconnect.com			surface ISO 1302	<input checked="" type="checkbox"/>	tolerance std ISO 406 ISO 1101	projection ASME Y14.5	MM
TOLERANCES UNLESS OTHERWISE SPECIFIED			ANGULAR		LINEAR	size A4	Scale 3.000
Dr	M JACOB	2013-06-10	0.X	±X	size	ECN	-
Eng	M JACOB	2013-06-10	0.XX	±0.2	ECN	Spec ref	-
Chr	M JACOB	2013-06-10	0.XXX	±X	Product family	RotaConnect	-
Appr	BIJU K PAUL	2013-06-10	Product family-RotaConnect		Spec ref	-	-
FCI			title ASSEMBLY 4 POS HOR TYPE ROTATABLE BOARD TO BOARD CONNECTOR		dwg no 10120045-400C	Rev. A	
			catalog no : 10120045-400LF		CUSTOMER DRAWING	sheet 2 of 3	

rev	ecn no	dr	date
-	-	-	-
-	-	-	-
-	-	-	-
-	-	-	-
-	-	-	-
-	-	-	-

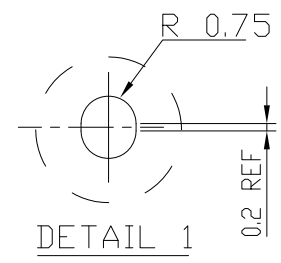
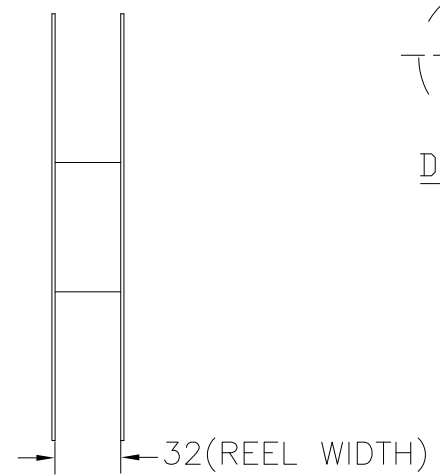
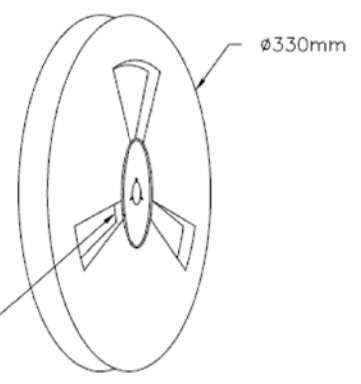
PART NUMBER  
10120045-400LF



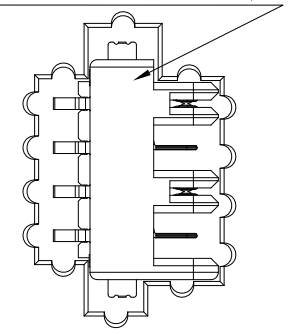
SECTION A-A



Copyright FCI.



Component inside carrier tape



DETAIL D  
SCALE 2:1

- NOTES :
1. MATERIAL : ANTI-STATIC POLYSTYRENE
  2. PACKAGING AS PER EIA-481 STD.
  3. QTY PER REEL : 975 NOS

www.fciconnect.com			surface ISO 1302	tolerance std ISO 406 ISO 1101	projection MM	MM
			TOLERANCES UNLESS OTHERWISE SPECIFIED		size A4	Scale 1.000
Dr	M JACOB	2013-06-10	ANGULAR	0.X	±X	
Eng	M JACOB	2013-06-10	LINEAR	0.XX	±0.2	
Chr	M JACOB	2013-06-10	0° ±2°	0.XXX	±X	ECN -
Appr	BIJU K PAUL	2013-06-10	Product family - RotaConnect		Spec ref -	
		title ASSEMBLY 4 POS HOR TYPE ROTATABLE BOARD TO BOARD CONNECTOR		dwg no 10120045-400C		Rev. A
		catalog no : 10120045-400LF		CUSTOMER DRAWING sheet 3 of 3		