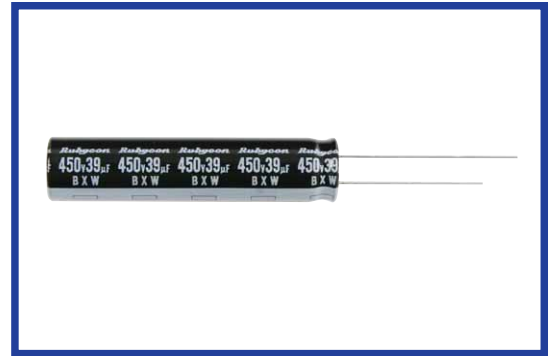


BXW SERIES
UPGRADE
105°C Long Life (10000 hours), Ultra Miniaturized
◆FEATURES

- Load Life : 105°C 10000 hours. (Temperature Range:-40°C~+105°C)
- Smaller size than the current TXW series.
- RoHS compliance.


◆SPECIFICATIONS

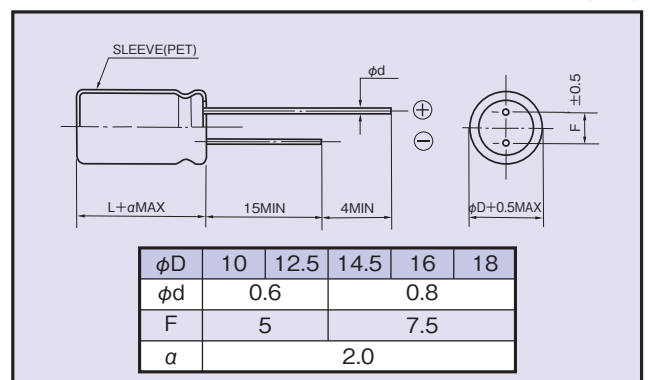
Items	Characteristics												
Category Temperature Range	-40~+105°C												
Rated Voltage Range	400~450V.DC												
Capacitance Tolerance	±20% (20°C, 120Hz)												
Leakage Current(MAX)	$I=3\sqrt{CV}$ (After 5 minutes application of rated voltage) I =Leakage Current(μ A) C =Capacitance(μ F) V =Rated Voltage(V)												
Dissipation Factor(MAX) (tan δ)	<table border="1"> <tr> <td>Rated Voltage (V)</td> <td>400</td> <td>420,450</td> <td>(20°C, 120Hz)</td> </tr> <tr> <td>tanδ</td> <td>0.20</td> <td>0.25</td> <td></td> </tr> </table>	Rated Voltage (V)	400	420,450	(20°C, 120Hz)	tan δ	0.20	0.25					
Rated Voltage (V)	400	420,450	(20°C, 120Hz)										
tan δ	0.20	0.25											
Endurance	<p>After applying rated voltage with rated ripple current for 10000 hours at 105°C, the capacitors shall meet the following requirements.</p> <table border="1"> <tr> <td>Capacitance Change</td> <td>Within ±20% of the initial value.</td> </tr> <tr> <td>Dissipation Factor</td> <td>Not more than 200% of the specified value.</td> </tr> <tr> <td>Leakage Current</td> <td>Not more than the specified value.</td> </tr> </table>	Capacitance Change	Within ±20% of the initial value.	Dissipation Factor	Not more than 200% of the specified value.	Leakage Current	Not more than the specified value.						
Capacitance Change	Within ±20% of the initial value.												
Dissipation Factor	Not more than 200% of the specified value.												
Leakage Current	Not more than the specified value.												
Low Temperature Stability Impedance Ratio(MAX)	<table border="1"> <tr> <td>Rated Voltage (V.DC)</td> <td>400</td> <td>420,450</td> <td>(120Hz)</td> </tr> <tr> <td>Z(-25°C)/Z(20°C)</td> <td>5</td> <td>6</td> <td></td> </tr> <tr> <td>Z(-40°C)/Z(20°C)</td> <td>6</td> <td>10</td> <td></td> </tr> </table>	Rated Voltage (V.DC)	400	420,450	(120Hz)	Z(-25°C)/Z(20°C)	5	6		Z(-40°C)/Z(20°C)	6	10	
Rated Voltage (V.DC)	400	420,450	(120Hz)										
Z(-25°C)/Z(20°C)	5	6											
Z(-40°C)/Z(20°C)	6	10											

◆MULTIPLIER FOR RIPPLE CURRENT

Frequency (Hz)		60(50)	120	500	1k	10k	100k \leq
Coefficient	400~450WV	0.80	1.00	1.30	1.50	1.90	2.00

◆DIMENSIONS

(mm)


◆OPTION

	Code
PET Sleeve	EFR

◆PART NUMBER

<input type="text"/>	<input type="text"/>	<input type="text"/>	<input type="text"/>	<input type="text"/>	<input type="text"/>	<input type="text"/>
Rated Voltage	BXW Series	Capacitance	Capacitance Tolerance	Option	Lead Forming	DxL Case Size

◆STANDARD SIZE

Rated Voltage (V.DC)	Capacitance (μF)	Size φD×L (mm)	Ripple Current(A r.m.s. 105°C)	
			120Hz	100kHz
400	18	10×20	0.220	0.440
	22	10×25	0.240	0.480
	27	10×25	0.290	0.580
	27	12.5×20	0.300	0.600
	33	10×30	0.340	0.680
	39	10×35	0.390	0.780
	39	12.5×25	0.390	0.780
	39	14.5×20	0.385	0.770
	47	10×40	0.440	0.880
	47	12.5×30	0.455	0.910
	47	16×20	0.435	0.870
	56	10×45	0.500	1.000
	56	12.5×30	0.495	0.990
	56	12.5×35	0.525	1.050
	56	14.5×25	0.495	0.990
	56	16×20	0.480	0.960
	56	18×20	0.500	1.000
	68	12.5×35	0.570	1.140
	68	12.5×40	0.600	1.200
	68	14.5×30	0.585	1.170
	68	16×25	0.570	1.140
	68	18×20	0.530	1.060
	82	12.5×40	0.650	1.300
	82	12.5×45	0.680	1.360
	82	14.5×35	0.670	1.340
	82	16×30	0.670	1.340
	82	18×25	0.640	1.280
	100	12.5×50	0.760	1.520
	100	14.5×40	0.760	1.520
	100	14.5×45	0.785	1.570
	100	16×30	0.710	1.420
	100	16×35	0.760	1.520
	100	18×25	0.710	1.420
	120	14.5×45	0.840	1.680
120	14.5×50	0.875	1.750	
120	16×35	0.810	1.620	
120	16×40	0.860	1.720	
120	18×30	0.840	1.680	
120	18×35	0.870	1.740	
150	16×45	0.950	1.900	
150	16×50	0.995	1.990	
150	18×35	0.920	1.840	
150	18×40	0.985	1.970	
180	16×50	1.070	2.140	
180	18×40	1.040	2.080	
180	18×45	1.095	2.190	
220	18×50	1.220	2.440	

Rated Voltage (V.DC)	Capacitance (μF)	Size φD×L (mm)	Ripple Current(A r.m.s. 105°C)	
			120Hz	100kHz
420	15	10×20	0.190	0.380
	18	10×25	0.230	0.460
	22	10×25	0.250	0.500
	27	10×30	0.290	0.580
	27	12.5×20	0.300	0.600
	27	12.5×25	0.340	0.680
	33	10×35	0.340	0.680
	33	12.5×25	0.350	0.700
	33	12.5×30	0.400	0.800
	33	14.5×20	0.350	0.700
	39	10×40	0.390	0.780
	39	14.5×25	0.435	0.870
	39	16×20	0.400	0.800
	47	10×45	0.440	0.880
	47	12.5×30	0.440	0.880
	47	12.5×35	0.505	1.010
	47	14.5×25	0.450	0.900
	47	16×25	0.440	0.880
	56	12.5×35	0.510	1.020
	56	12.5×40	0.570	1.140
	56	14.5×30	0.560	1.120
	56	16×25	0.510	1.020
	56	18×20	0.480	0.960
	68	12.5×45	0.600	1.200
	68	12.5×50	0.670	1.340
	68	14.5×35	0.640	1.280
	68	16×30	0.560	1.120
	68	18×25	0.615	1.230
	82	12.5×50	0.690	1.380
	82	14.5×40	0.680	1.360
	82	14.5×45	0.750	1.500
	82	16×30	0.640	1.280
	82	16×35	0.690	1.380
	82	18×25	0.640	1.280
	82	18×30	0.730	1.460
	100	14.5×45	0.790	1.580
	100	14.5×50	0.845	1.690
	100	16×35	0.730	1.460
	100	16×40	0.800	1.600
	100	18×30	0.780	1.560
100	18×35	0.835	1.670	
120	16×40	0.840	1.680	
120	16×45	0.920	1.840	
120	18×35	0.850	1.700	
120	18×40	0.930	1.860	
150	16×50	0.940	1.880	
150	18×40	1.000	2.000	
150	18×45	1.060	2.120	
180	18×45	1.100	2.200	

◆STANDARD SIZE

Rated Voltage (V.DC)	Capacitance (μ F)	Size ϕ D×L (mm)	Ripple Current(A r.m.s. 105°C)	
			120Hz	100kHz
450	15	10×20	0.190	0.380
	18	10×25	0.230	0.460
	22	10×30	0.270	0.540
	22	12.5×20	0.260	0.520
	27	10×35	0.320	0.640
	27	12.5×25	0.340	0.680
	27	14.5×20	0.335	0.670
	33	10×40	0.360	0.720
	33	12.5×25	0.360	0.720
	33	12.5×30	0.400	0.800
	33	14.5×25	0.400	0.800
	39	10×45	0.410	0.820
	39	12.5×30	0.430	0.860
	39	12.5×35	0.460	0.920
	39	14.5×25	0.430	0.860
	39	16×20	0.400	0.800
	47	12.5×35	0.480	0.960
	47	12.5×40	0.525	1.050
	47	14.5×30	0.515	1.030
	47	16×25	0.500	1.000
	47	18×20	0.450	0.900
	56	12.5×40	0.540	1.080
	56	12.5×45	0.590	1.180
	56	14.5×30	0.540	1.080
	56	14.5×35	0.580	1.160
	56	16×25	0.530	1.060
	56	16×30	0.585	1.170
	56	18×25	0.560	1.120
	68	12.5×45	0.610	1.220
	68	12.5×50	0.670	1.340
	68	14.5×35	0.620	1.240
	68	14.5×40	0.660	1.320
	68	16×30	0.610	1.220
	68	16×35	0.660	1.320
	68	18×25	0.610	1.220
	82	14.5×40	0.670	1.340
	82	14.5×45	0.740	1.480
	82	16×35	0.690	1.380
	82	16×40	0.750	1.500
	82	18×30	0.730	1.460
100	14.5×50	0.810	1.620	
100	16×40	0.770	1.540	
100	16×45	0.840	1.680	
100	18×30	0.750	1.500	
100	18×35	0.835	1.670	
120	16×45	0.880	1.760	
120	18×35	0.860	1.720	
120	18×40	0.930	1.860	
150	18×45	1.000	2.000	
150	18×50	1.060	2.120	
180	18×50	1.100	2.200	