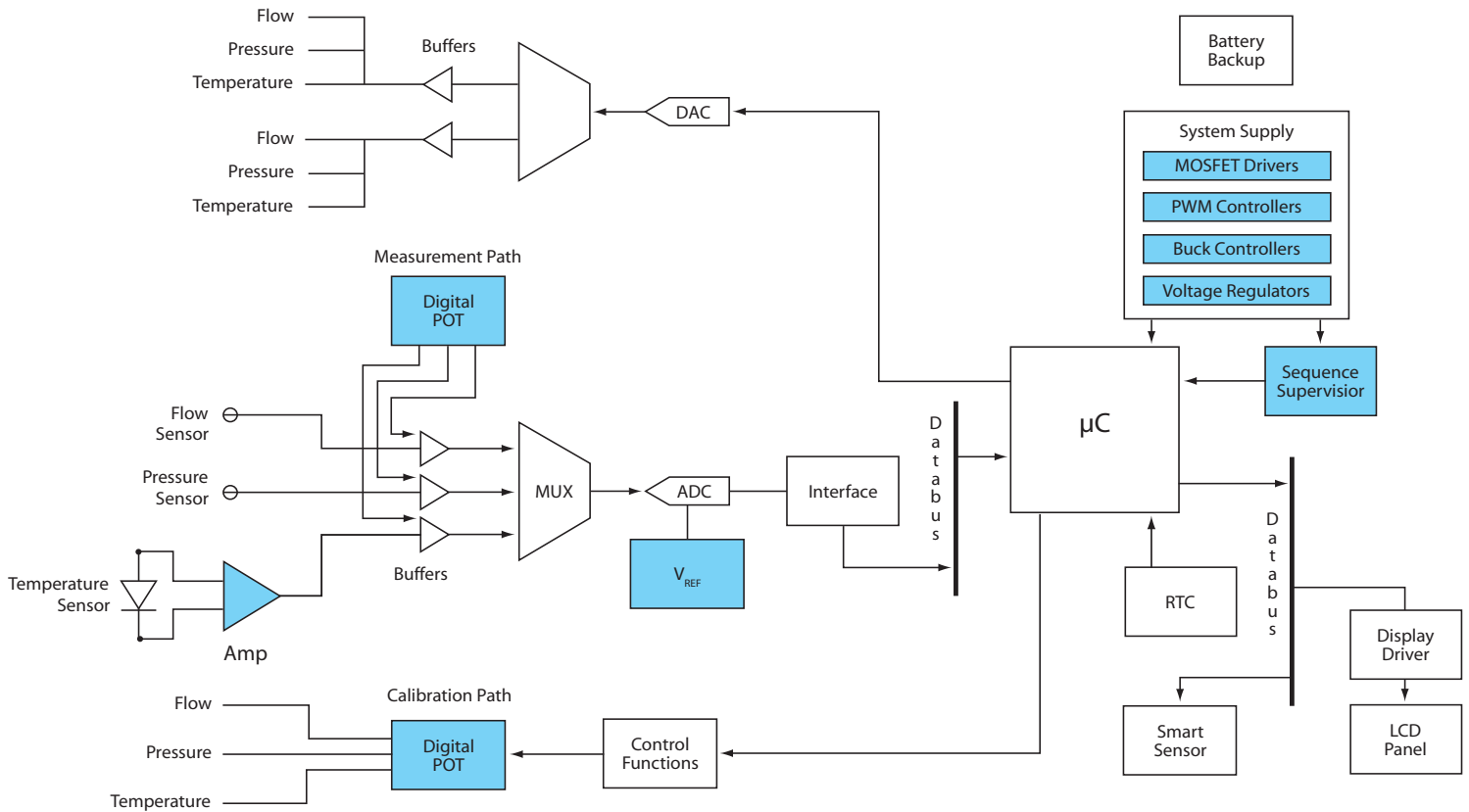




Industrial Controls



New Product Highlights

- **MOSFET Driver:**
 - **MP18021:** 100V High Frequency Half-Bridge Gate Driver
- **PWM Controller:**
 - **MP2930:** 4-Phase PWM Controller with 8-Bit DAC code
- **Buck Converters:**
 - **MP2012:** 2.7-6V Input, 1.5A, 1.2MHz Synchronous Step-Down Converter
 - **MP28119:** Ultra-small, 1.7MHz, 600mA, Low-Voltage Sync Buck Converter
 - **MP28275:** 7V, 5A, 1.1MHz Synchronous Step-down Converter
 - **MP2117:** 1.25MHz, 2.2A Synchronous Step-Down Switcher
- **Boost Converters:**
 - **MP3217:** 36V, 670kHz Step-up Converter with a 0.5A Switch
 - **MP3212:** 1.3A, 1MHz Step-up Regulator with Integrated Input Disconnect Switch
- **LDOs:**
 - **MP2009:** Ultra-Low-Noise, Low-Dropout, 120mA Linear Regulator
 - **MP2030:** 3A, 150mV Dropout Linear Regulator Supervisory
- **Supervisory/Sequence Supervisor:**
 - **MP6400:** Programmable-Delay Reset Supervisory Circuit Digital POT
 - **MP6401:** 300mA LDO Linear Regulator with Integrated Reset Circuit
- **Digital POT:**
 - **MP1160:** 256-Position I2C-Compatible Digital Potentiometer
- **V_{REF}:**
 - **MP8201:** Precision Adjustable Shunt Voltage Regulator

CODICO
the component distributing company

Zwingenstrasse 6-8 | 2380 Perchtoldsdorf | Austria
Tel: +43 1 86 305 - 0 | Fax: +43 1 86 305 - 5000
E-mail: office@codico.com | www.codico.com

MPS Solutions

Part Number	Description	V _{IN}	Load Current	Frequency	Key Features & Benefits
DC-DC					
Buck Controllers					
MP2905	3V-28V Input, Hysteretic Synchronous Step-Down Controller	3V-28V		200-500kHz	Output Adjustable from 0.6V to 0.9*V _{in} , Programmable Soft-Start, Hiccup Current Limit, Lossless Peak Current Sensing
MP2907	18V Input Synchronous Step-Down Controller	3V-18V		200-500kHz	Programmable Soft-Start, Hiccup Current Limit, Lossless Peak Current Sensing
Voltage Regulators (Buck)					
NEW MP2012	2.7-6V Input, 1.5A, 1.2MHz Synchronous Step-Down Converter	2.7V-6V	1.5A	1.2MHz	Power Good Output, Adj. Output, 95% Efficiency
MP2119	2A, 6V Synchronous Step-Down Switching Regulator	2.7V-6V	2A	1.5MHz	Power Good Output, Adj. Output From 0.8V to 0.9V _{in}
NEW MP28119	Ultra-small, 1.7MHz, 600mA, Low-Voltage Sync Buck Converter	2.5V-6V	0.6A	1.7MHz	Fixed (1.0V and 1.2V) and Adj. Output Options, Output Discharge, Internal Comp
NEW MP28275	7V, 5A, 1.1MHz Synchronous Step-down Converter	4.5V-7V	5A	1.1MHz	4.5V-7V _{in} , 1MHz, 5A Sync Buck with Power Good Output
MP28115	4A, 1.5MHz Synchronous Step-Down Converter	2.7V-6V	4A	1.5MHz	1.5MHz, 4A Sync Buck w/ Power Good Output 1.5% Output Accuracy
MP38115A	Ultra Low Voltage, 4A, 5.5V Sync Step-Down Switching Regulator	1.1V-5.5V	4A	1.5MHz	1.1V-5.5V _{in} , 1.5MHz, 4A Sync Buck with Power Good Output
NEW MP2117	1.25MHz, 2.2A Synchronous Step-Down Switcher	2.5V-6V	2.2A	1.25MHz	1.25MHz Sync Buck with Internal Power Switches and Power On Reset Output
MP2121	3A, 6V Synchronous Step-Down Switching Regulator	2.7V-6V	3A	1.5MHz	1.5MHz, 3A Sync Buck with Power Good Output
Voltage Regulators (Boost)					
MP3900	High Efficiency Boost Controller	8.6V-12V	0.2V/R _{sense}	330kHz	10V Gate Driver
MP1517	3A, 25V, 1.1MHz Step-Up Converter	2.6V-25V	4A	1.1MHz	25V _{out}
NEW MP3217	36V, 670kHz Step-up Converter with a 0.5A Switch	2.5V-6V	0.5A	670kHz	36V _{out} , Cycle-by-Cycle Over Current Protection, UVLO, Thermal Shutdown, p2p with MAX5025-5028
NEW MP3212	1.3A, 1MHz Step-up Regulator with Integrated Input Disconnect Switch	2.3V-5.5V	1.3A	1MHz	28V _{out} , Integrated Input Disconnect Switch, Internal Soft Start and Internal Comp
MP1542	700KHz/1.3MHz Boost Converter with a 2A Switch	2.5V-22V	2A	700kHz/1.3MHz	22V _{out}
LDOs					
MP2016	42V, 30mA, Low Power Adjustable Output Linear Regulator	4V-42V	30mA		0.003%/mA Load Reg., 50dB PSRR, 700mV Dropout, 1.2-20V _{out}
NEW MP2009	Ultra-Low-Noise Low-Dropout, 120mA Linear Regulator	2.0V-6V	120mA		0.002%/mA Load Reg., 78dB PSRR, 172mV Dropout, 1.5-4.5V _{out} No Bypass Capacitor Required
NEW MP2030	3A, 150mV Dropout Linear Regulator	1.1V-5V	3A		Fast Transient Response, Low-Noise (80µV), 3A Linear Regulator
MP2007	3A Sink/Source LDO	1.3V-6V	3A		Tracking V _{REF} and V _{TT} DDR, Termination Voltage Regulation
MP2005	800mA High PSRR, ULDO Linear Regulator	1V-5.5V	0.8A		Ultra Low Dropout, Fast Transient, 48dB PSRR @ 1MHz
PWM Controllers					
NEW MP2930	4-Phase PWM Controller with 8-Bit DAC code	5V V _{cc}		Adjustable	8-Bit ID Input with Selectable Between VR11 and VR10 Code at 6.25mV Per Bit
Supervisory/Sequence Supervisor		V _{IN}	Delay Time	Threshold Accuracy	
NEW MP6400	Programmable-Delay Reset Supervisory Circuit	1.8V -6V	1.2ms-10s	1% Typ	Industry Standard, 1.6µA (Very Low Quiescent Current)
NEW MP6401	300mA LDO Linear Regulator with Integrated Reset Circuit	2.5V-5.5V	Selectable	7.50%	LDO Comes With Fixed Outputs 1.8V/2.5V/3.3V or Adj. 1.229V - 5V
MOSFET Driver		Boost Voltage	Max Supply Voltage	Peak Current	
NEW MP18021	100V High Frequency Half-Bridge Gate Driver	100V	16V	1.5A/2.5A	16ns Prop Delay, 12ns Rise Time, 9ns Fall Time, <5ns Matching Delay
Digital Potentiometer		Interface Type	# of Taps	Resistance	
NEW MP1160	256-Position I2C-Compatible Digital Potentiometer	I2C	256	125kΩ	2.7V-5.5V Supply, Power-on Preset, Full Read/Write of Wiper Register
Op Amps		V _{IN}	GBW	PSRR	
MP8130	Ultra-Low Power, 36V, 200KHz, High Voltage Op Amp	2.7V-36V	100kHz	80dB	High Voltage, 01V/us Slew Rate, 1mV Offset
V_{REF}		V _{IN}	V _{OUT}	Initial Accuracy	
NEW MP8201	Precision Adjustable Shunt Voltage Regulator	1.2V-12V	1.2V-10V	0.50%	60µA-20mA I _q , 1Ω Z _{out} , SOT23 Package