



Embedded Power for Business-Critical Continuity

Rev. 08.19.08\_j105  
DA12-M Series  
1 of 4

## DA12-M Series

12 Watts

**Total Power:** 12 Watts  
**Input Voltage:** 90-264 Vac  
**# of Outputs:** Single



**Preliminary**

### Special Features

- Medical and ITE Safeties
- Switching wallmount power supply
- Available in multiple ac plug configurations
- CE Mark EMC & LVD
- Universal AC input
- Fully regulated output
- Overload and short circuit protection
- Thermal protection
- Energy Star and CeC approvals
- Constant voltage
- High efficiency
- High MTBF
- Built in EMI filter (CISPR 22 Class B)

### Safety

UL 60950, 60601-1  
 cUL 60950, 60601-1  
 TUV 60950-1, 60601-1  
 AS/NZS 60950-1, 60601-1  
 CB Certificate and report  
 CE EMC & LVD

## Electrical Specifications

### Input

Input range:	90-264 Vac (wide range)
Frequency:	47-63 Hz
Inrush current:	28 A @ 264 Vac
Input current:	0.25 A rms @ 120 Vac; 0.15 A @ 240 Vac
Efficiency:	75% @ full load typical, @120 Vac
EMI/RFI:	FCC Part 15, Subpart B Class B & EN55022 (CISPR 22) Class B
Safety ground leakage current:	100 $\mu$ A @ 50/60 Hz, 264 Vac input

### Output

Voltage (Vo):	12.0 V
Voltage regulation:	$\pm$ 5% @ constant voltage mode
Maximum Power (Po):	12 W
Hold-up time:	10 ms. typical at full load @ 230 Vac
Overvoltage protection:	Non-latching type
Overload protection:	Output shortcircuit protection auto recover Overload protected @ 150% above maximum rating
Overtemperature protection:	Auto recovery
Output cable/connector barrel polarity:	DC cable with 2.5 mm x5.5mm barrel plug DC plug center +v DC plug outer -v



## Environmental Specifications

Operating temperature:	0 ° to +40 °C ambient		
Storage temperature:	-40 °C to +85 °C		
Electromagnetic susceptibility:	Designed to meet EN55024		
Humidity:	Operating; non-condensing 5% to 95% RH		
Vibration:	Frequency/PSD:	5 - 350 Hz	0.0001 g <sup>2</sup> /Hz
		350 - 500 Hz - 6dB/Oct.	
		500 Hz	0.00005g <sup>2</sup> /Hz
	Acceleration:	0.21 gRMS	
	Duration:	20 min per second	

## AC Plug Configuration

U.S. 2-prong	US
Europe 2-prong	EU
United Kingdom 3-prong	UK
Australia 2-prong	AU

Rev. 08.19.08\_j105  
DA12-M Series  
2 of 4

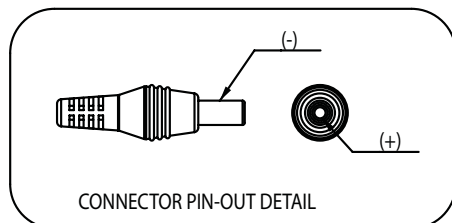
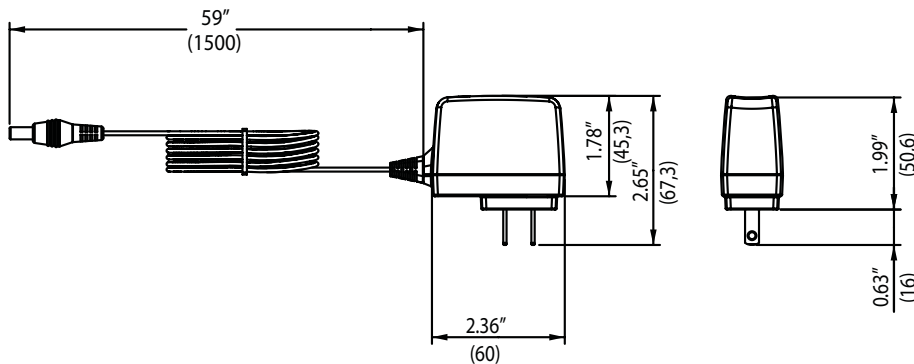
## Ordering Information

Model Number	Maximum Power	Output Voltage	Minimum Load	Maximum Load	Regulation <sup>2</sup>	Ripple P/P (PARD) <sup>3</sup>
DA12-120US-M	12 W	12.0 V	0.2 A	1.0	± 3%	200 mV
DA12-120EU-M	12 W	12.0 V	0.2 A	1.0	± 3%	200 mV
DA12-120UK-M	12 W	12.0 V	0.2 A	1.0	± 3%	200 mV
DA12-120AU-M	12 W	12.0 V	0.2 A	1.0	± 3%	200 mV

1. Peak current lasting <30 seconds with a maximum 10% duty cycle.
2. At 25°C including initial tolerance, line voltage, load currents and output voltages adjusted to factory settings.
3. Peak-to-peak with 20 mHz bandwidth and 10 µF in parallel with a 0.1 µF capacitor at rated line voltage and load ranges.
4. Minimum loads are required.

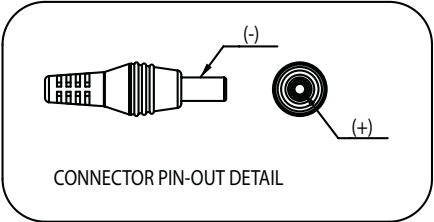
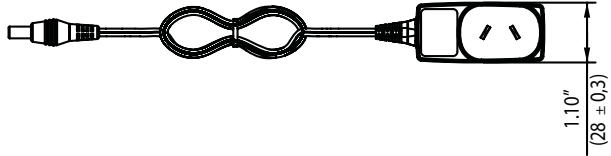
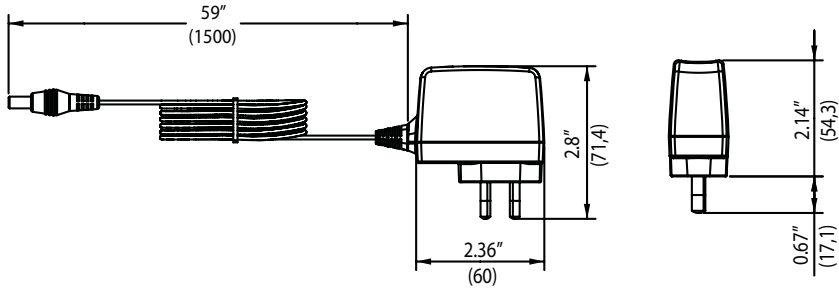
## Mechanical Drawings

### DA1212-XXXUS-M

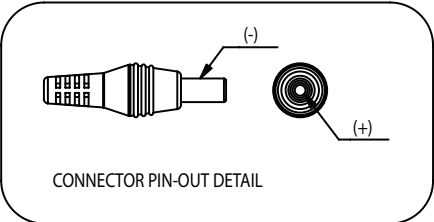
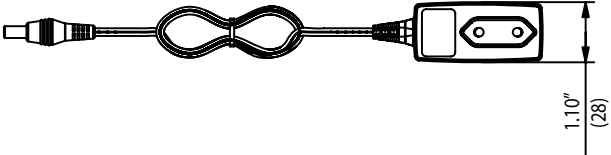
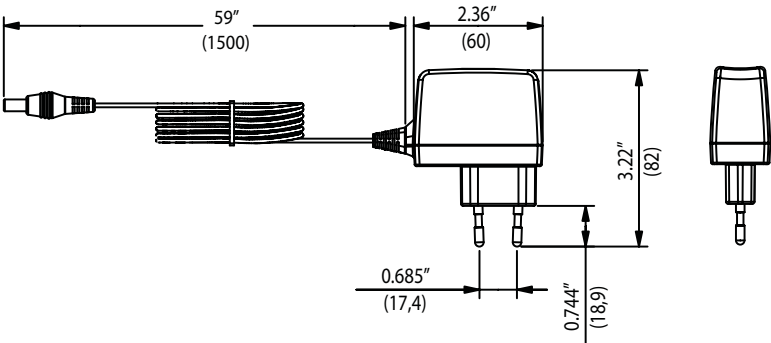


**CODICO GmbH**  
Zwingenstrasse 6-8, A-2380 Perchtoldsdorf  
Tel. Vienna +43/(0)1/86 305 - 0  
Fax Vienna +43/(0)1/86 305 - 5000  
e-mail: office@codico.com  
www.codico.com

DA12-XXXAU-M

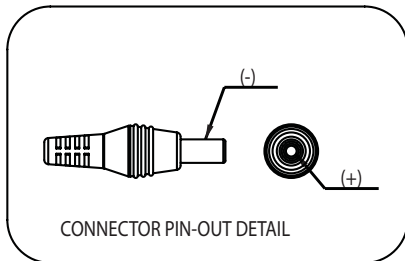
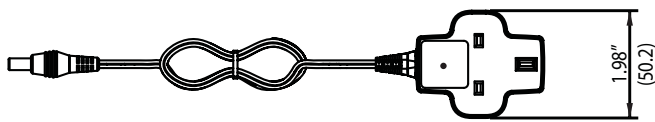
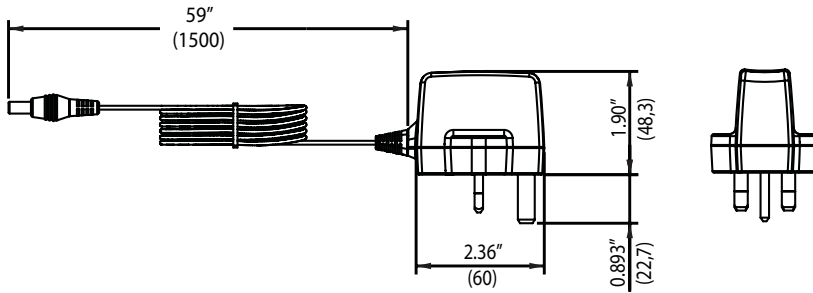


DA12-XXX-EU-M



## DA12-XXX-UK-M

Rev. 08.19.08\_j105  
DA12-M Series  
4 of 4



### Notes:

1. Specifications subject to change without notice.
2. All dimensions in inches (mm), tolerance is  $\pm .02$ ".
3. Warranty: 2 years

**CODICO GmbH**  
Zwingenstrasse 6-8, A-2380 Perchtoldsdorf  
Tel. Vienna +43/(0)1/86 305 - 0  
Fax Vienna +43/(0)1/86 305 - 5000  
e-mail: [office@codico.com](mailto:office@codico.com)  
[www.codico.com](http://www.codico.com)

**Emerson Network Power.**  
The global leader in enabling  
business-critical continuity.

- AC Power
- Connectivity
- DC Power
- Embedded Computing
- Embedded Power**
- Monitoring
- Outside Plant
- Power Switching & Controls
- Precision Cooling
- Racks & Integrated Cabinets
- Services
- Surge Protection

**EmersonNetworkPower.com**

Emerson Network Power and the Emerson  
Network Power logo are trademarks and  
service marks of Emerson Electric Co.  
©2008 Emerson Electric Co.