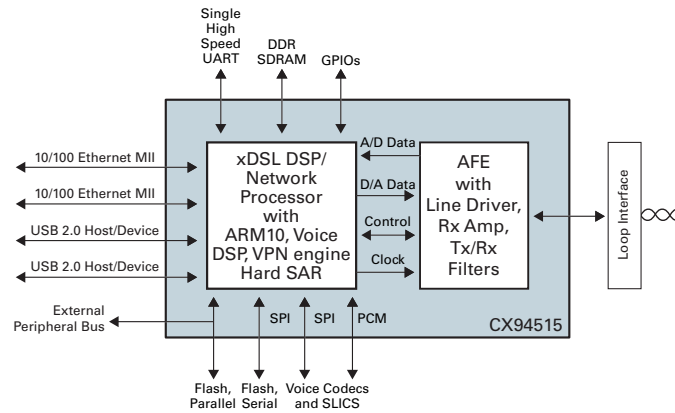




Conexant Product Portfolio

The company's broad portfolio of semiconductor products also includes client-side DSL and cable modem solutions, home network processors, broadcast video encoders and decoders, digital set-top box components and systems solutions, and dial-up modems. In addition to its IEEE 802.11a/b/g-compliant WLAN chipsets, software, and reference designs, Conexant

offers a suite of networking components that includes solutions for applications based on HomePlug and HomePNA. Additional products include a complete line of asymmetric and symmetric DSL central office solutions, which are used by service providers worldwide to deliver broadband data, voice, and video over copper telephone lines.



Features

- Two chipset versions support for ADSL/ADSL2/ADSL2plus
- Solution for DSL router, Wireless DSL router, DSL IAD
- Integrated field-proven fourth generation xDSL DSP core
- DSP architecture enables software-upgradeable feature enhancements, performance improvements, and on-the-fly interoperability
- Software-selectable ADSL standards
- AFE optimized for ADSL/ADSL2plus applications, minimizes external analog filter requirements, TR-067 compliant
- Two integrated 10/100 Ethernet MACs with MII interface
- Integrated USB 2.0 Host/Device interface with integrated PHY
- PCM and SPI interface to external codecs/SLICs for VoIP
- SPI interface to connect to SPI Flash
- DDR SDRAM interface addressing up to 1Gbit devices
- Integrated ARM10 RISC processor core
- VPN engine supporting DES, 3DES, AES, SHA-1, MD5
- ATM SAR engine, has DSL-aware ATM shaper supports
- UBR, CBR and other service classes
- WLAN PRISM Nitro XM compression/decompression engine
- Integrated VoIP support for up to two channels of G.711, G.726, or G.729ab
- Support for DSLHome (TM) including LAN side (TR-064) and WAN side (TR-069) management
- Support for dying gasp
- Modular IP stack
- Bridging and routing capabilities
- PPP and tunneling features
- Comprehensive networking protocol support includes DHCP, PPPoE, PPPoA and RIP
- Flexible IMI
- SNMP agent and tools
- Embedded Web server
- USB 2.0 interface for WLAN, Print Server, and Network Attached Storage, and HID devices
- Stateful packet inspection (SPI) firewall and NAT security solution
- UPnP for seamless network interconnectivity
- ATM traffic management functions
- ATM protocol stack
- Drivers for Conexant's USB WLAN solutions
- Drivers for Conexant's Voice DSP
- MGCP and SIP stacks for VoIP
- Drivers for Legerity or Silicon Labs codecs and SLICs
- Customer development environment and tools
- Reference designs available for rapid prototyping

© 2005, Conexant Systems, Inc. All Rights Reserved. Conexant and the Conexant logo are registered trademarks of Conexant Systems, Inc. All other trademarks are owned by their respective owners. Although Conexant strives for accuracy in all its publications, this material may contain errors or omissions and is subject to change without notice. **THIS MATERIAL IS PROVIDED AS IS AND WITHOUT ANY EXPRESS OR IMPLIED WARRANTIES, INCLUDING MERCHANTABILITY, FITNESS FOR A PARTICULAR PURPOSE AND NON-INFRINGEMENT.** Conexant shall not be liable for any special, indirect, incidental or consequential damages as a result of its use.

www.conexant.com
General Information:
 U.S. and Canada: (888) 855-4562
 International: (732) 345-7500
Headquarters
 4000 MacArthur Blvd.
 Newport Beach, CA 92660
 Order# 102797A

