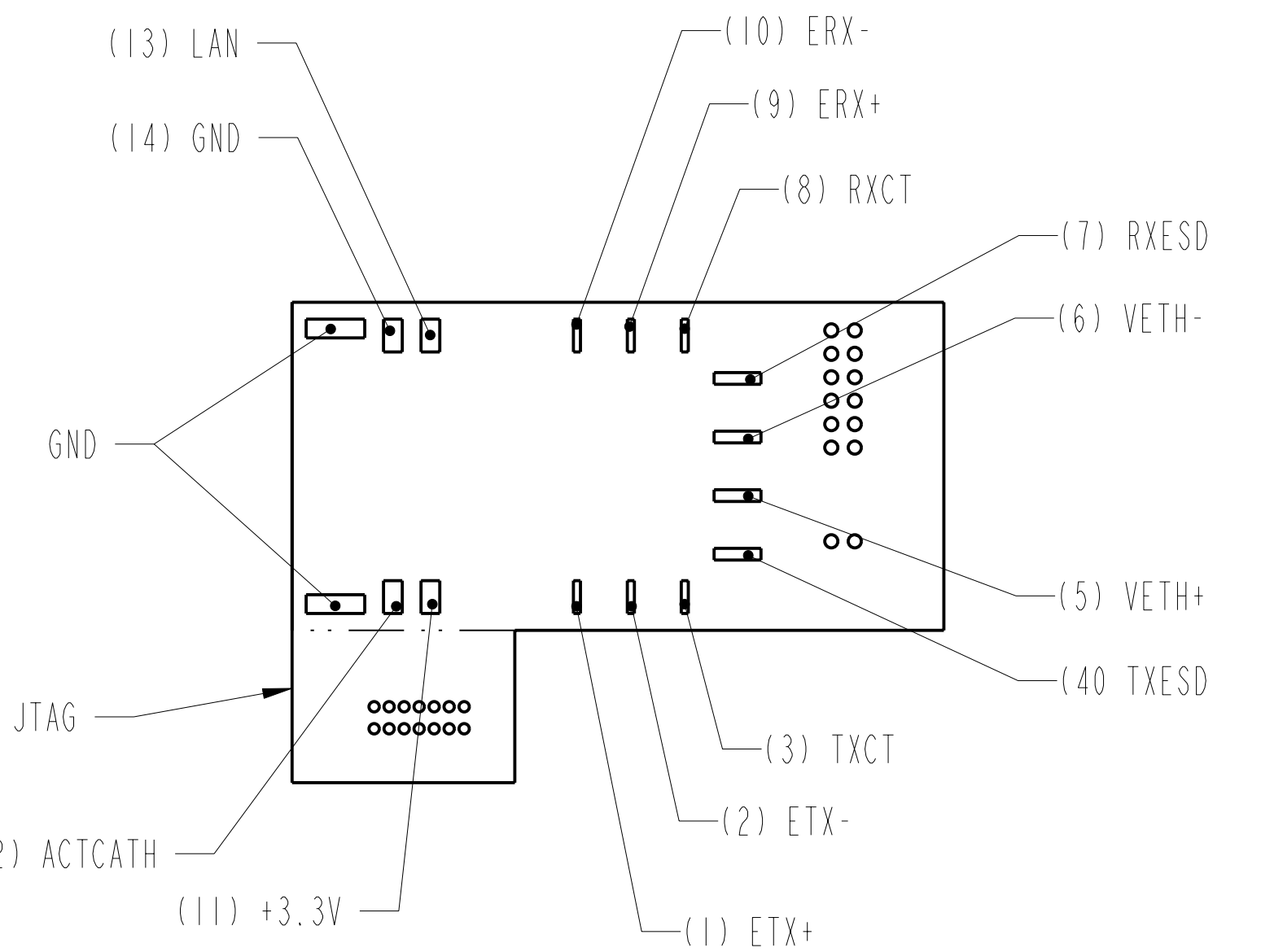
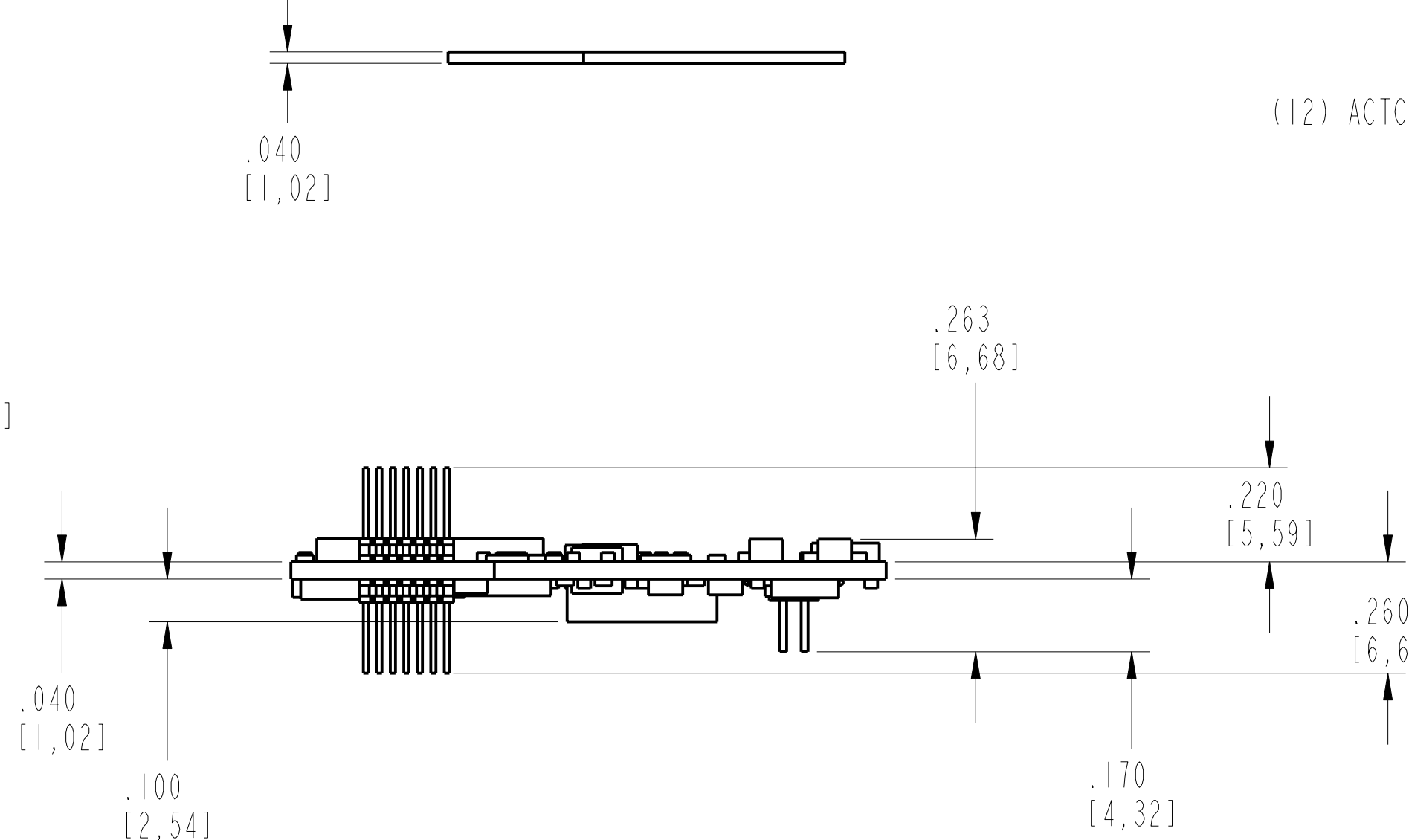
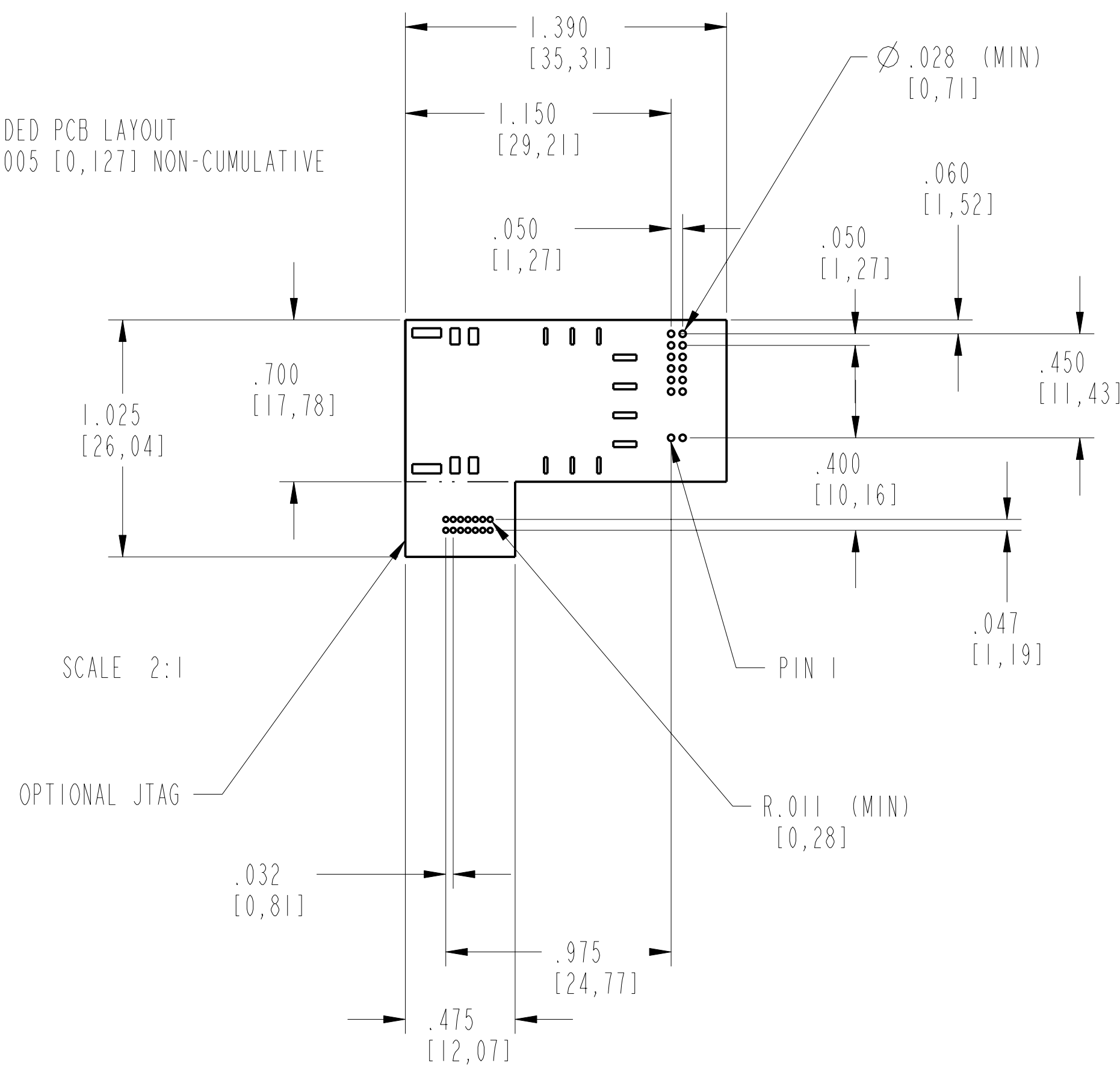
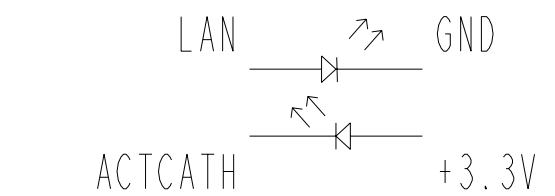


RECOMMENDED PCB LAYOUT
TOL. $\pm .005$ [0,127] NON-CUMULATIVE



RJ 45 PAD AND SIGNAL VIEW
SCALE 3:1
TXCT - CHIP SIDE CENTER TAP TX
RXCT - CHIP SIDE CENTER TAP RX
TXESD - LINE SIDE CENTER TAP TX
RXESD - LINE SIDE CENTER TAP RX



LAN PIN WIRED TO ANODE OF LED.
ACTCATH PIN WIRED TO CATHODE OF LED.

NOTES:

THIS DOCUMENT CONTAINS INFORMATION PROPRIETARY AND CONFIDENTIAL TO DIGI INTERNATIONAL INC. BY ACCEPTING DELIVERY, RECIPIENT AGREES TO RETAIN IT IN CONFIDENCE AND NOT DISCLOSE IT TO OTHERS NOR USE IT FOR ANY PURPOSE OTHER THAN THAT FOR WHICH IT WAS DELIVERED, AND TO PROMPTLY RETURN IT UPON REQUEST.

A 103213 NEW RELEASE		TJM	TJM	TJM	10-11-04
REV	ECO	DESCRIPTION OF CHANGE		BY	CKD
APPROVALS		DATE			
DESIGNED	TJM	10-11-04			
DRAWN	TJM	10-11-04			
CHECKED	TJM	10-11-04			
ENGINEER		TJM	10-11-04	TITLE	
MATERIAL		DO NOT SCALE DRAWING		FOOTPRINT, CONNECT ME NG NO ENCLOSURE	
FINISH		SCALE NTS		SIZE CODE 10 PART NO. 96000905	
		PRO/ENGINEER		REV A	
		SHEET 1 OF 1			