

Overview

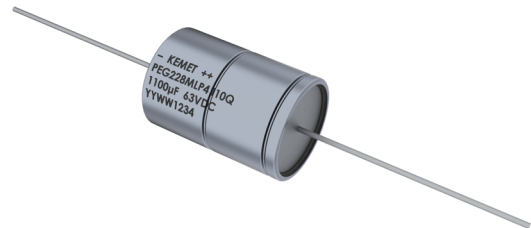
KEMET's PEG228 is an Ultra-High CV electrolytic capacitor with an outstanding electrical performance and high energy storage capability. The device has a polarized all-welded design, tinned copper wire leads, and a negative pole connected to the case. The PEG228 winding is housed in a cylindrical aluminum can, with a high purity aluminum lid and a high quality rubber gasket. The low ESR is the result of a low resistive electrolyte/paper system and an all-welded design. Thanks to its mechanical robustness, the PEG228 is suitable for use in mobile and aircraft installations, with operation up to +150°C. KEMET's automotive grade capacitors meet the demanding Automotive Electronics Council's AEC-Q200 qualification requirements.

Applications

The KEMET PEG228 is a new generation of Ultra-High CV axial electrolytic capacitors. It is designed for automotive applications with extremely high demands.

Benefits

- AEC-Q200 automotive qualified
- 2,000 hours at +150°C
- Ultra-High CV
- Extremely high ripple current
- Up to 27 ARMS ripple current, continuous load
- ESR stability over lifetime
- High vibration resistance
- Polarized all-welded design
- Outstanding electrical performance



Part Number System

PEG228	H	KL	421	0	M	E4
Series	Rated Voltage (VDC)	Size Code	Capacitance Code (µF)	Version	Capacitance Tolerance	Packaging
Axial Aluminum Electrolytic	H = 25 K = 40 M = 63 N = 80	See Dimension Table	The last two digits represent significant figures. The first digit indicates the total number digits.	0 = Standard	Q = -10 + 30% M = ±20%	E4 = Tray

Performance Characteristics

Item	Performance Characteristics		
Capacitance Range	380 – 7,000 μ F		
Rated Voltage	25 – 80 VDC		
Operating Temperature	–40 to +150°C		
Capacitance Tolerance	–10/+30%, (\pm 20% select values) at 100 Hz/+20°C		
Operational Lifetime	D (mm)	Rated voltage, +125°C (hours)	Rated voltage, +150°C (hours)
	16	6,300	1,500
	18 and 20	8,400	2,000
Shelf Life	5,000 hours at +105°C or 10 years at +40°C 0 VDC		
Leakage Current	$I = 0.003 CV + 4.0$ (μ A)		
	C = rated capacitance (μ F), V = rated voltage (VDC). Voltage applied for 5 minutes at +20°C.		
Vibration Test Specifications	Procedure		Requirements
	1.5 mm displacement amplitude or 20 g maximum acceleration. Vibration applied for three 22-hour sessions at 10 – 2,000 Hz (capacitor clamped by body).		No leakage of electrolyte or other visible damage. Deviations in capacitance from initial measurements must not exceed: $\Delta C/C < 5\%$
Standards	IEC 60384–4 long life grade 40/125/56, AEC–Q200		

Compensation Factor of Ripple Current (RC) vs. Frequency

Frequency	100 Hz	300 Hz	1 kHz	5 kHz	100 kHz
Coefficient	0.35	0.57	0.80	1.00	1.04

Test Method & Performance

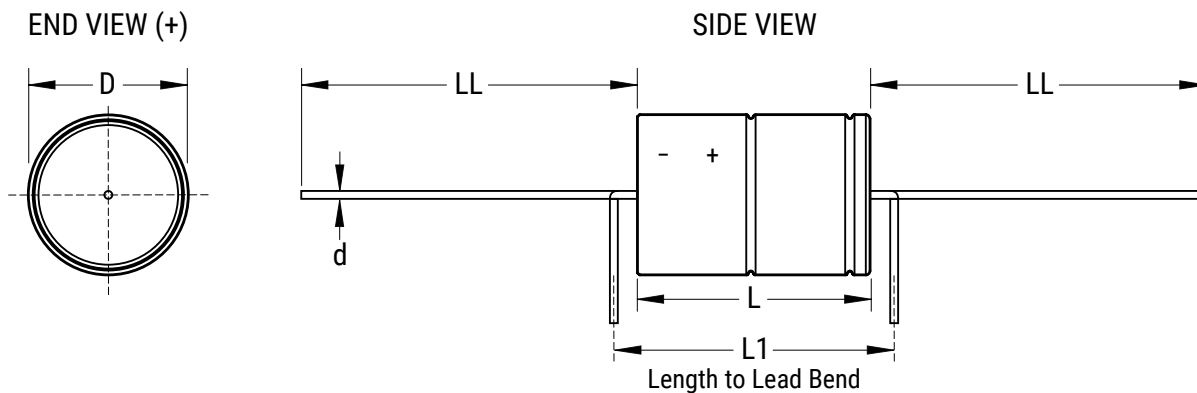
Endurance Life Test	
Conditions	Performance
Temperature	+150°C
Test Duration	1,500 hours (D = 16 mm)
	2,000 hours (D = 18 and 20 mm)
Ripple Current	Maximum ripple current specified in table
Voltage	The sum of DC voltage and the peak AC voltage must not exceed the rated voltage of the capacitor
Performance	The following specifications will be satisfied when the capacitor is tested at +20°C:
Capacitance Change	Within 15% of the initial value
Equivalent Series Resistance	$\geq 2x$ initial value (typically $\geq 1.3x$ at 90% of the lifetime)
Leakage Current	Does not exceed leakage current limit

Ordering Options Table

Packaging Kind	Lead Length (mm)	Lead and Packaging Code
Standard Packaging Option		
Bulk (box)	40 ±2	E1 - Obsolete
Tray	40 ±2	E4

Size Code	Bulk Quantity	Size Code	Bulk Quantity
KL	100	LQ	100
KP	75	ML	125
LL	135	MP	100
LP	110	MS	75

Dimensions – Millimeters



Size Code	Dimensions in mm					Approximate Weight Grams
	D ±0.5	L ±1	L1 Minimum	d ±0.03	LL b ±2 Box	
KL	16.2	26.7	33	1.0	40	8
KP	16.2	34.7	41	1.0	40	11
LL	18.2	26.7	33	1.0	40	11
LP	18.2	34.7	41	1.0	40	14
LQ	18.2	38.7	45	1.0	40	16
ML	20.2	26.7	33	1.0	40	13
MP	20.2	34.7	41	1.0	40	20
MS	20.2	42.7	49	1.0	40	24

Note: L1 is KEMET's recommendation for minimum distance between symmetrical lead bend. Available only for customer specific part numbers. Lead bend dimensions must be specified and confirmed per article.

Shelf Life

The capacitance, ESR, and impedance of a capacitor will not change significantly after extended storage periods; however, the leakage current will very slowly increase. KEMET products are particularly stable and allow a shelf life in excess of ten years at 40°C. See sectional specification under each product series for specific data.

Failure Rate

Estimated field failure rate: ≤ 0.15 ppm (failures per year/produced number of capacitors per year).

The expected failure rate for this capacitor range is based on field experience for capacitors with structural similarity.

Environmental Compliance



All Part Numbers in this datasheet are Reach and RoHS compliant and Halogen-Free.

As an environmentally conscious company, KEMET is working continuously with improvements concerning the environmental effects of both our capacitors and their production.

In Europe (RoHS Directive) and in some other geographical areas such as China, legislation has been put in place to prevent the use of some hazardous materials, such as lead (Pb), in electronic equipment. All products in this catalog are produced to help our customers' obligations to guarantee their products and fulfill these legislative requirements. The only material of concern in our products has been lead (Pb), which has been removed from all designs to fulfill the requirement of containing less than 0.1% of lead in any homogeneous material. KEMET will closely follow any changes in legislation worldwide and make any necessary changes in its products, whenever needed.

Some customer segments such as medical, military and automotive electronics may still require the use of lead in electrode coatings. To clarify the situation and distinguish products from each other, a special symbol is used on the packaging labels for RoHS compatible capacitors.

Due to customer requirements, there may appear additional markings such as lead-free (LF), or lead-free wires (LFW) on the label.

Table 1 – Ratings & Part Number Reference

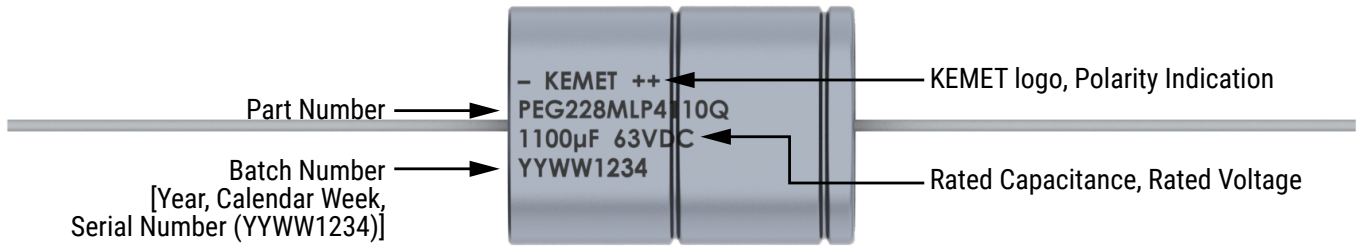
Rated Voltage	Rated Capacitance	Size Code	Case Size	Ripple Current					ESR			Part Number
				Maximum			Rated	Maximum	Maximum			
(VDC)	100 Hz 20°C (µF)		D x L (mm)	≥ 5 kHz 125°C (A) ¹	≥ 5 kHz 140°C (A) ¹	≥ 5 kHz 150°C (A) ¹	≥ 5 kHz 125°C (A) ²	≥ 5 kHz 125°C (A) ³	100 Hz 20°C (mΩ)	100 kHz 20°C (mΩ)	5 – 100 kHz 125 – 150°C (mΩ)	Part Number Options
25	2,100	KL	16 x 27	17	10.8	4.8	6.1	7.7	58	32	12.3	PEG228HKL4210ME4
25	3,000	KP	16 x 35	19.1	12.1	5.4	7.3	9.2	41	23	9.8	PEG228HKP4300ME4
25	2,800	LL	18 x 27	19.2	12.1	5.4	6.9	8.8	43	24	10.6	PEG228HLL4280QE4
25	4,100	LP	18 x 35	21.4	13.6	6.1	8.3	10.4	31	18	8.5	PEG228HLP4410QE4
25	4,700	LQ	18 x 39	22.1	14	6.3	8.8	11.1	27	16	8	PEG228HLQ4470QE4
25	3,700	ML	20 x 27	22.9	14.5	6.5	7.5	9.5	35	20	9.9	PEG228HML4370QE4
25	5,300	MP	20 x 35	25.4	16	7.2	8.9	11.3	25	15	8.1	PEG228HMP4530QE4
25	7,000	MS	20 x 43	27	17	7.6	9.9	12.5	20	13	7.2	PEG228HMS4700QE4
40	1,100	KL	16 x 27	16.5	10.4	4.7	5.9	7.5	79	32	13.1	PEG228KKL4110QE4
40	1,700	KP	16 x 35	18.8	11.9	5.3	7.2	9	54	23	10.1	PEG228KKP4170QE4
40	1,700	LL	18 x 27	18.8	11.9	5.3	6.8	8.6	55	24	11	PEG228KLL4170QE4
40	2,400	LP	18 x 35	21.1	13.3	6	8.2	10.3	39	18	8.8	PEG228KLP4240QE4
40	2,800	LQ	18 x 39	21.8	13.8	6.2	8.6	10.9	34	16	8.2	PEG228KLQ4280QE4
40	2,200	ML	20 x 27	22.6	14.3	6.4	7.4	9.3	44	20	10.2	PEG228KML4220QE4
40	3,200	MP	20 x 35	25.2	15.9	7.1	8.8	11.1	31	15	8.2	PEG228KMP4320QE4
40	4,200	MS	20 x 43	26.7	16.9	7.6	9.8	12.3	25	13	7.3	PEG228KMS4420QE4
63	520	KL	16 x 27	12.7	8.1	3.6	4.6	5.8	133	45	22	PEG228MKL3520QE4
63	750	KP	16 x 35	14.8	9.3	4.2	5.6	7.1	93	32	16.4	PEG228MKP3750QE4
63	750	LL	18 x 27	15	9.5	4.3	5.4	6.9	94	33	17.3	PEG228MLL3750QE4
63	1,100	LP	18 x 35	17.1	10.8	4.8	6.6	8.4	66	24	13.3	PEG228MLP4110QE4
63	1,200	LQ	18 x 39	18	11.4	5.1	7.1	9	60	21	12.1	PEG228MLQ4120QE4
63	990	ML	20 x 27	18.5	11.7	5.2	6.1	7.7	74	27	15.2	PEG228MML3990QE4
63	1,400	MP	20 x 35	21.1	13.3	6	7.4	9.4	53	20	11.7	PEG228MMP4140QE4
63	1,800	MS	20 x 43	22.7	14.4	6.4	8.4	10.6	42	16	10.1	PEG228MMS4180QE4
80	380	KL	16 x 27	12.1	7.7	3.4	4.5	5.6	175	59	24.2	PEG228NKL3380QE4
80	560	KP	16 x 35	13.9	8.8	3.9	5.2	6.4	123	44	18.5	PEG228NKP3560QE4
80	570	LL	18 x 27	14.2	9.0	4.0	5.4	6.7	122	45	19.3	PEG228NLL3570QE4
80	820	LP	18 x 35	16.4	10.3	4.6	6.5	8.1	86	32	14.6	PEG228NLP3820QE4
80	960	LQ	18 x 39	17.2	10.9	4.9	6.9	8.6	74	28	13.2	PEG228NLQ3960QE4
80	750	ML	20 x 27	17.7	11.2	5.0	6.2	7.6	95	36	16.6	PEG228NML3750QE4
80	1,100	MP	20 x 35	20.3	12.8	5.7	7.4	9.2	66	26	12.7	PEG228NMP4110QE4
80	1,400	MS	20 x 43	22.0	13.9	6.2	8.2	10.2	52	21	10.8	PEG228NMS4140QE4
Rated Voltage	Rated Capacitance	Size Code	Case Size	Ripple Current					ESR			Part Number

¹ Capacitor-mounted with low thermal resistance path (heat-sink).

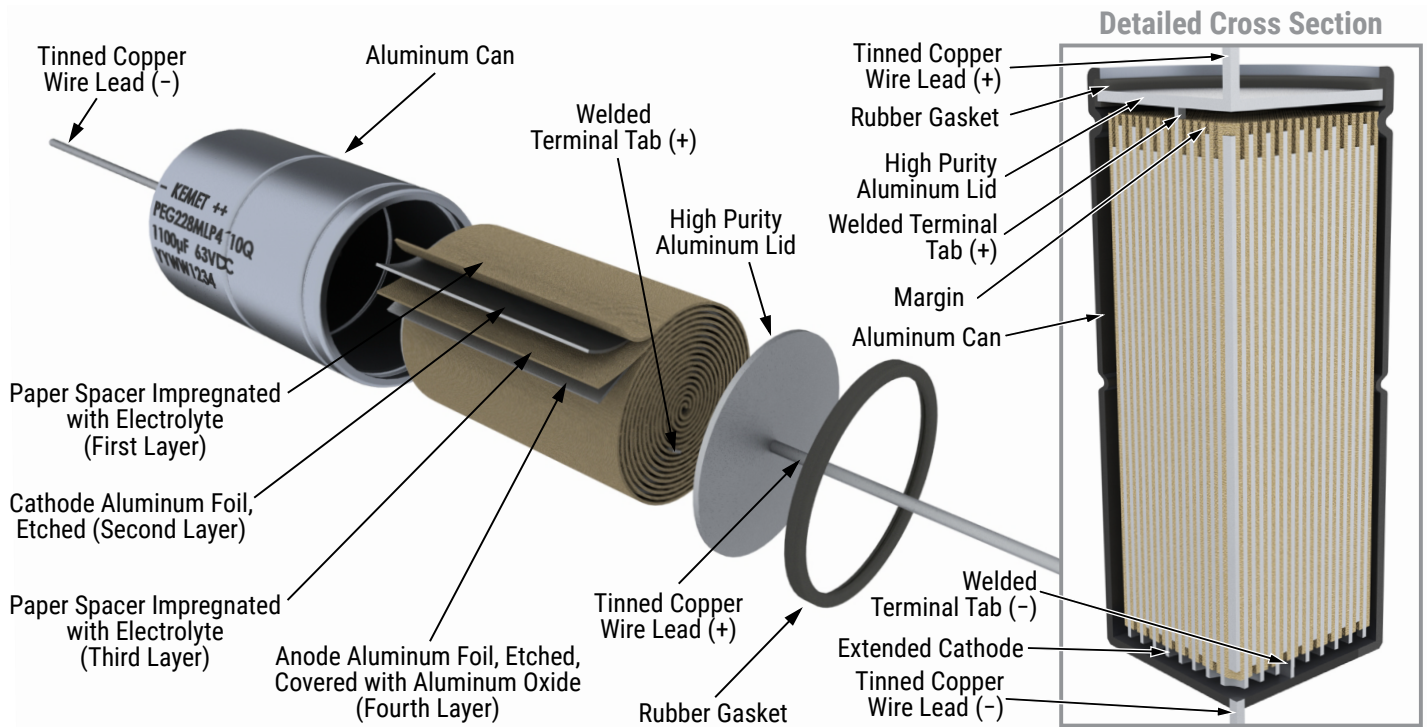
² Continuous operation at Natural Convection (D20 & D18, 4,000h; D16, 3000h)

³ Continuous operation at Natural Convection. Reduced life (D20 & D18, 2000h; D16, 1500h)

Marking



Construction



Construction Data

The manufacturing process begins with the anode foil being electrochemically etched to increase the surface area and then “formed” to produce the aluminum oxide layer. Both the anode and cathode foils are then interleaved with absorbent paper and wound into a cylinder. During the winding process, aluminum tabs are attached to each foil to provide the electrical contact.

The winding is assembled to the capacitor Al-can and to the Al-lid. The can is filled with electrolyte and the winding is impregnated during a vacuum treatment. The capacitor is sealed. Throughout the process, all materials inside the housing must be maintained at the highest purity and be compatible with the electrolyte.

Each capacitor is aged and tested before being packed. The purpose of aging is to repair any damage in the oxide layer and thus reduce the leakage current to a very low level. Aging is carried out at elevated temperature and is accomplished by applying voltage to the device while carefully controlling the supply current. The process takes between 2 and 20 hours, depending on voltage rating.

Damage to the oxide layer can occur due to a variety of reasons:

- Slitting of the anode foil after forming
- Attaching the tabs to the anode foil
- Minor mechanical damage caused during winding

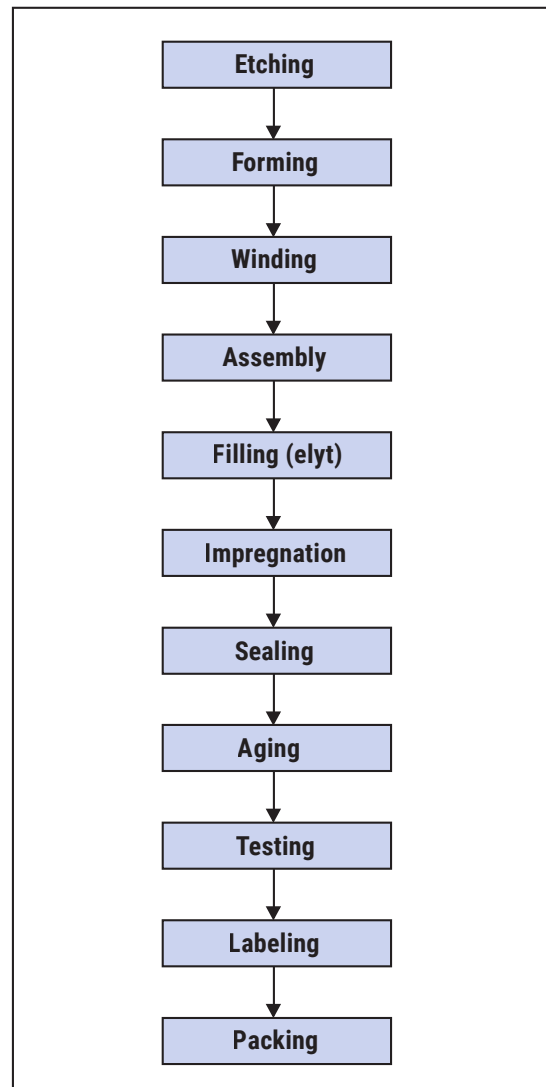
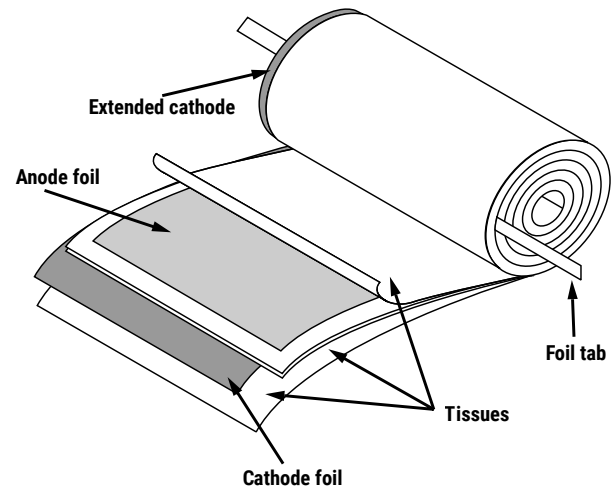
The following tests are applied for each individual capacitor.

Electrical:

- Leakage current
- Capacitance
- ESR
- Tan Delta

Mechanical/Visual:

- Pull strength test of wire terminals
- Print detail
- Box labels
- Packaging, including packed quantity



KEMET Electronics Corporation Sales Offices

For a complete list of our global sales offices, please visit www.kemet.com/sales.

Disclaimer

YAGEO Corporation and its affiliates do not recommend the use of commercial or automotive grade products for high reliability applications or manned space flight.

All product specifications, statements, information and data (collectively, the "Information") in this datasheet are subject to change. The customer is responsible for checking and verifying the extent to which the Information contained in this publication is applicable to an order at the time the order is placed. All Information given herein is believed to be accurate and reliable, but it is presented without guarantee, warranty, or responsibility of any kind, expressed or implied.

Statements of suitability for certain applications are based on KEMET Electronics Corporation's ("KEMET") knowledge of typical operating conditions for such applications, but are not intended to constitute – and KEMET specifically disclaims – any warranty concerning suitability for a specific customer application or use. The Information is intended for use only by customers who have the requisite experience and capability to determine the correct products for their application. Any technical advice inferred from this Information or otherwise provided by KEMET with reference to the use of KEMET's products is given gratis, and KEMET assumes no obligation or liability for the advice given or results obtained.

Although KEMET designs and manufactures its products to the most stringent quality and safety standards, given the current state of the art, isolated component failures may still occur. Accordingly, customer applications which require a high degree of reliability or safety should employ suitable designs or other safeguards (such as installation of protective circuitry or redundancies) in order to ensure that the failure of an electrical component does not result in a risk of personal injury or property damage.

Although all product-related warnings, cautions and notes must be observed, the customer should not assume that all safety measures are indicated or that other measures may not be required.

KEMET requires its products to be packaged and shipped on pallets. This is because KEMET's products are specifically designed to be packed onto pallets during shipment. If for any reason, the products are removed from pallets by the shipping party and shipped to the end customer, then additional external protection is required. In this instance, an external box with two carton layers and an upwards orientation sticker must be used by the shipping party, with the empty space filled with filling material, and afterwards sealing the box. If this packing and packaging guideline is not followed by the shipping party, the shipping party, and not KEMET, will be held responsible for any packaging, packing and/or product damages upon delivery of the products to the end customer. KEMET hereby disclaims any liability for damages to the products or otherwise that have been, or threaten to be, inflicted, result from or are in any way related to the packaging, packing or damage by the shipping party in contravention of the packing and packaging guidelines herein.

KEMET is a registered trademark of KEMET Electronics Corporation.