

6

5

4

3

2

1

D

D

C

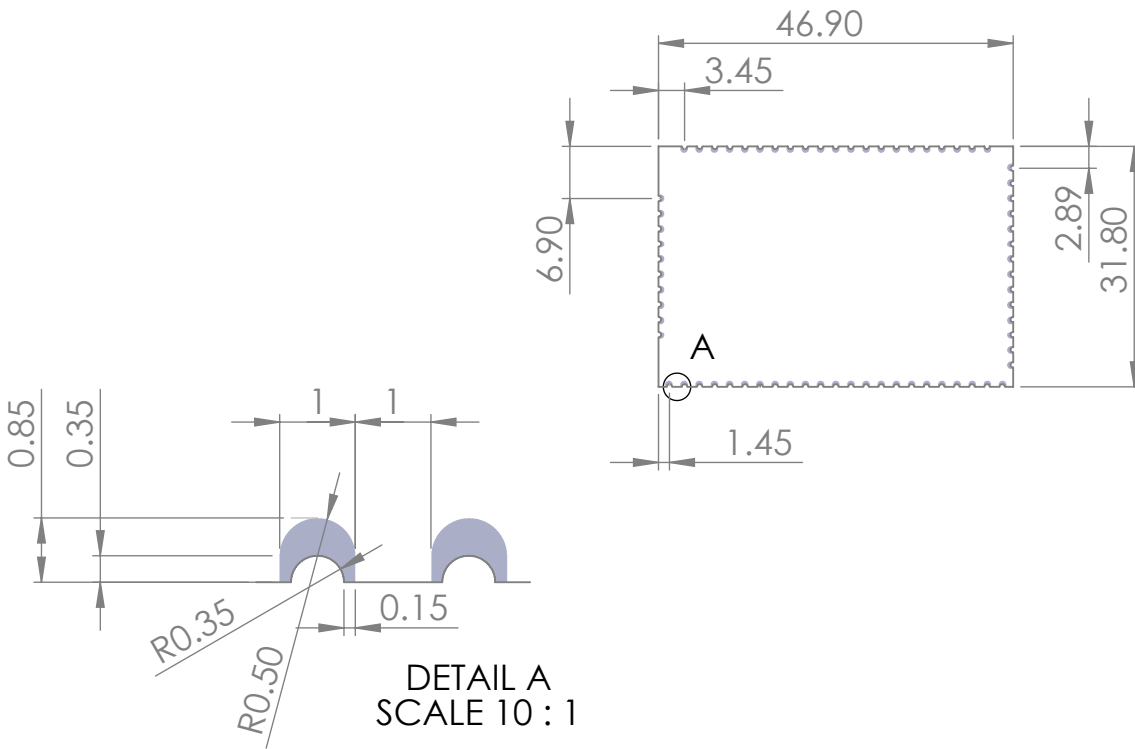
C

B

B

A

A



UNLESS OTHERWISE SPECIFIED: DIMENSIONS ARE IN MILLIMETERS SURFACE FINISH: TOLERANCES: LINEAR: ANGULAR:			FINISH:			DEBURR AND BREAK SHARP EDGES		DO NOT SCALE DRAWING		REVISION	
										TITLE:	
DRAWN			NAME			SIGNATURE		DATE			
CHK'D											
APPV'D											
MFG											
Q.A								MATERIAL:		DWG NO. rambutan_PADS	
										A4	
								WEIGHT:		SCALE:1:1	
										SHEET 1 OF 1	

6

5

4

3

2

1