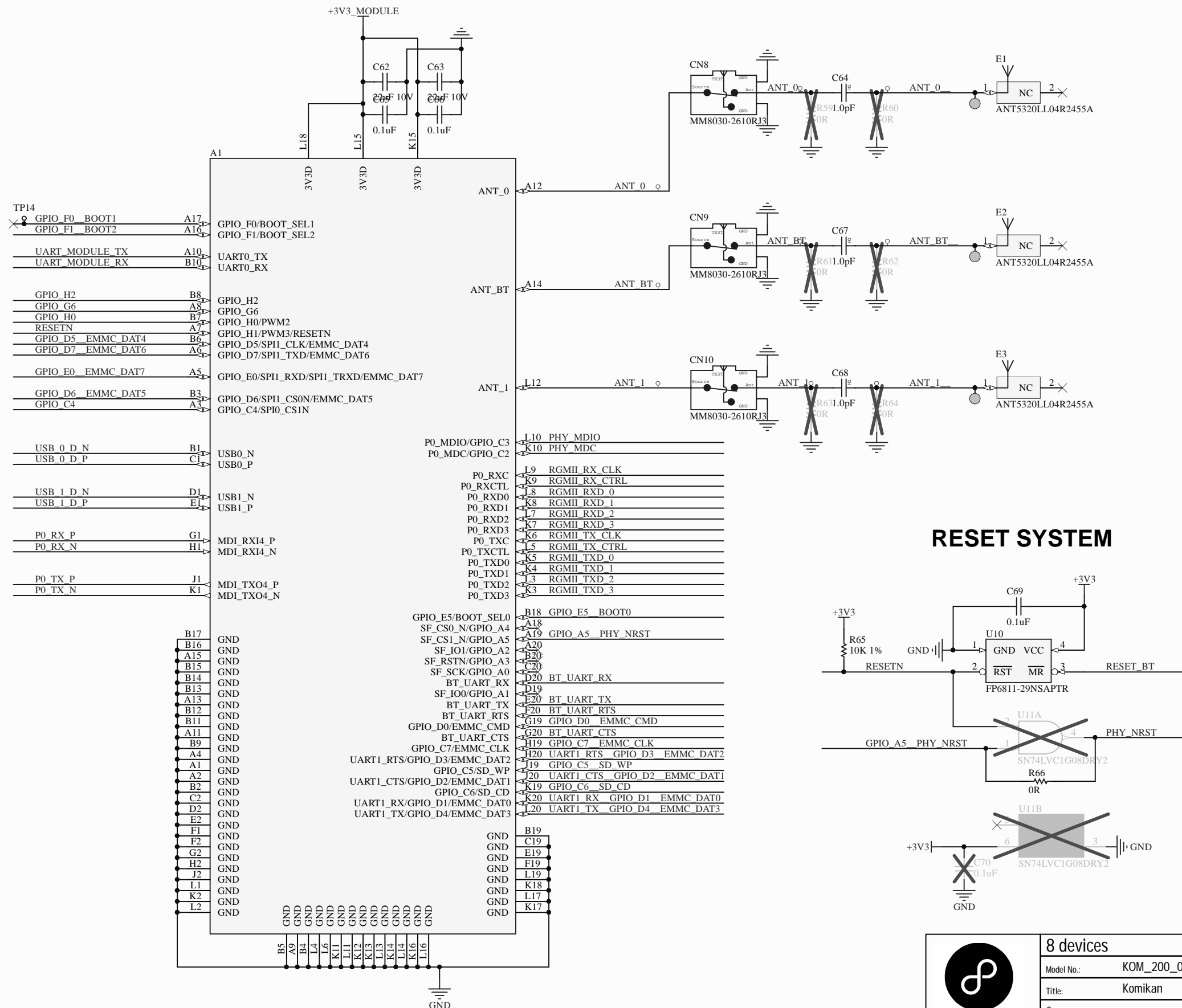
 <b>Devices</b>	8 devices	
	Model No.: KOM_200_06.PrjPCB	
	Title: TITLE	SCH Rev. 6
	Approved By:	Designed By:
	Date: 9/19/2019	Sheet: 1 of 9

# KOMIKAN MODULE

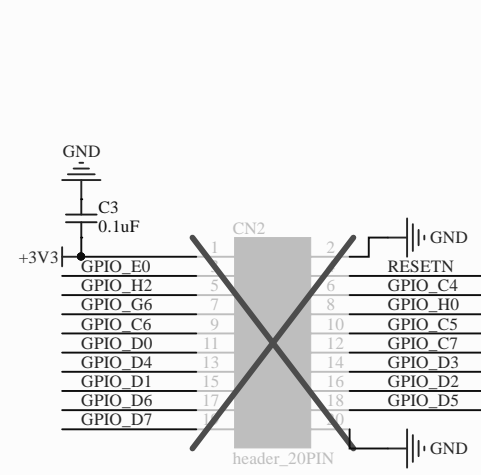
# ANTENNAS



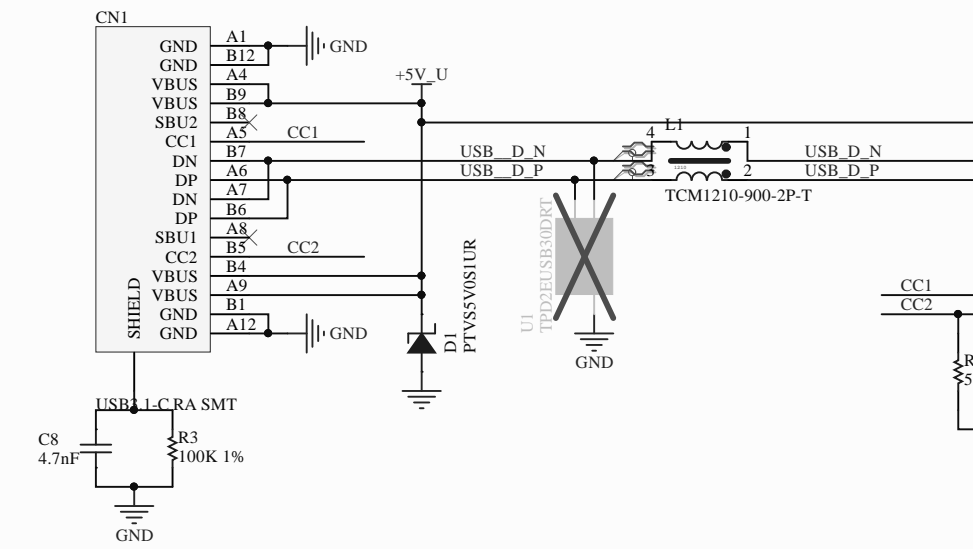
## RESET SYSTEM

		8 devices	
		Model No.: KOM_200_06.PrjPCB	
Title: Komikan		SCH Rev. 6	
Approved By:		Designed By:	
Date: 9/19/2019		Sheet: 2 of 9	

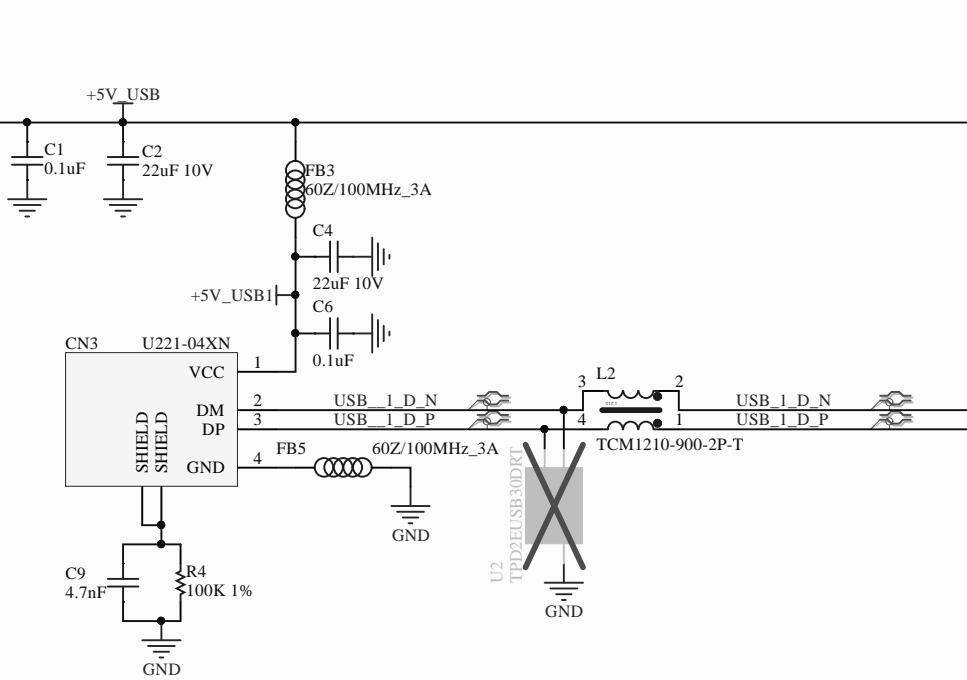
### GPIO HEADER



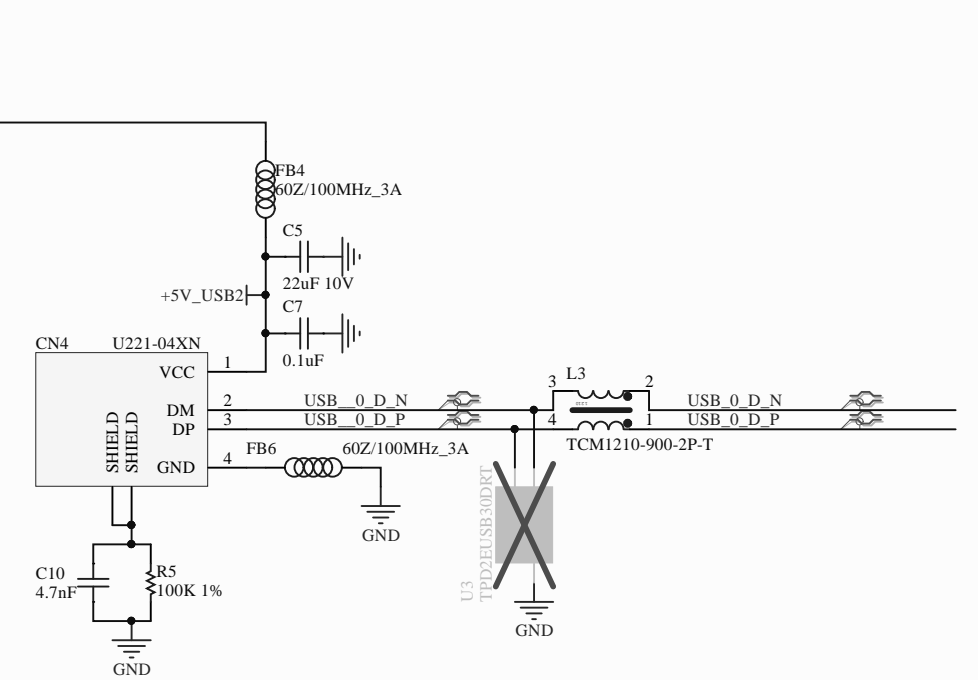
### USB-C POWER AND UART



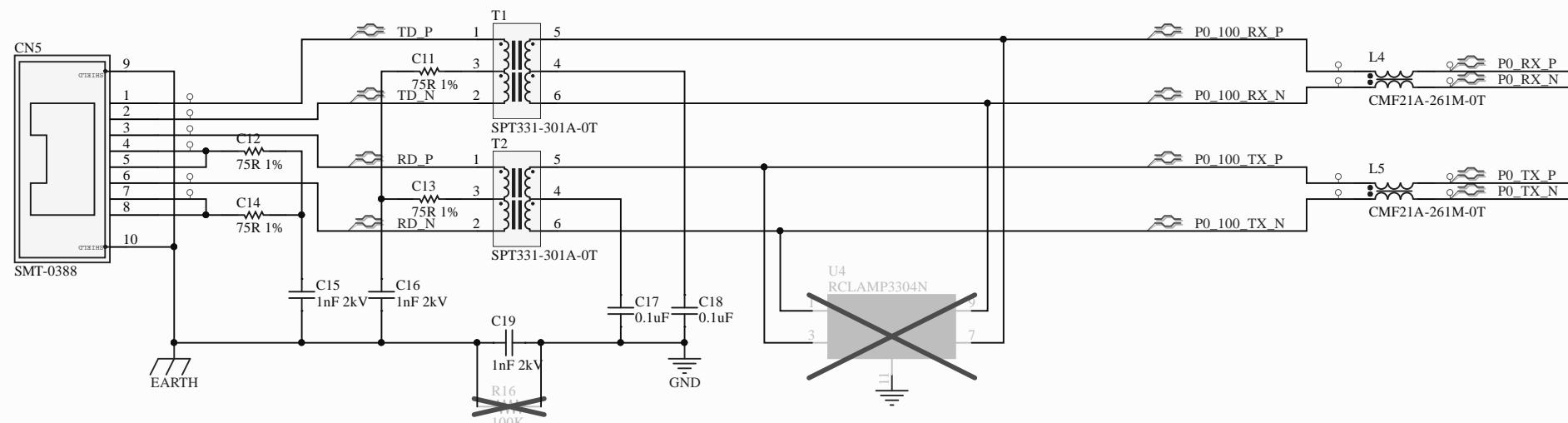
### USB PORT 1



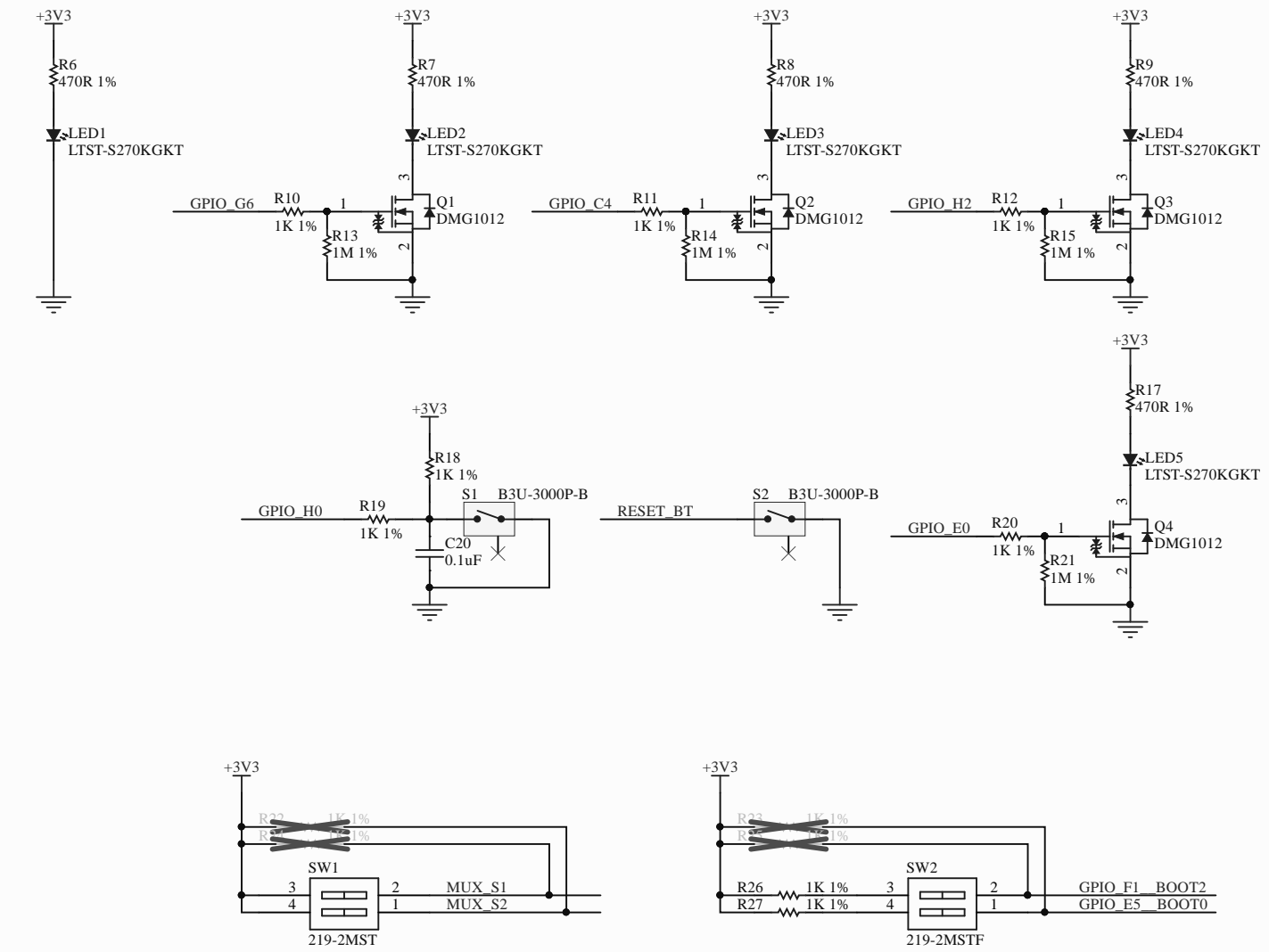
### USB PORT 0



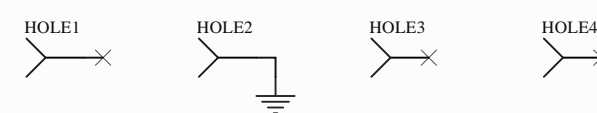
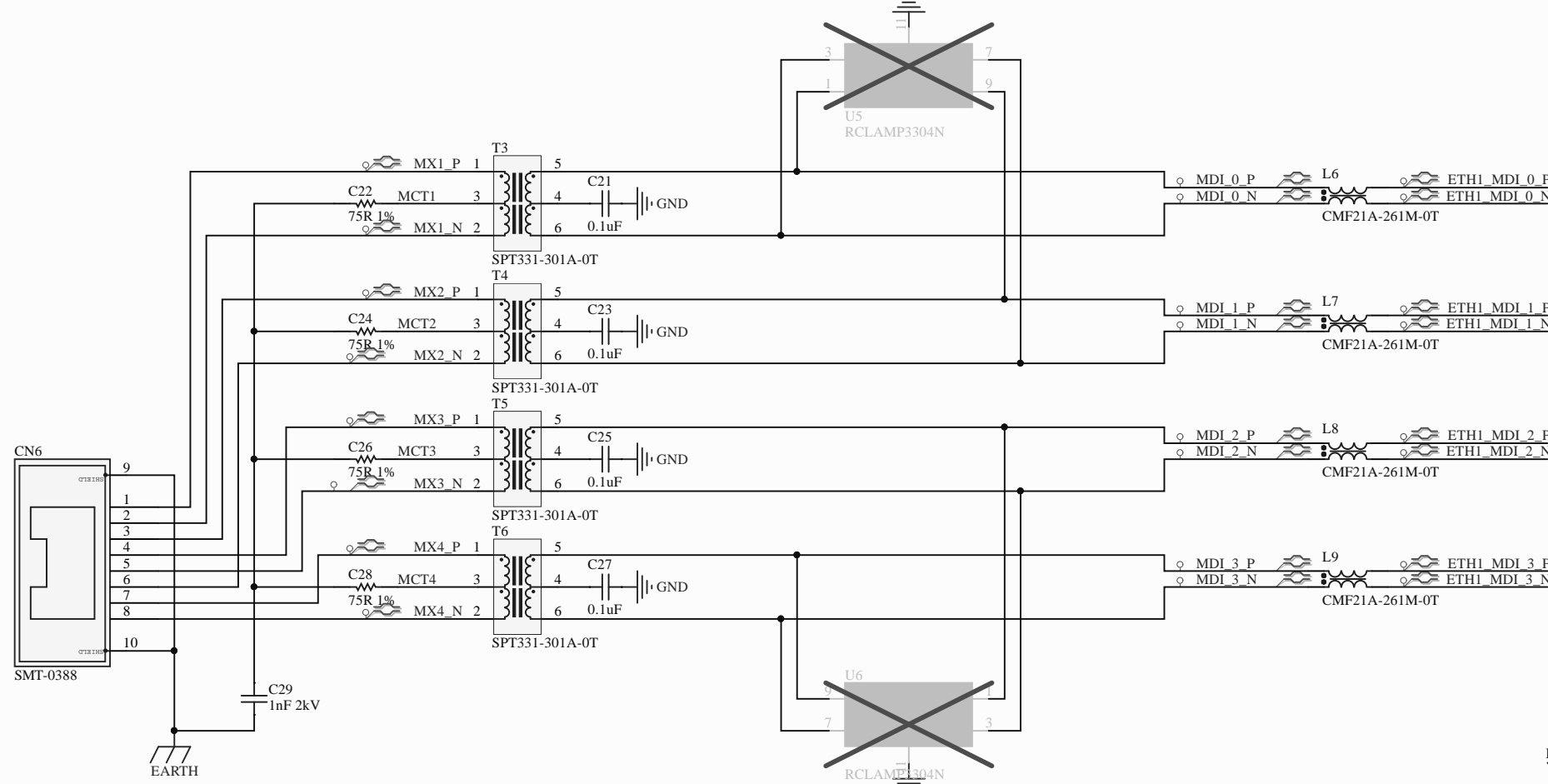
### ETHERNET PORT 1



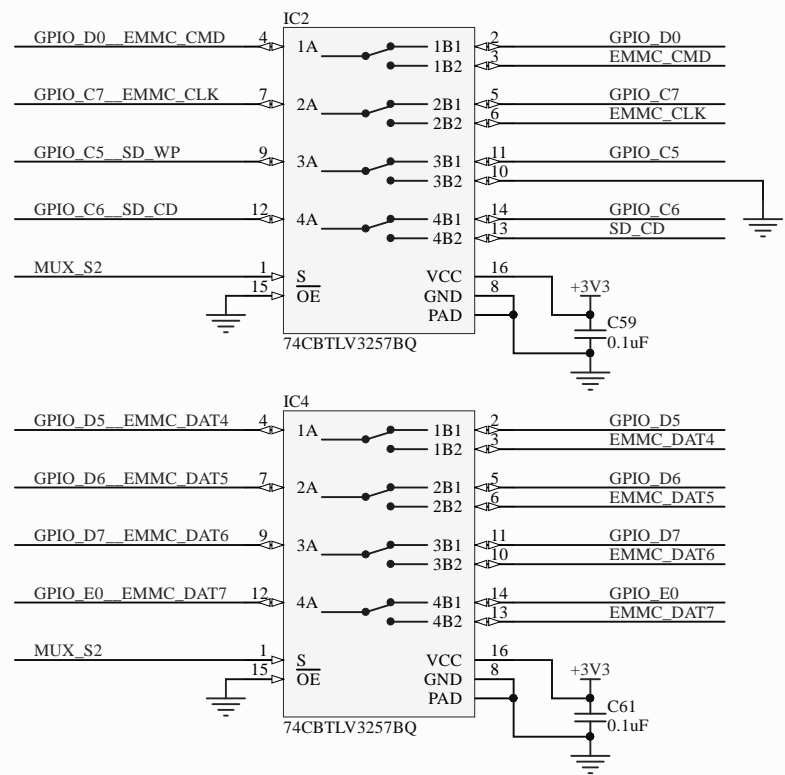
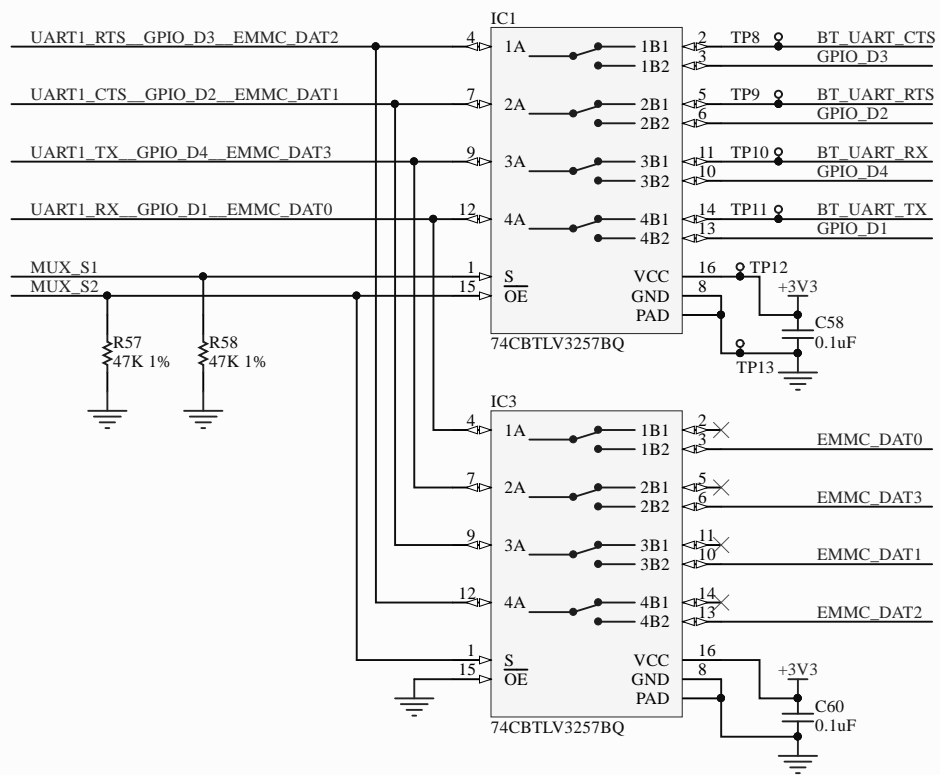
### LEDS AND SWITCHES




### ETHERNET PORT 0 (EXTERNAL PHY)

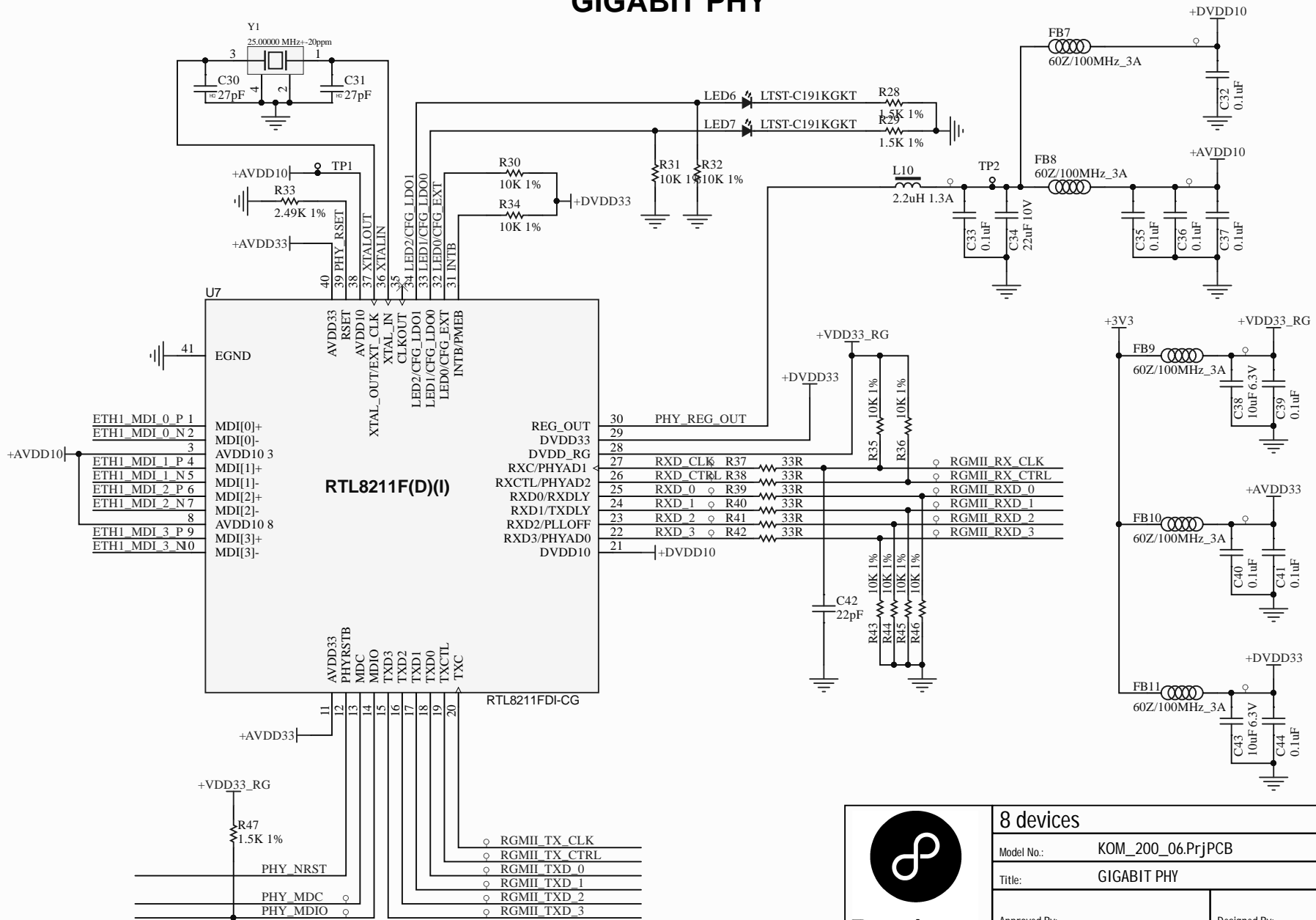



	8 devices	
	Model No.:	KOM_200_06.PrjPCB
	Title:	10 SCH Rev. 6
	Approved By:	Designed By:
	Date:	9/19/2019 Sheet: 3 of 9



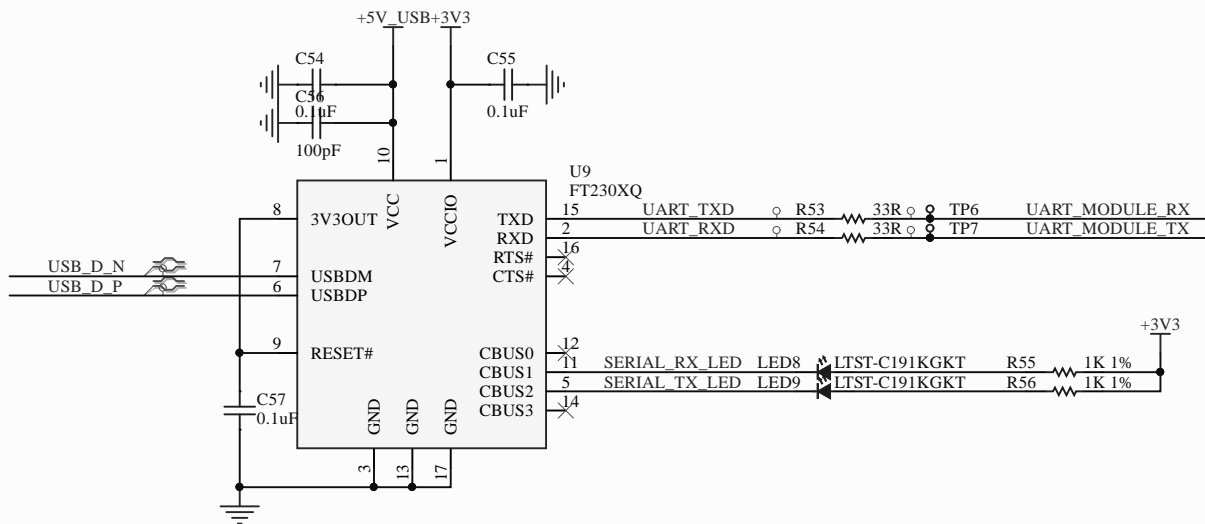
 <p>Devices</p>	8 devices	
	Model No.: KOM_200_06.PrjPCB	
	Title: MUX	SCH Rev. 6
	Approved By:	Designed By:
	Date: 9/19/2019	Sheet: 4 of 9


# GIGABIT PHY



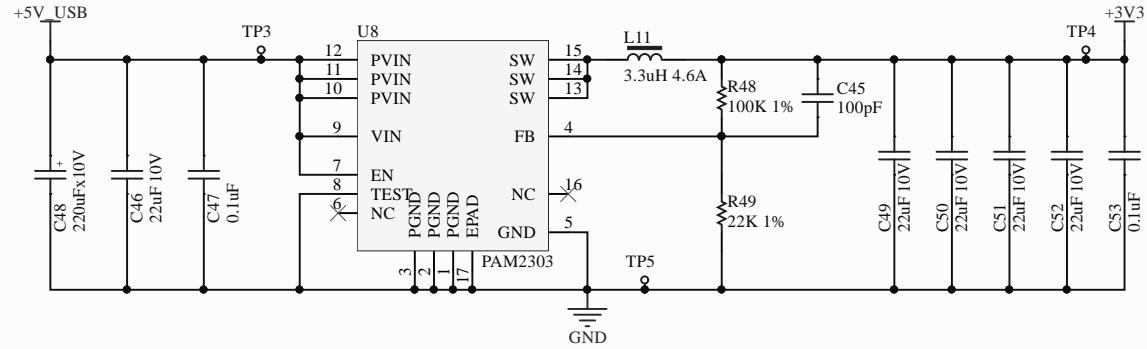
	8 devices	
	Model No.: KOM_200_06.PrjPCB	
	Title: GIGABIT PHY	SCH Rev. 6
	Approved By:	Designed By:
	Date: 9/19/2019	Sheet: 5 of 9

# UART BRIDGE

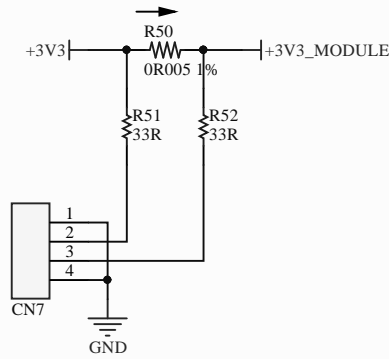



 <b>Devices</b>	8 devices	
	Model No.: KOM_200_06.PrjPCB	
	Title: UART BRIDGE	SCH Rev. 6
	Approved By:	Designed By:
	Date: 9/19/2019	Sheet: 6 of 9

### 3.3V 3A DC/DC

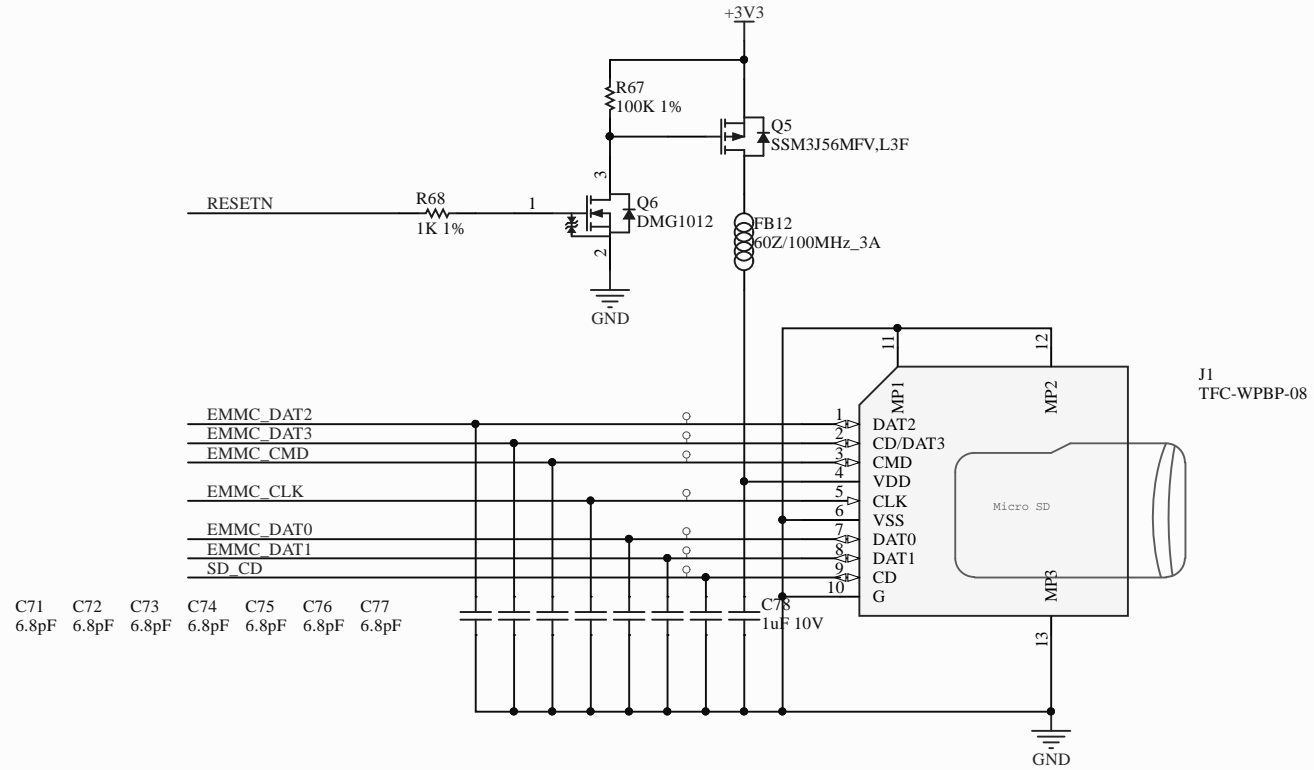



### POWER MONITOR



 <b>Devices</b>	8 devices	
	Model No.: KOM_200_06.PrjPCB	
	Title: POWER MGMT	SCH Rev. 6
	Approved By:	Designed By:
	Date: 9/19/2019	Sheet: 7 of 9

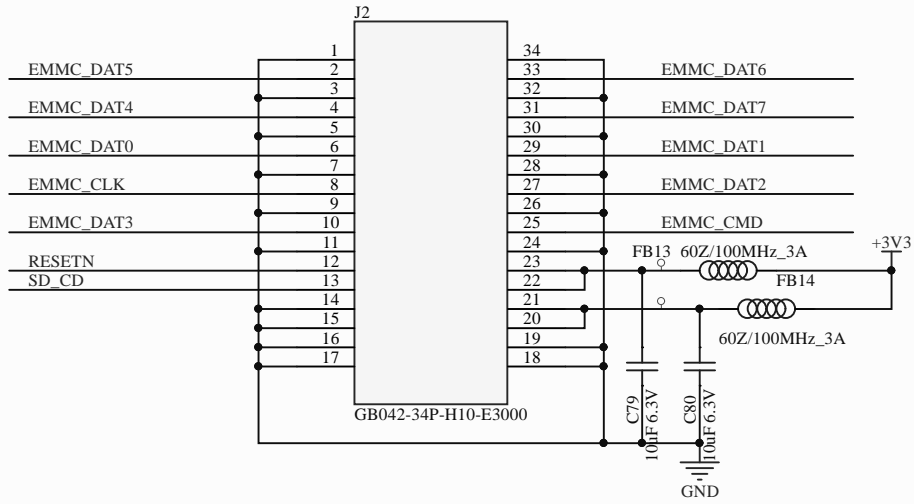
# EXTERNAL SD MEMORY




 <b>Devices</b>	8 devices	
	Model No.: KOM_200_06.PrjPCB	
	Title: SD	SCH Rev. 6
	Approved By:	Designed By:
	Date: 9/19/2019	Sheet: 8 of 9



# EXTERNAL EMMC MEMORY



 <b>Devices</b>	8 devices		
	Model No.: KOM_200_06.PrjPCB		
	Title: EMMC		SCH Rev. 6
	Approved By:		Designed By:
	Date: 9/19/2019	Sheet: 9 of 9	