

6 5 4 3 2 1

D

D

C

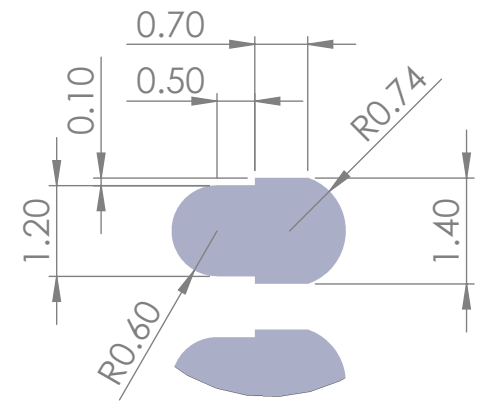
C

B

B

A

A



DETAIL A
SCALE 10 : 1

UNLESS OTHERWISE SPECIFIED: DIMENSIONS ARE IN MILLIMETERS SURFACE FINISH: TOLERANCES: LINEAR: ANGULAR:				FINISH:		DEBURR AND BREAK SHARP EDGES		DO NOT SCALE DRAWING		REVISION	
		NAME	SIGNATURE	DATE				TITLE:			
DRAWN											
CHK'D											
APPV'D											
MFG											
Q.A					MATERIAL:			DWG. NO.			
								soldering_paste_footprint			
					WEIGHT:			SCALE:2:1		SHEET 1 OF 1	

6 5 4 3 2 1

soldering_paste_footprint

A4