

A

A

B

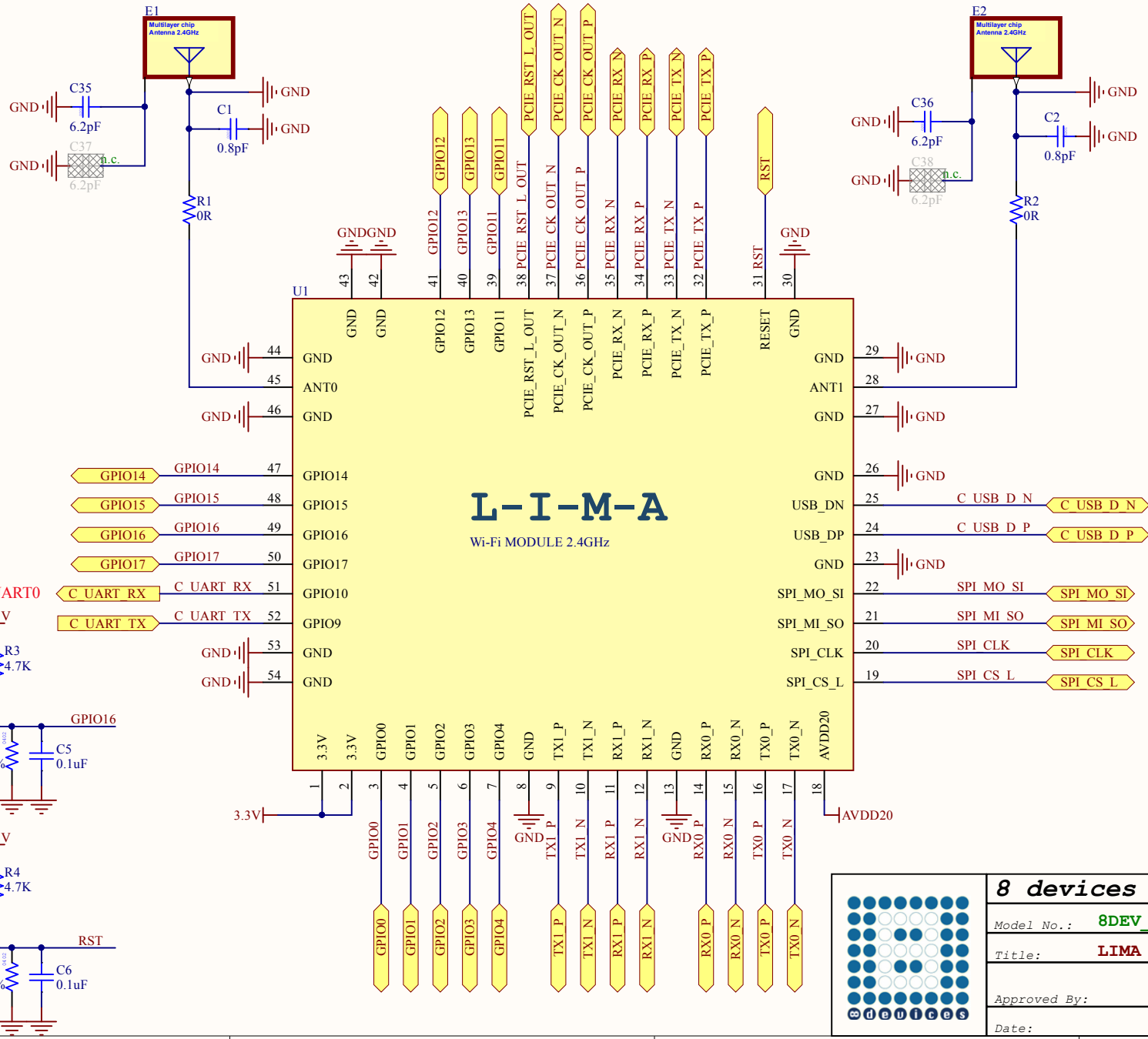
B


C

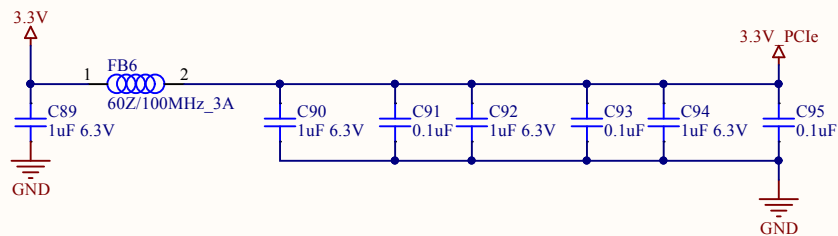
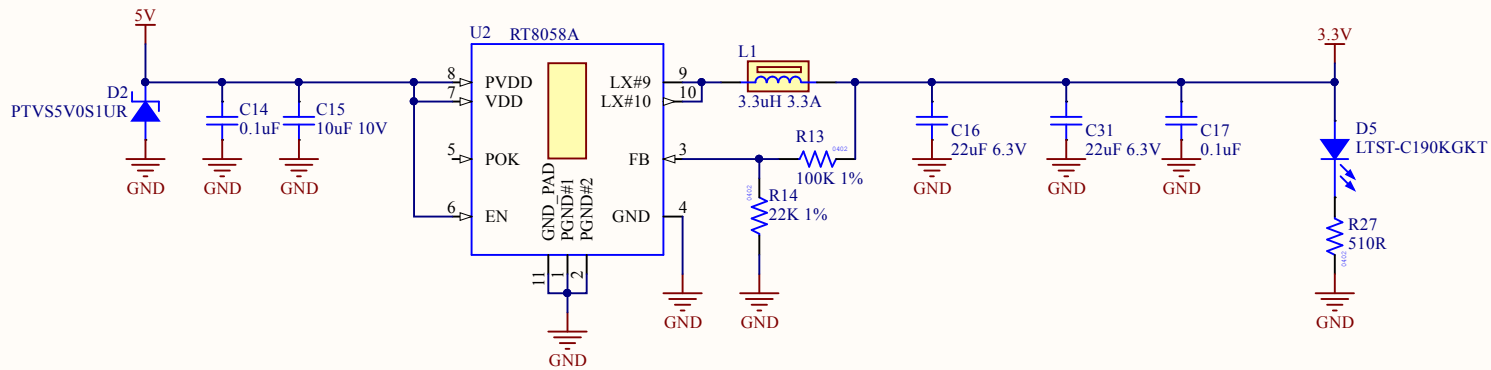
C

D

D

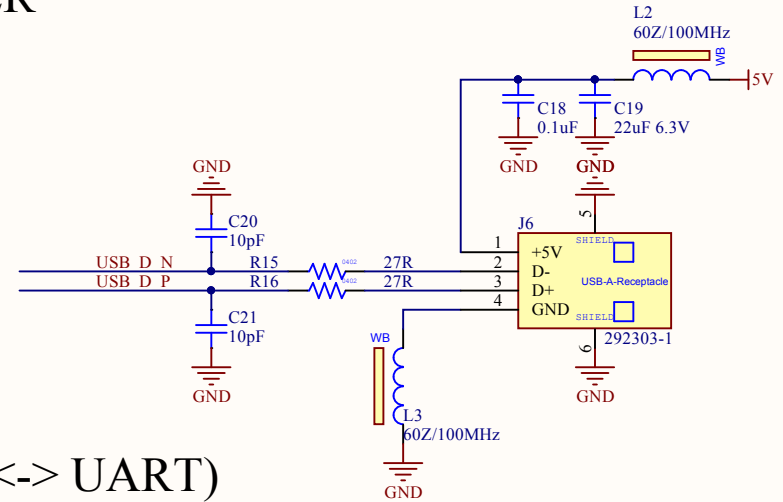
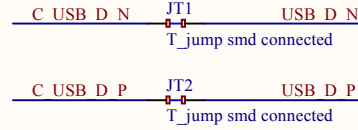
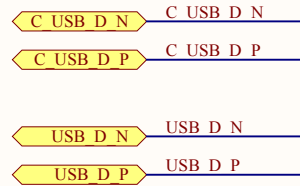


	8 devices	
	Model No.: 8DEV_1601_0006.PrjPcb	
	Title: LIMA MODULE	SCH Rev. v6.0
	Approved By:	Drawn By:
Date: 2016-10-10	Sheet: 1 of 5	

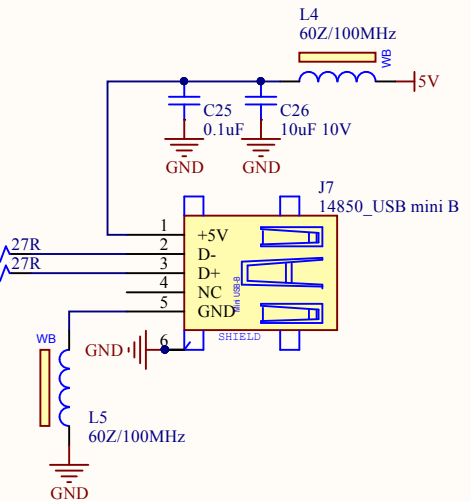
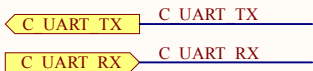
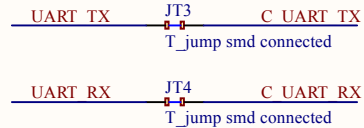
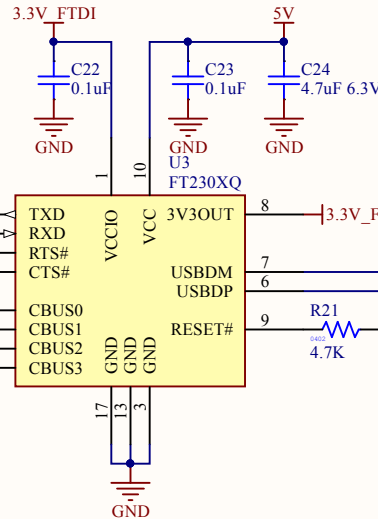
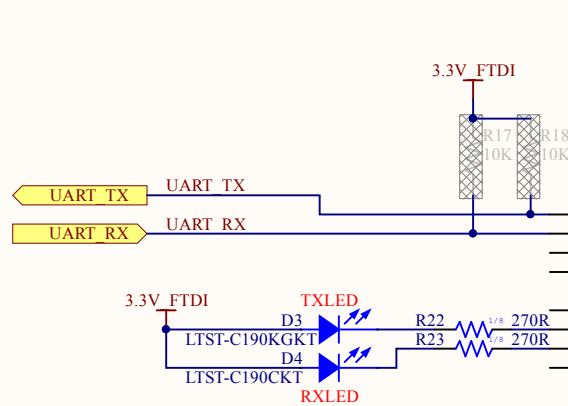


	8 devices	
	Model No.: 8DEV_1601_0006.PrjPcb	
	Title: Power	SCH Rev. v6.0
	Approved By:	Drawn By:
	Date: 2016-10-10	Sheet: 2 of 5

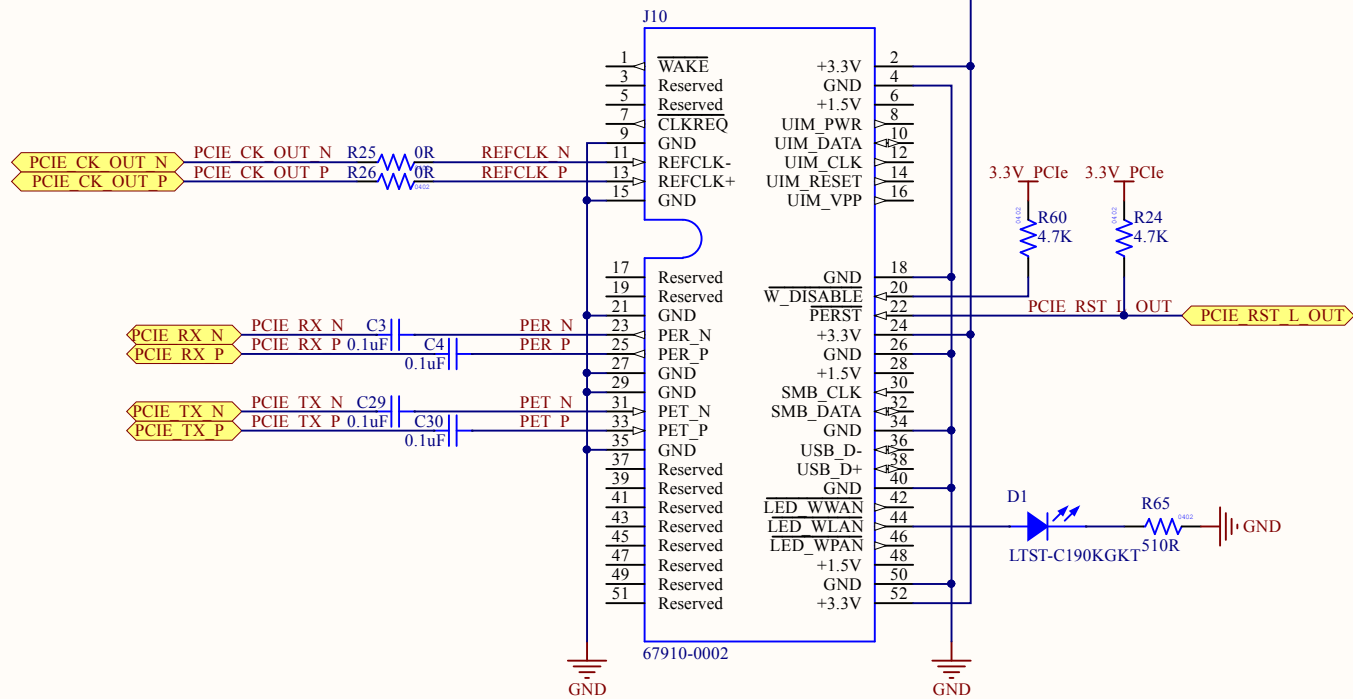
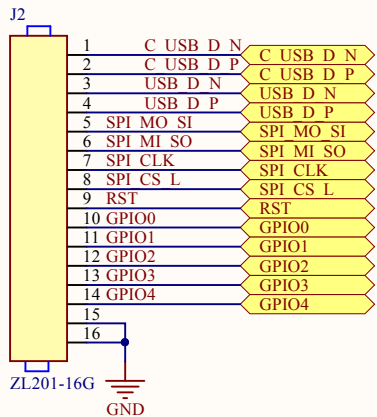
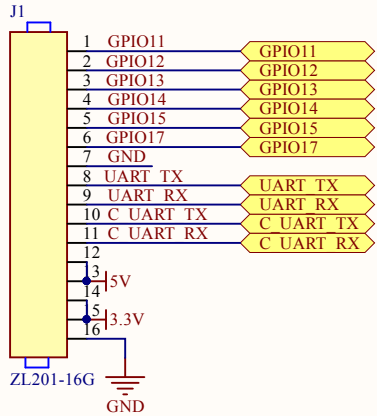
USB MASTER



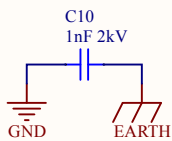
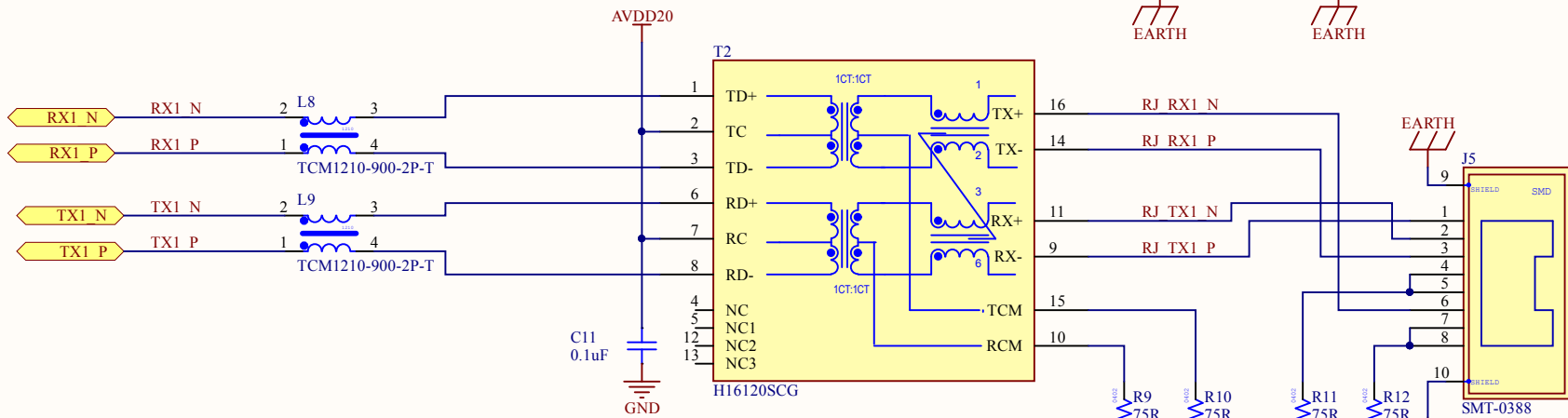
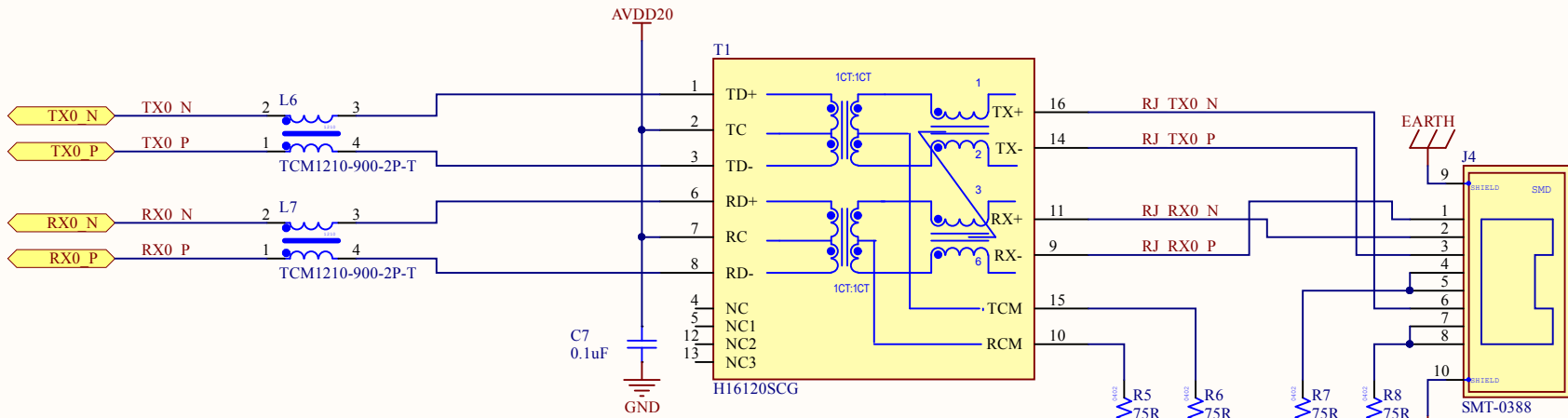
USB SLAVE (USB <-> UART)



		8 devices	
		Model No.: 8DEV_1601_0006.PrjPcb	
Title: USB		SCH Rev. v6.0	
Approved By:		Drawn By:	
Date:		2016-10-10 Sheet: 3 of 5	



	8 devices	
	Model No.: 8DEV_1601_0006.PrjPcb	
	Title: Connectors	SCH Rev. v6.0
	Approved By:	Drawn By:
	Date: 2016-10-10	Sheet: 4 of 5



	8 devices	
	Model No.: 8DEV_1601_0006.PrjPcb	
	Title: Ethernet	SCH Rev. v6.0
	Approved By:	Drawn By:
	Date: 2016-10-10	Sheet: 5 of 5