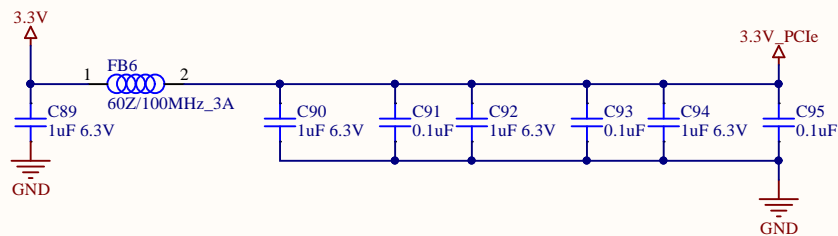
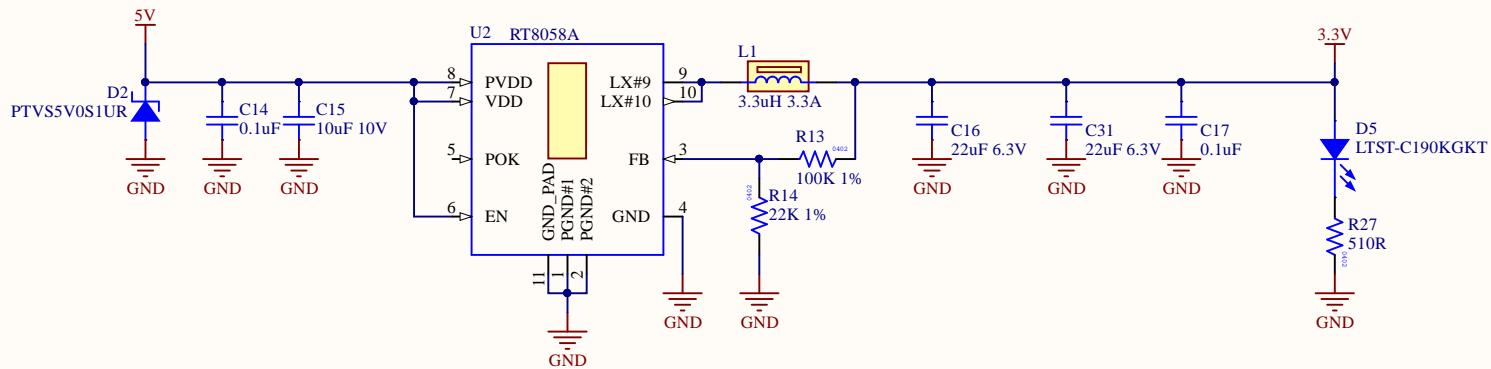


L-I-M-A

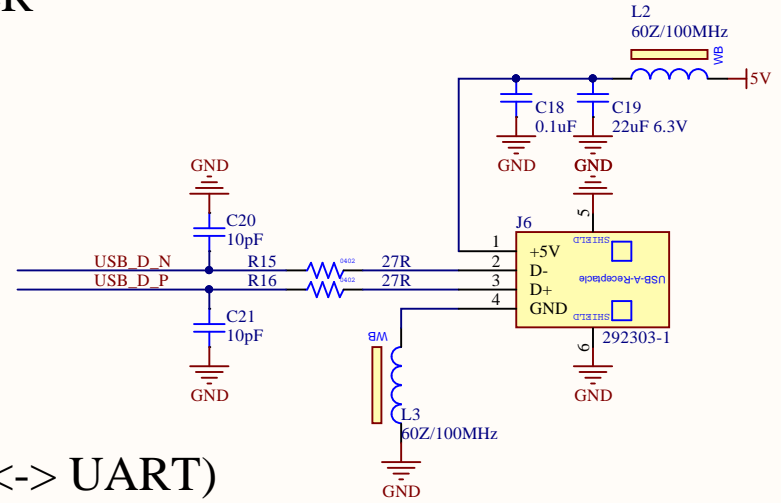
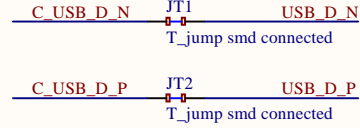
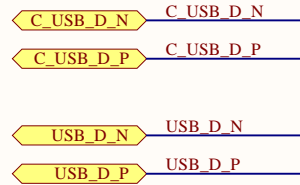
Wi-Fi MODULE 2.4GHz

8 devices	
Model No.: 8DEV_1601_0006.PrjPcb	
Title: LIMA MODULE	SCH Rev. v6.0
Approved By:	Drawn By:
Date: 2018-08-27	Sheet: 1 of 5

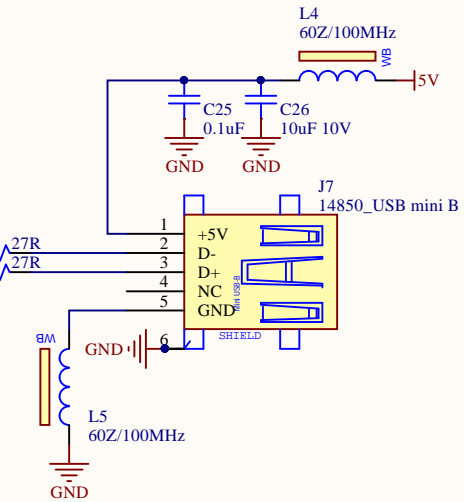
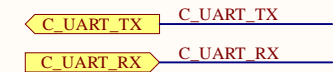
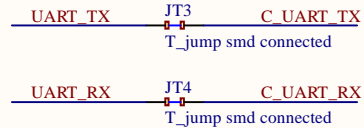
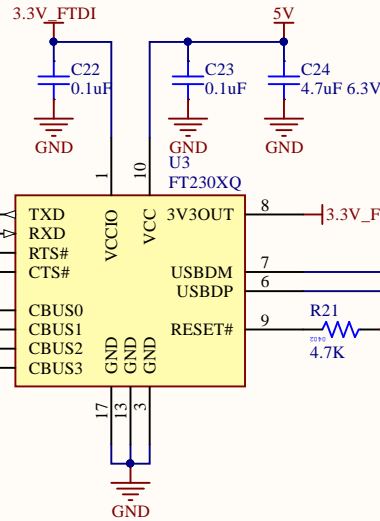
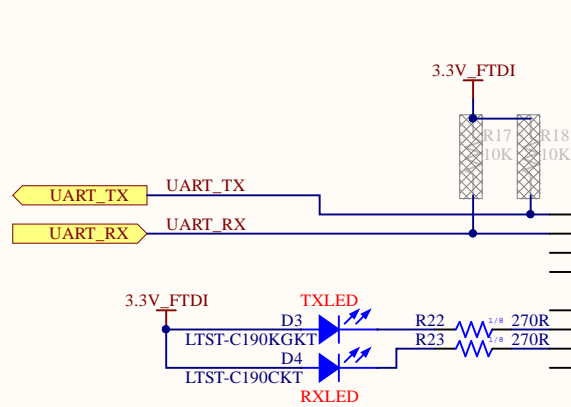


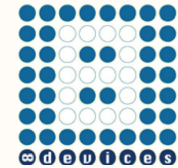
	8 devices	
	Model No.: 8DEV_1601_0006.PrpPcb	
	Title: Power	SCH Rev. v6.0
	Approved By:	Drawn By:
	Date: 2018-08-27	Sheet: 2 of 5

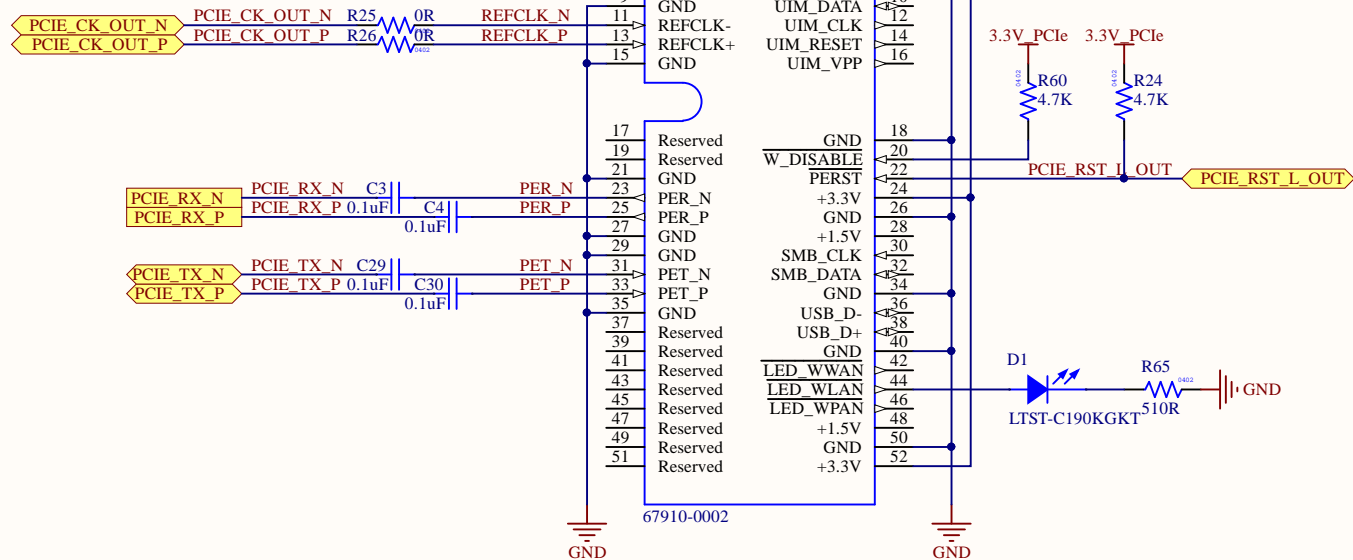
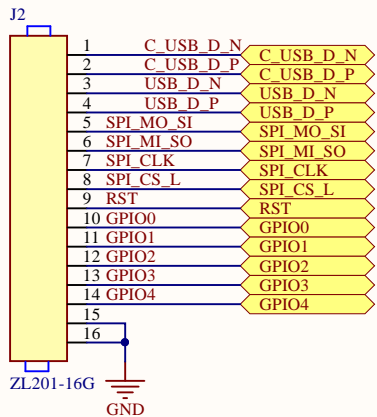
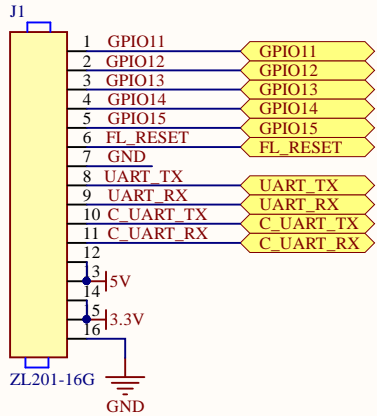
USB MASTER



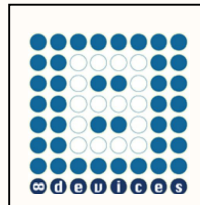
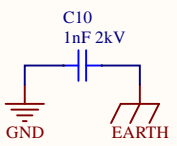
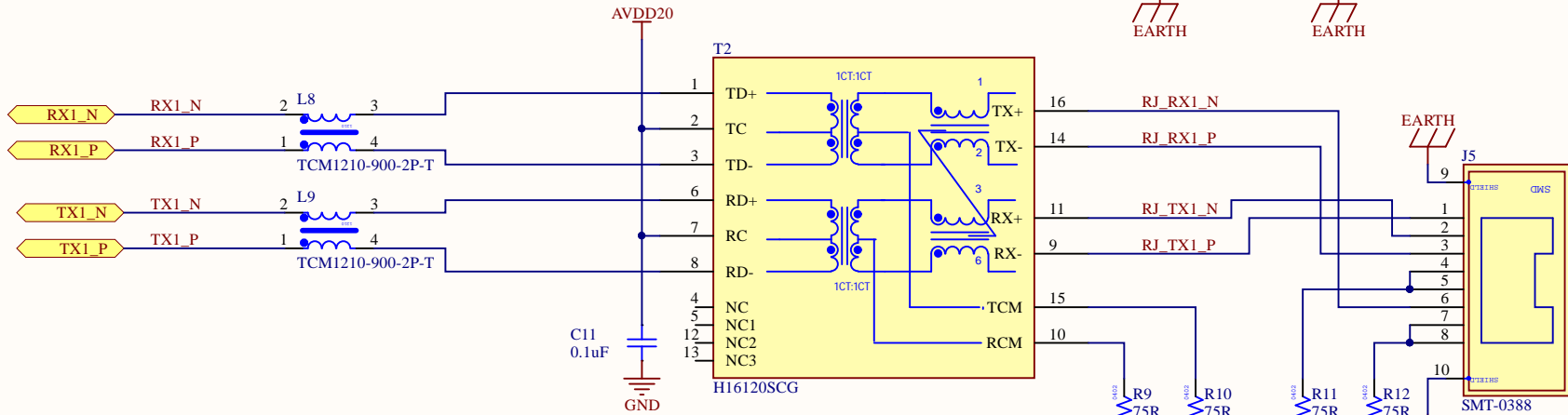
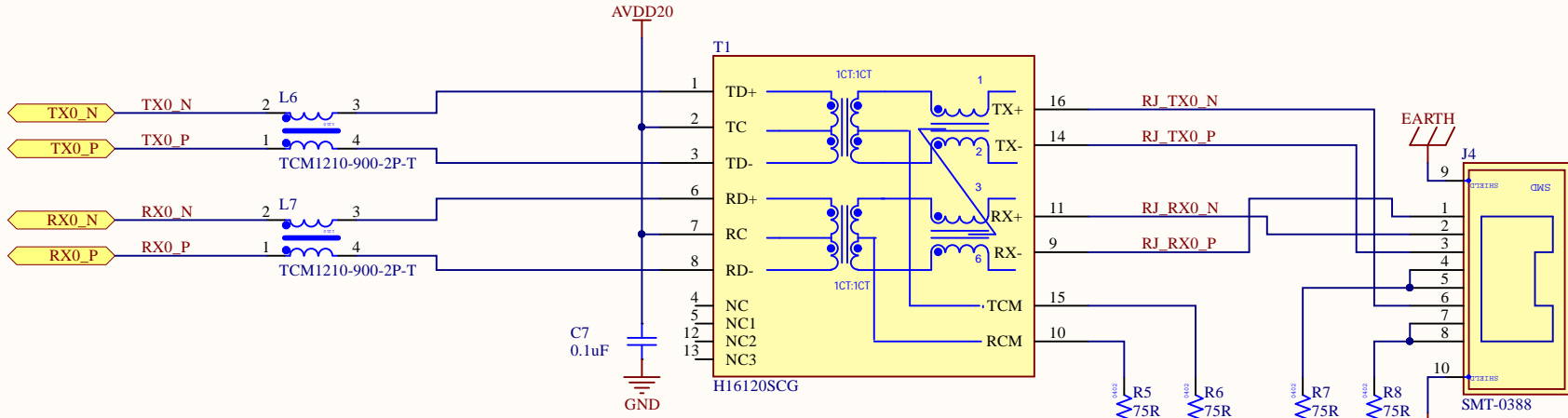
USB SLAVE (USB <-> UART)



		8 devices	
		Model No.: 8DEV_1601_0006.PrjPcb	
Title: USB		SCH Rev. v6.0	
Approved By:		Drawn By:	
Date:		2018-08-27 Sheet: 3 of 5	



	8 devices	
	Model No.: 8DEV_1601_0006.PrpPcb	
	Title: Connectors	SCH Rev. v6.0
	Approved By:	Drawn By:
	Date: 2018-08-27	Sheet: 4 of 5



8 devices	
Model No.: 8DEV_1601_0006.PrjPcb	
Title: Ethernet	SCH Rev. v6.0
Approved By:	Drawn By:
Date: 2018-08-27	Sheet: 5 of 5