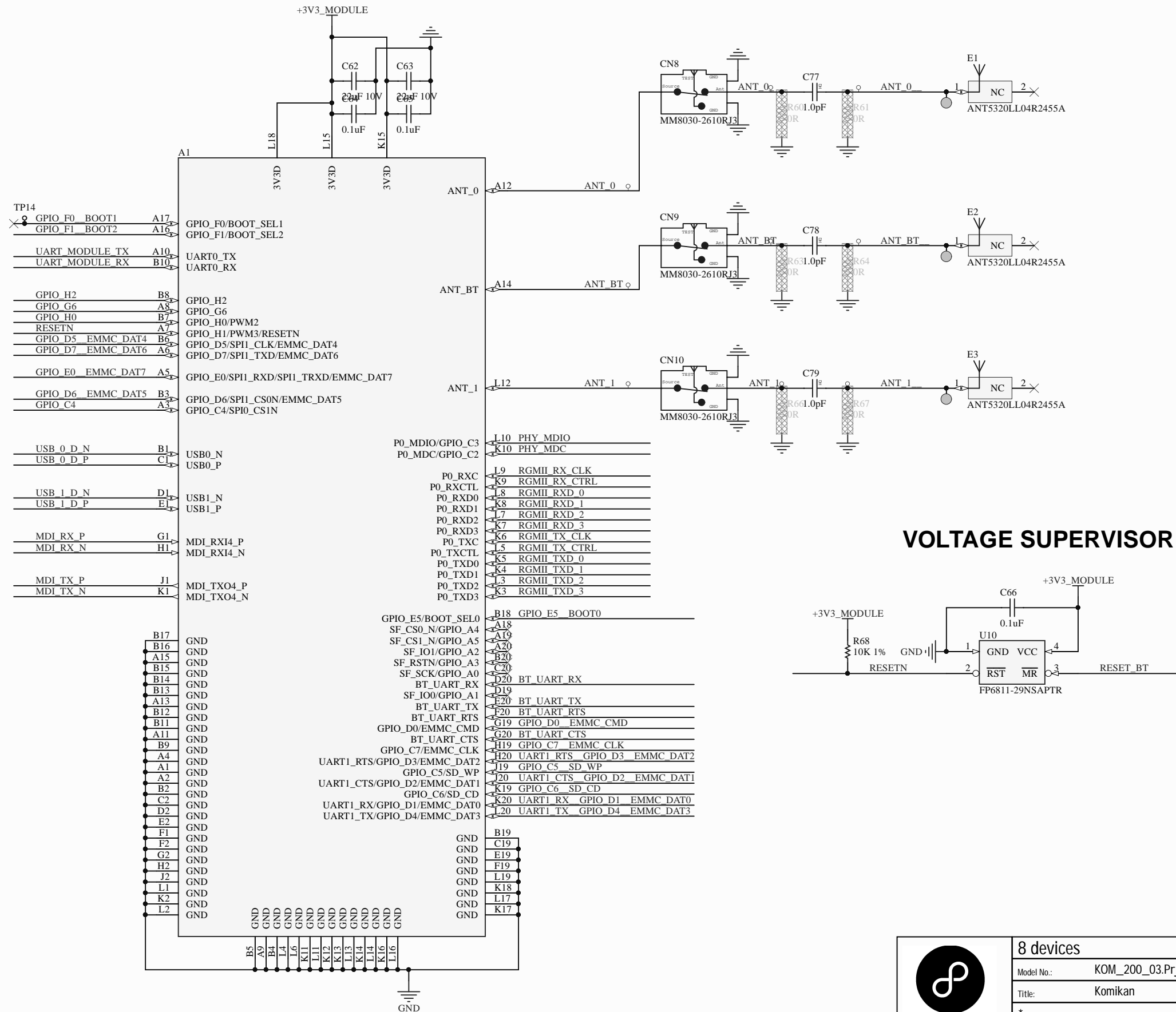
 Devices	8 devices	
	Model No.: KOM_200_03.PrjPCB	
	Title: TITLE	SCH Rev. 3
	Approved By:	Designed By:
	Date: 4/30/2019	Sheet: 1 of 9

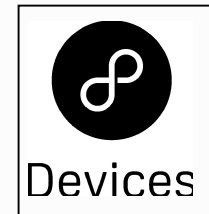
KOMIKAN MODULE

ANTENNAS

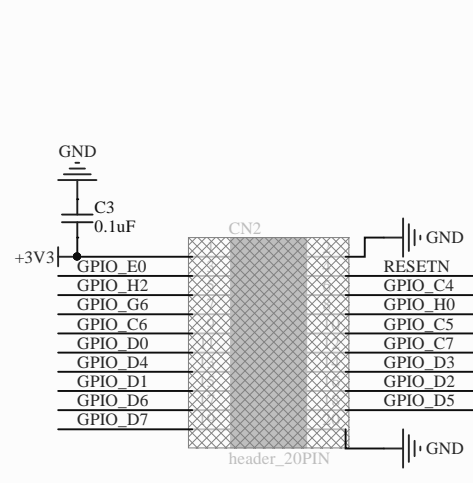


VOLTAGE SUPERVISOR

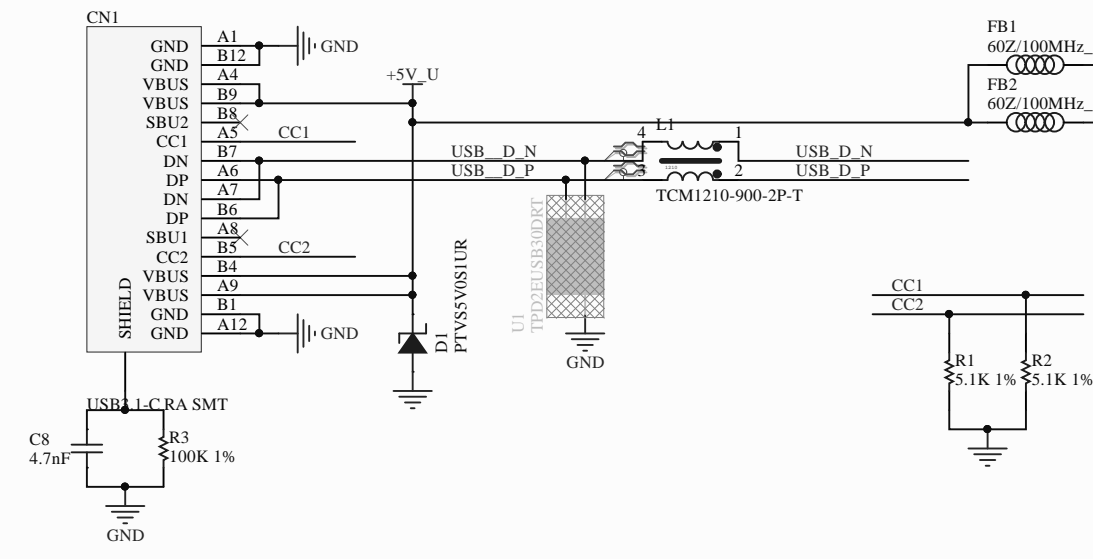
8 devices	
Model No.:	KOM_200_03.PrjPCB
Title:	Komikan
SCH Rev.	3
Approved By:	Designed By:
Date:	4/30/2019
Sheet:	2 of 9



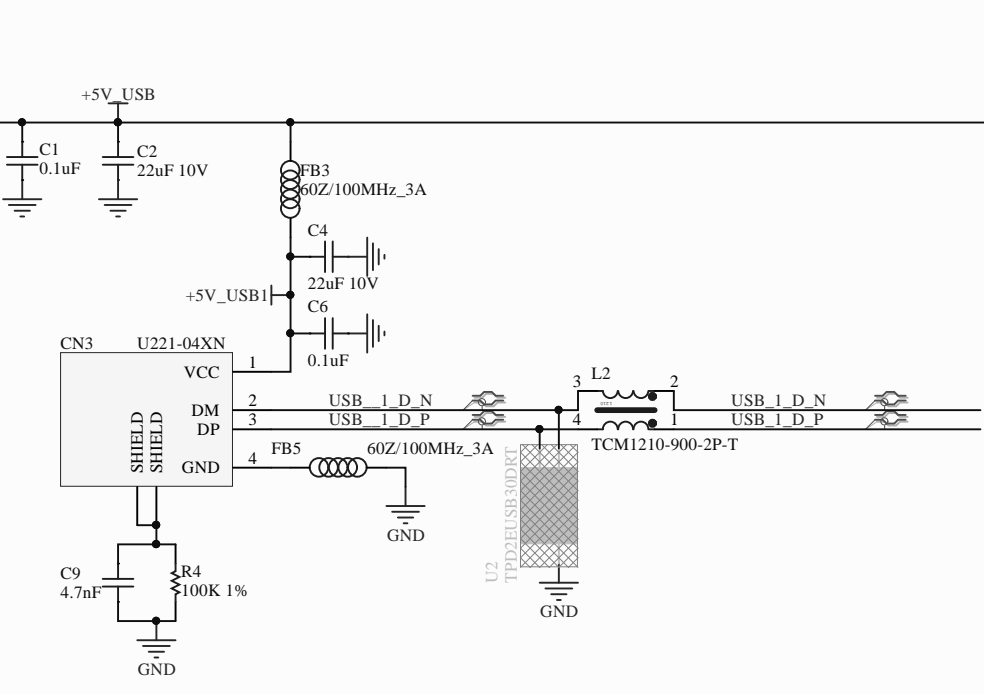
GPIO HEADER



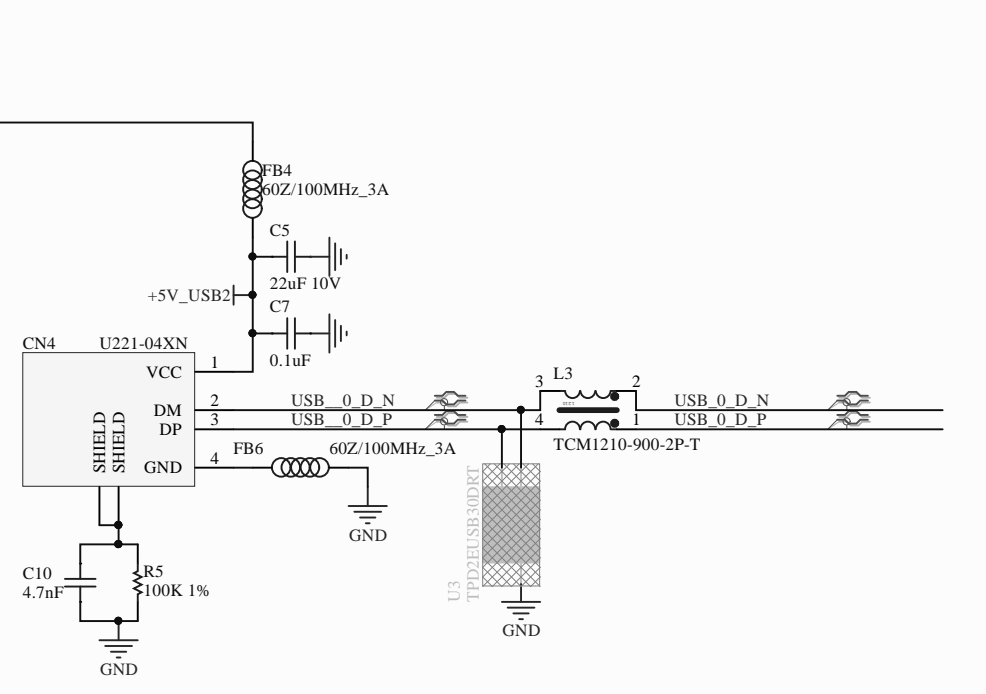
USB-C POWER AND UART



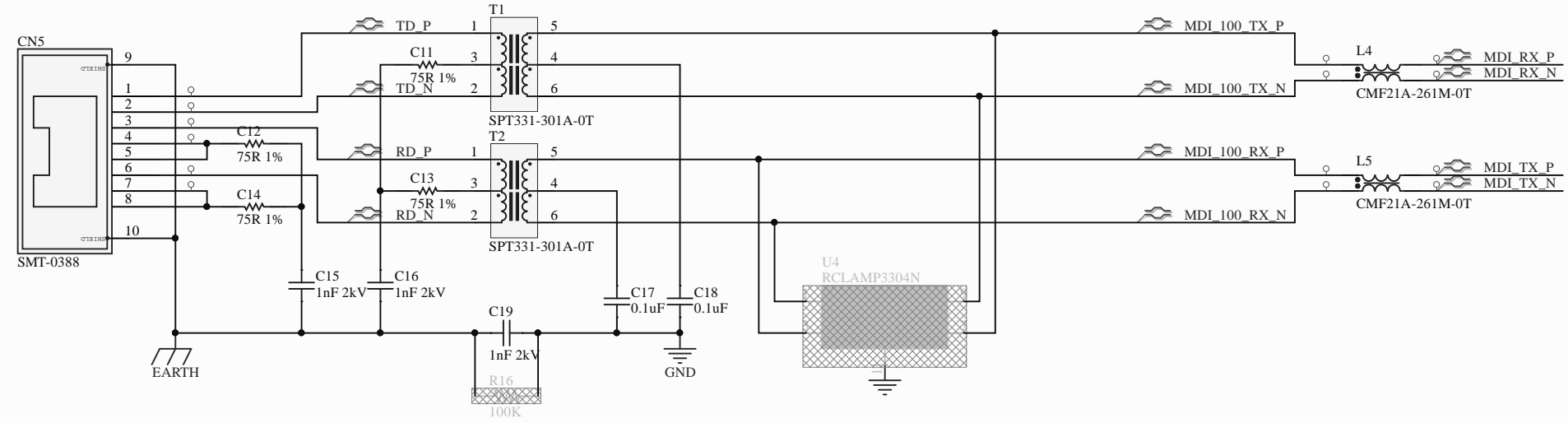
USB PORT 1



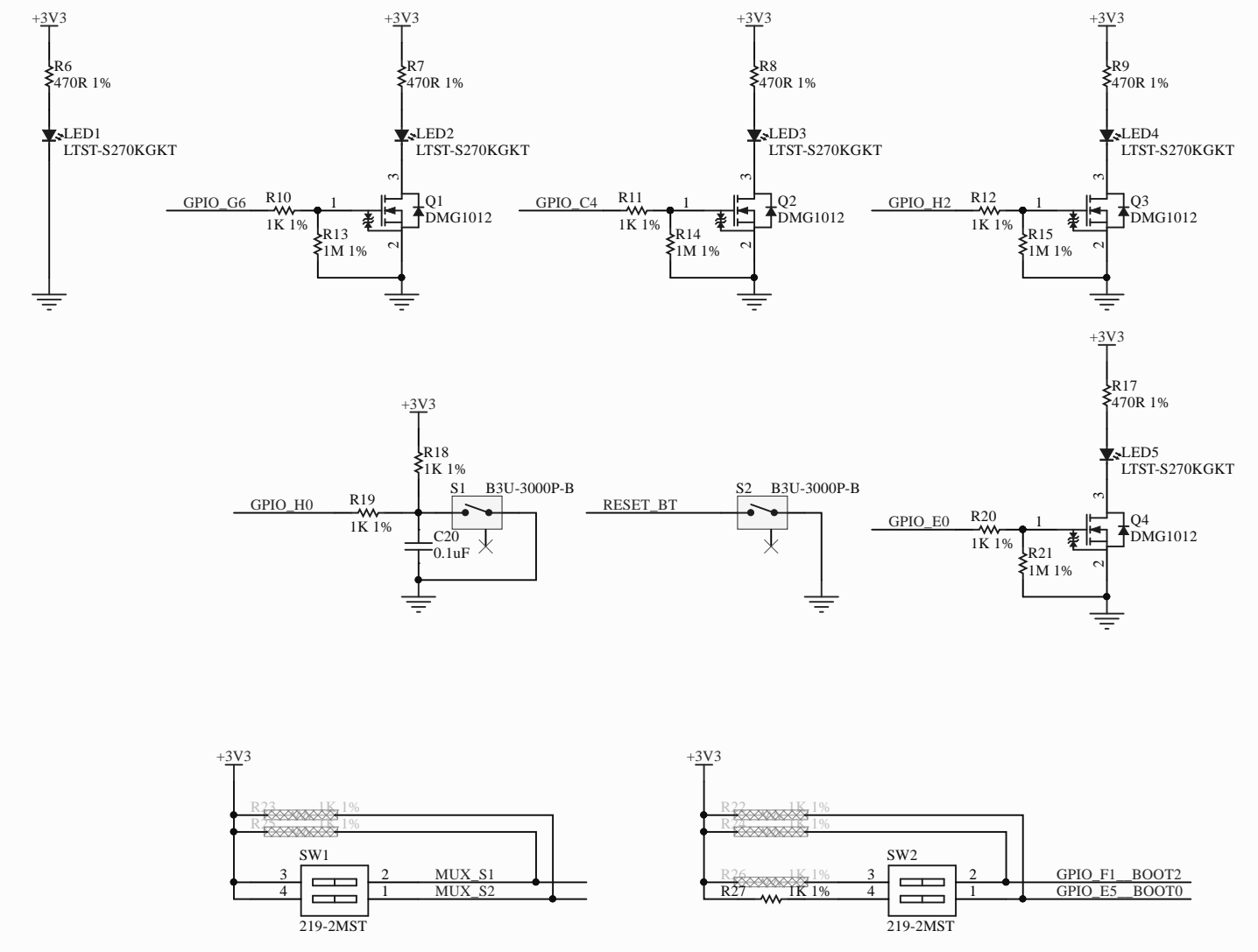
USB PORT 0



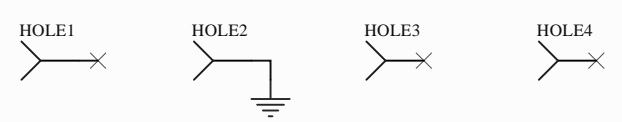
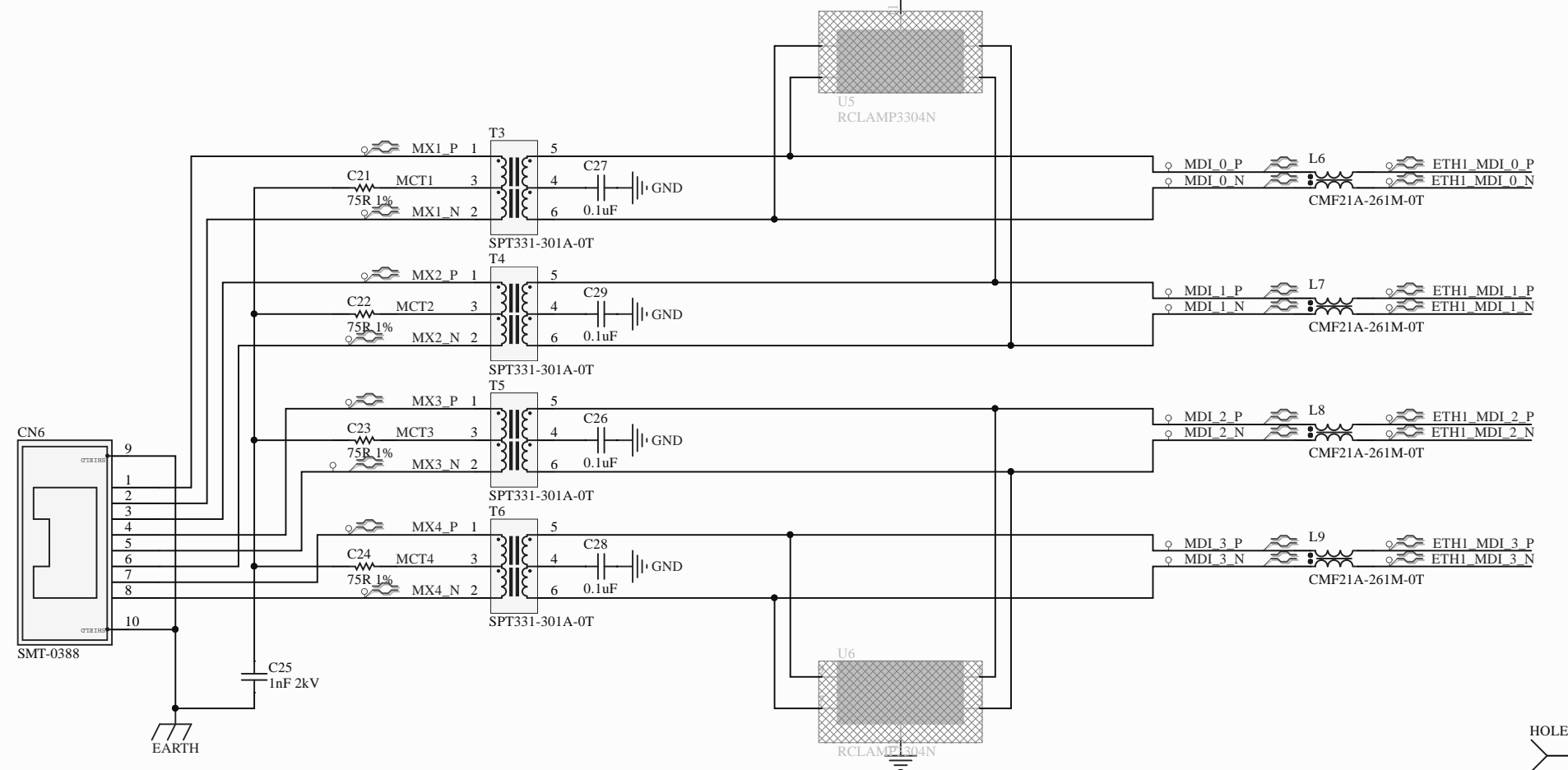
ETHERNET PORT 1



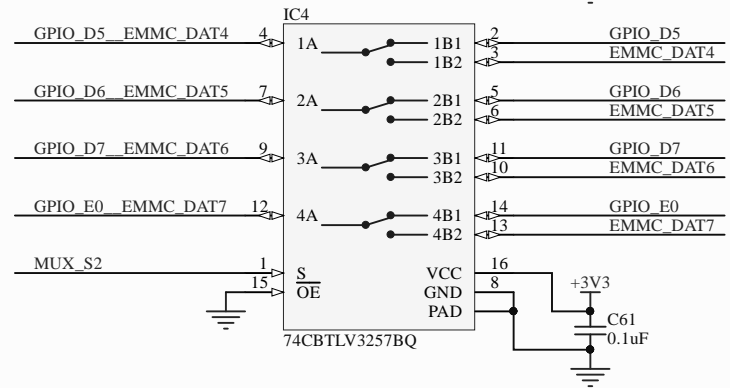
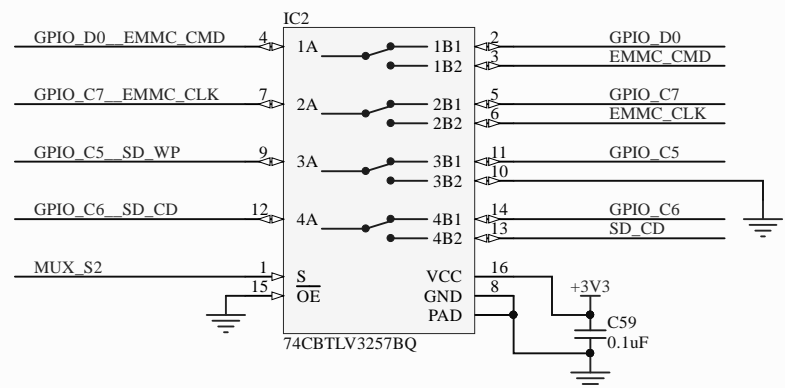
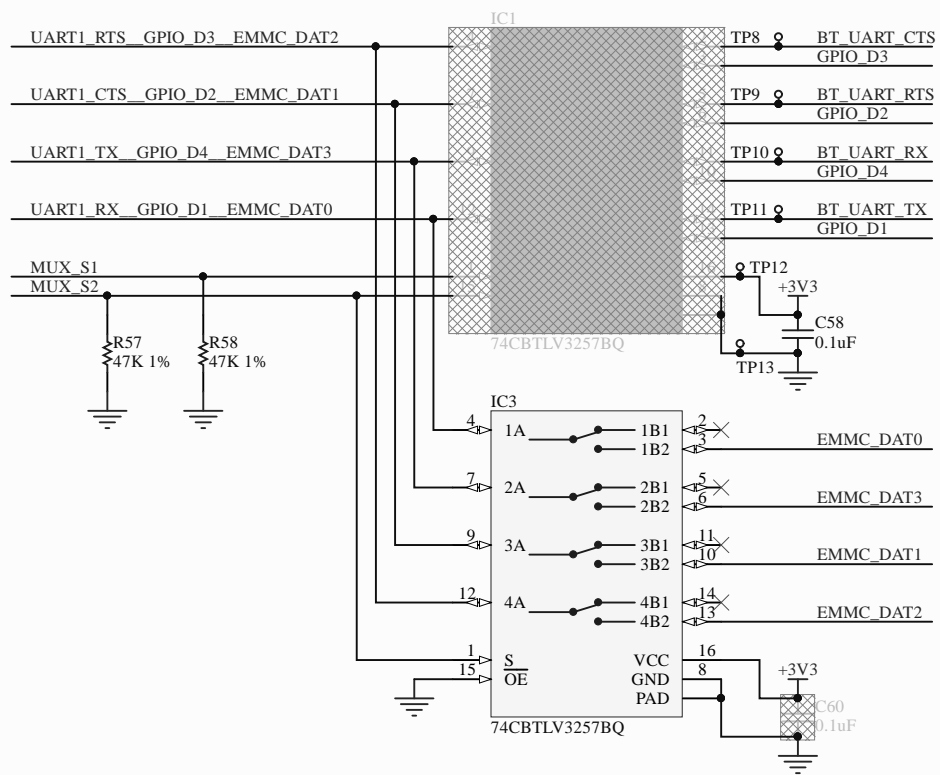
LEDS AND SWITCHES




ETHERNET PORT 0 (EXTERNAL PHY)

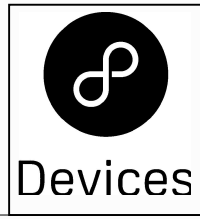
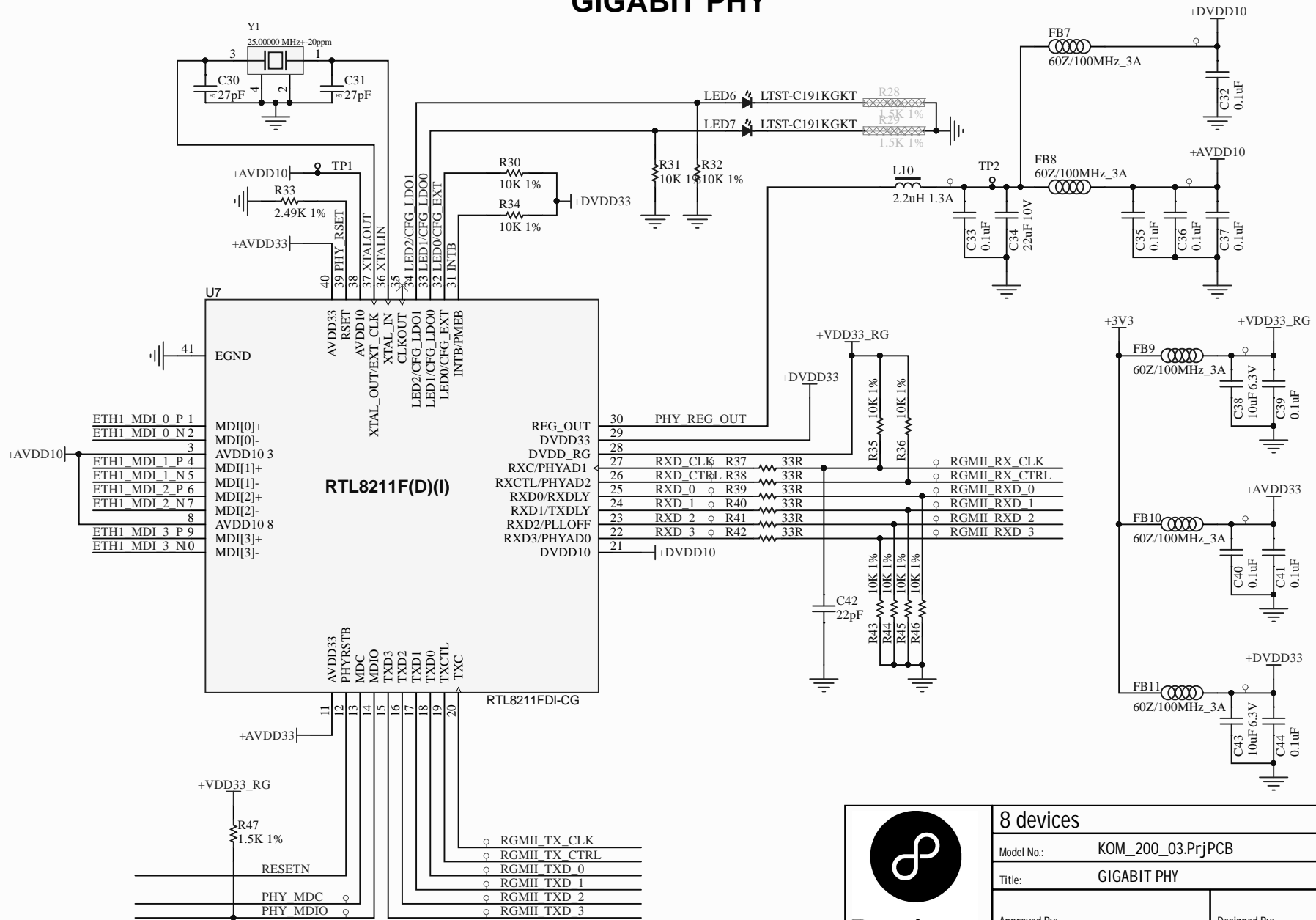


	8 devices	
	Model No.:	KOM_200_03.PrjPCB
	Title:	10
	Approved By:	SCH Rev. 3
	Date:	4/30/2019
Designed By:		
		Sheet: 3 of 9



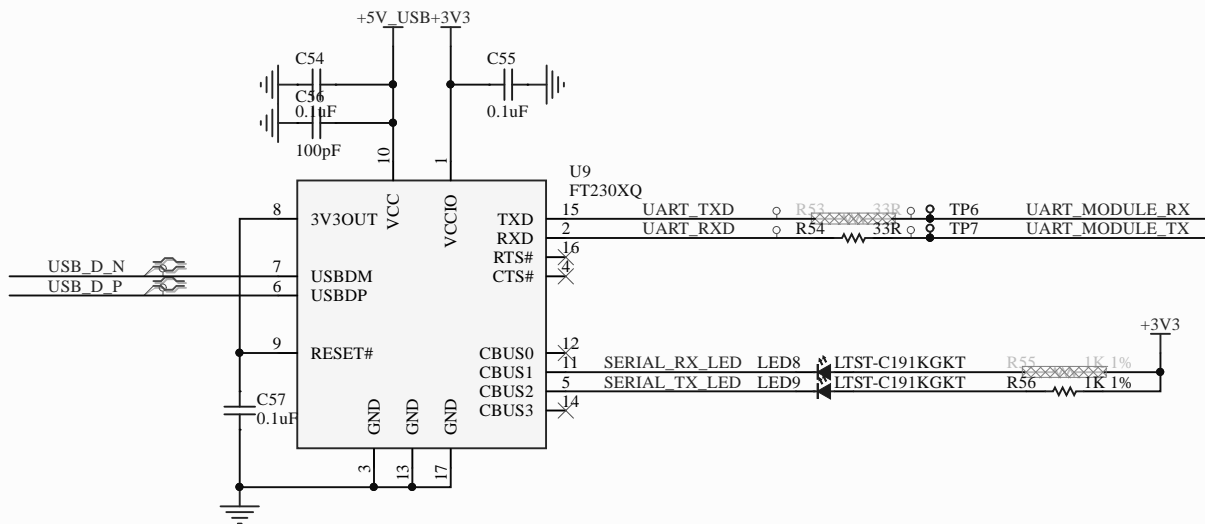
 <p>Devices</p>	8 devices	
	Model No.: KOM_200_03.PrjPCB	
	Title: MUX	SCH Rev. 3
	Approved By:	Designed By:
	Date: 4/30/2019	Sheet: 4 of 9


GIGABIT PHY



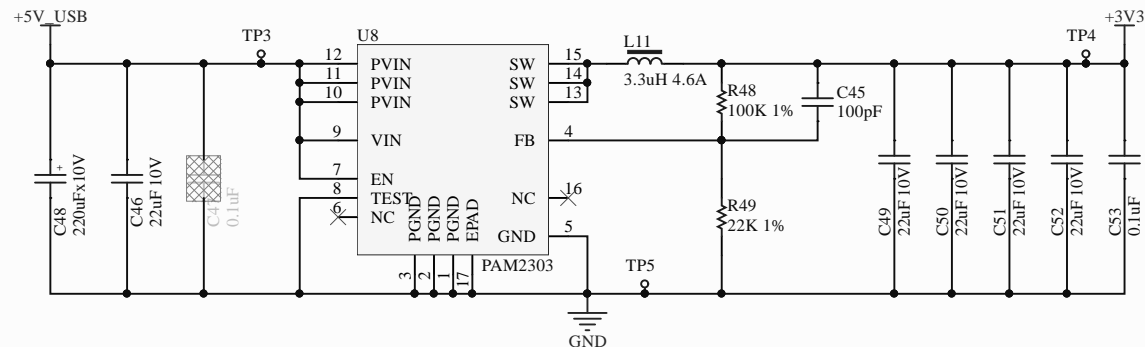
8 devices	
Model No.: KOM_200_03.PrjPCB	
Title: GIGABIT PHY	SCH Rev. 3
Approved By:	Designed By:
Date: 4/30/2019	Sheet: 5 of 9

UART BRIDGE

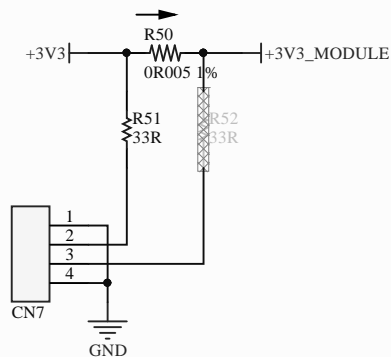



 Devices	8 devices	
	Model No.: KOM_200_03.PrjPCB	
	Title: UART BRIDGE	SCH Rev. 3
	Approved By:	Designed By:
	Date: 4/30/2019	Sheet: 6 of 9

3.3V 3A DC/DC

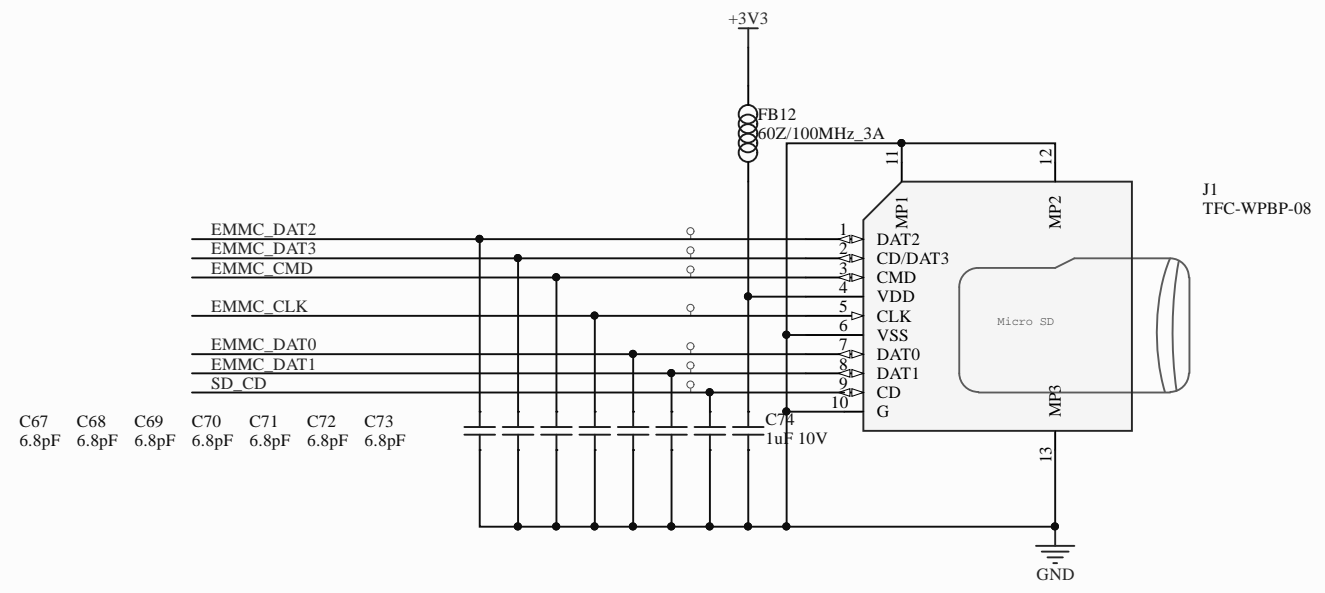



POWER MONITOR



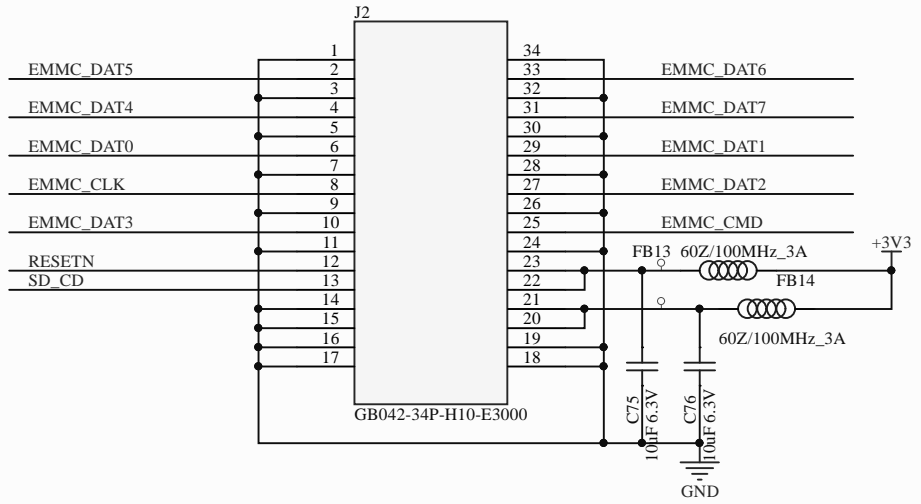
 Devices	8 devices	
	Model No.: KOM_200_03.PrjPCB	
	Title: POWER MGMT	SCH Rev. 3
	Approved By:	Designed By:
	Date: 4/30/2019	Sheet: 7 of 9


EXTERNAL SD MEMORY



 Devices	8 devices	
	Model No.: KOM_200_03.PrjPCB	
	Title: SD	SCH Rev. 3
	Approved By:	Designed By:
	Date: 4/30/2019	Sheet: 8 of 9

EXTERNAL EMMC MEMORY



 Devices	8 devices		
	Model No.: KOM_200_03.PrjPCB		
	Title: EMMC		SCH Rev. 3
	Approved By:		Designed By:
	Date: 4/30/2019	Sheet: 9 of 9	