

Kinkan

Module Motherboard

TABLE OF CONTENTS

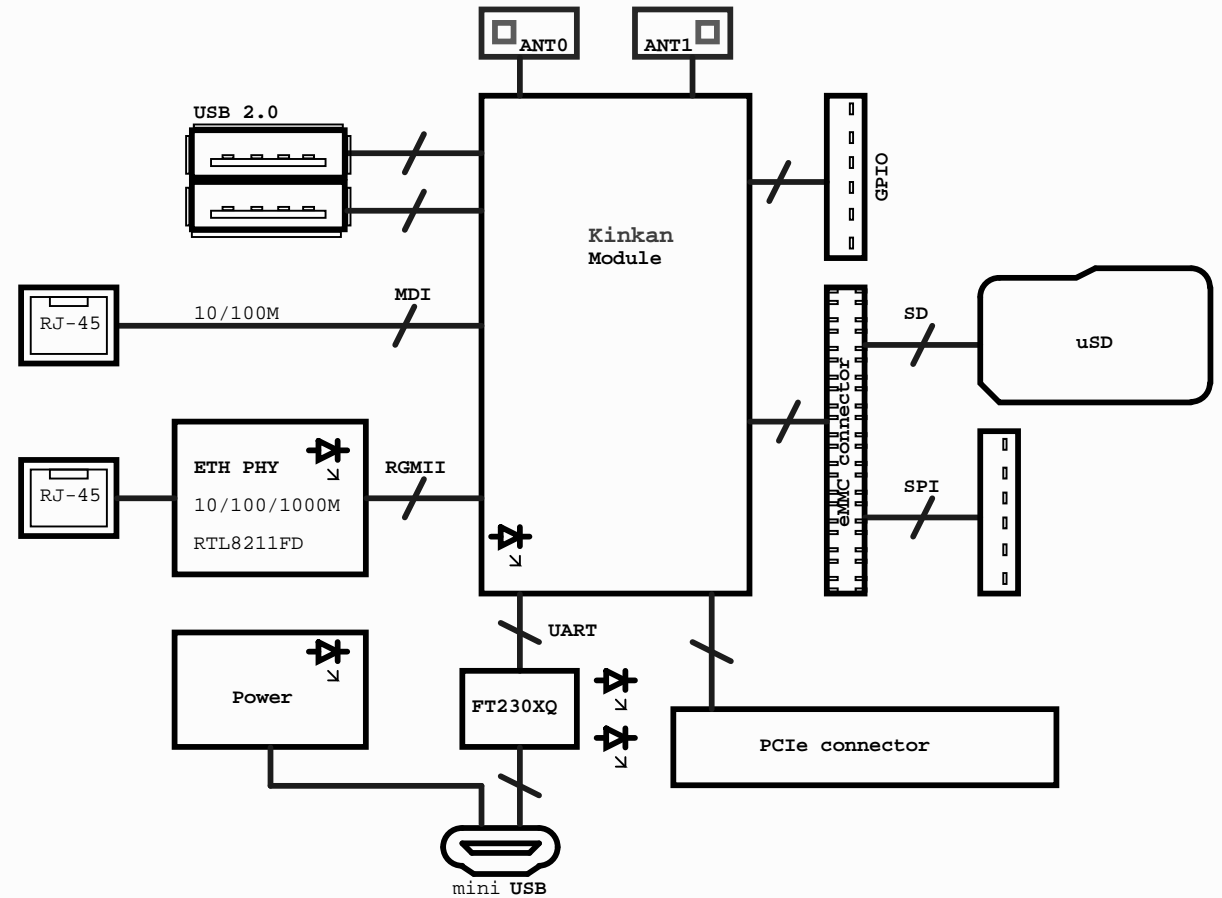
Page No	Description
01	Title Page
02	Module Power
03	GPIO / LED / Push-button
04	Ethernet Ports
05	USB and Debug
06	2.4GHz Wi-Fi
07	PCIe
08	SD / eMMC / SPI


Revision History

REV	Date	Revision Description
V1.0	2017-09-01	Shematics Released
V2.0	2018-02-21	<ol style="list-style-type: none"> 1. Removed all components from PCIe bus 2. LED and push button pins changed 3. System power indication LED added 4. ANT_1 connected to E14 pin 5. Boot select switch SW1 added 6. PHY IC replaced to RTL8211FD 7. Connector J8 replaced to GB042-34P-H10

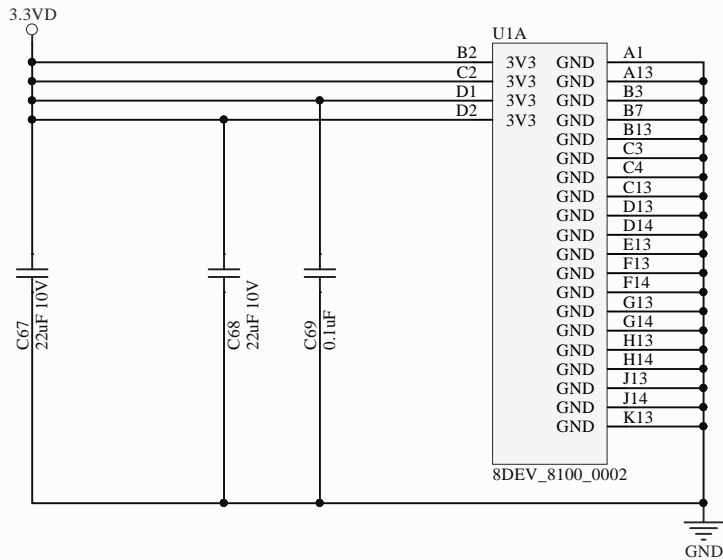
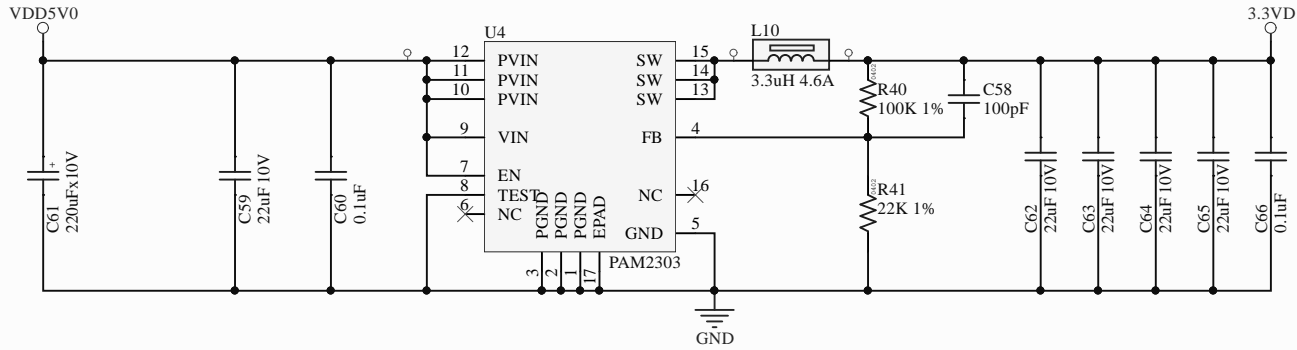
NOTE:


- (1) "NI" stands for the component that is NOT installed.
- (2) "M_" stands for the DDR net prefix.
- (3) "PHY_" stands for the Ethern PHY net prefix.
- (4) "RGMII_" stands for the RGMM interface prefix.



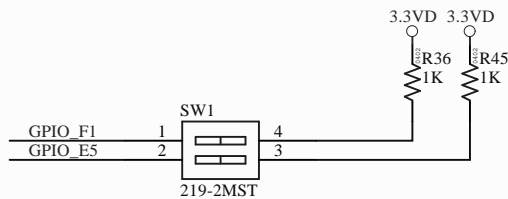
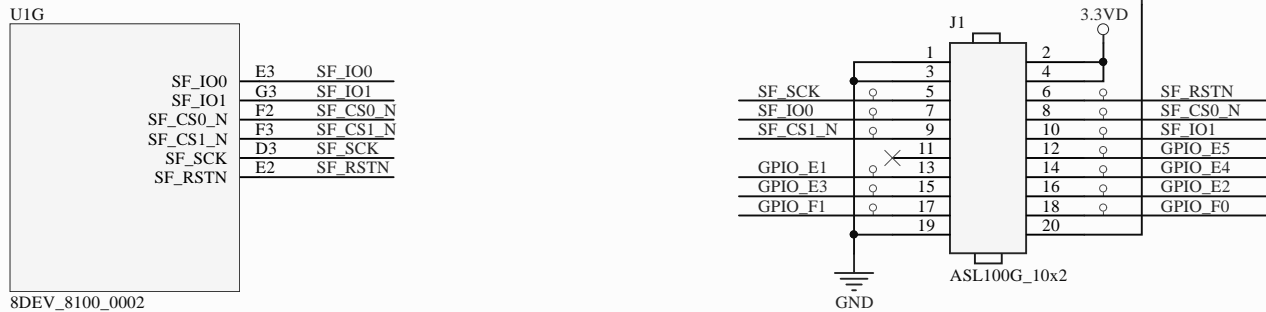
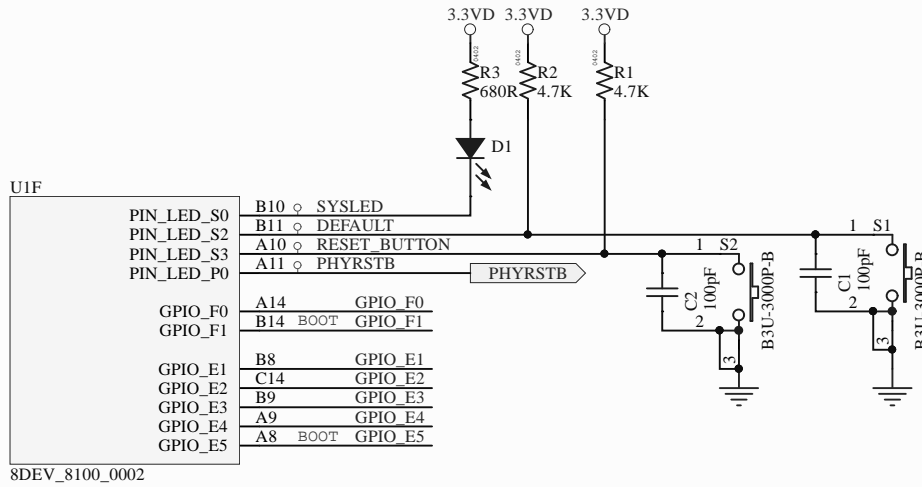
 Devices	8 devices	
	Model No.: 8DEV_8101_0002.PrjPcb	
	Title:	Title
	SCH Rev. V2.0	
	Gediminas Šimanskis	Aidas Urbanas
Approved By:	Designed By:	
Date:	2019-02-27	Sheet: 1 of 9

MODULE POWER

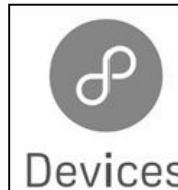


	8 devices	
	Model No.: 8DEV_8101_0002.PrpPcb	
	Title: Power	SCH Rev. v2.0
	Gediminas Šimanskis Approved By:	Aidas Urbanas Designed By:
	Date: 2019-02-27	Sheet: 2 of 9

GPIO / LED / Push-button

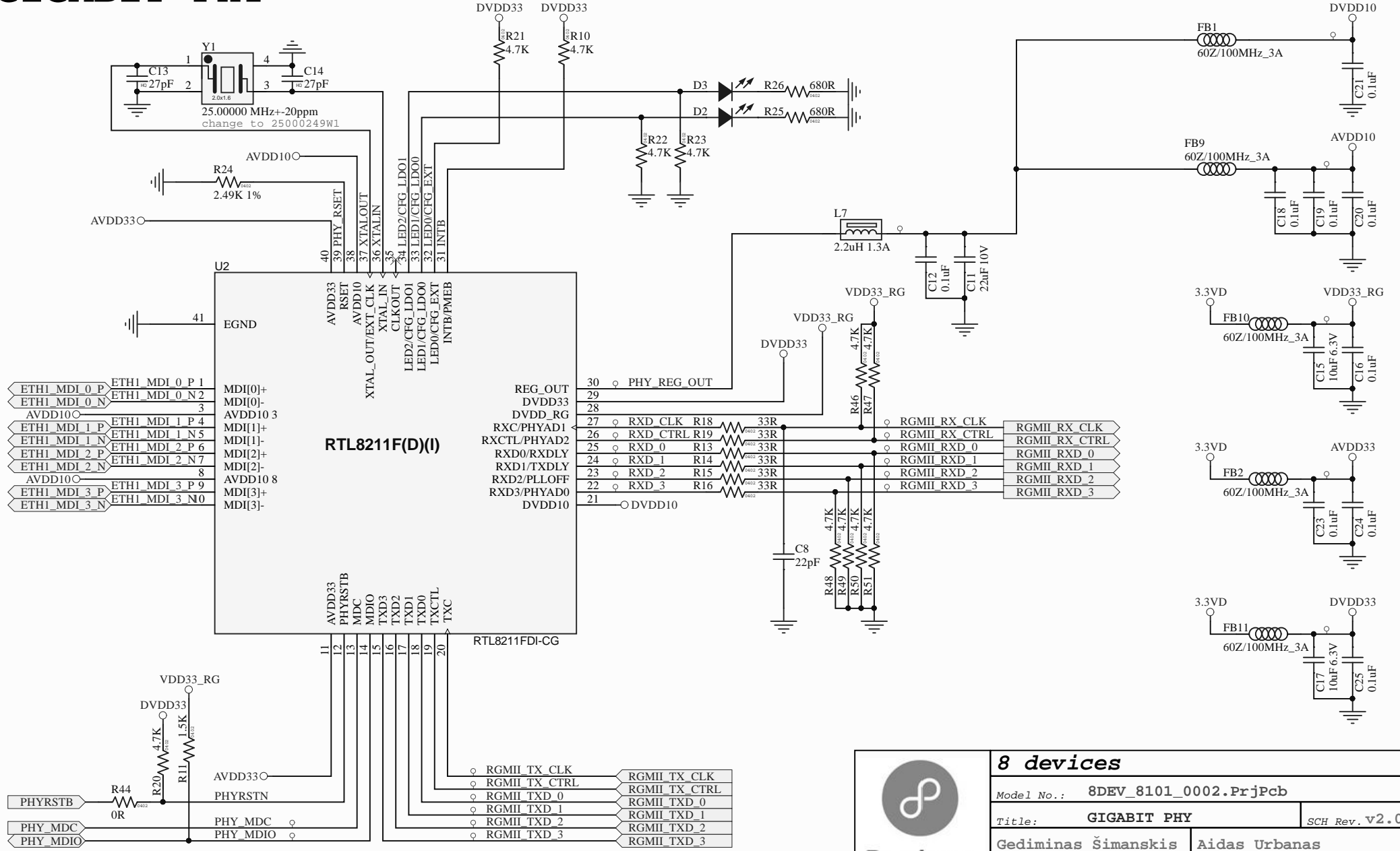



Switch both off to boot from internal flash (Default)
Switch both on to boot from SD card



8 devices	
Model No.: 8DEV_8101_0002.PrpPcb	
Title: GPIO	SCH Rev. v2.0
Gediminas Šimanskis	Aidas Urbanas
Approved By:	Designed By:
Date: 2019-02-27	Sheet: 3 of 9

GIGABIT PHY



	8 devices	
	Model No.: 8DEV_8101_0002.PrjPcb	
	Title: GIGABIT PHY	SCH Rev. v2.0
	Gediminas Šimanskis Approved By:	Aidas Urbanas Designed By:
	Date: 2019-02-27	Sheet: 4 of 9

ETHERNET PORTS

UIB

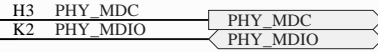
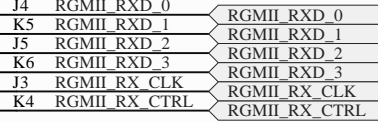
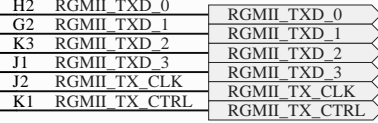
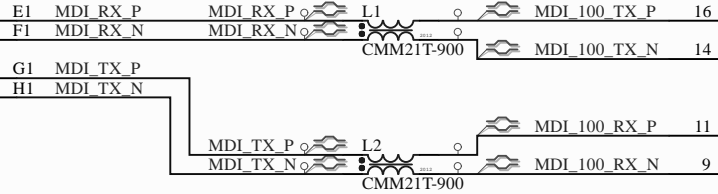
MDI_RXI4_P
MDI_RXI4_N

MDI_TXO4_P
MDI_TXO4_N

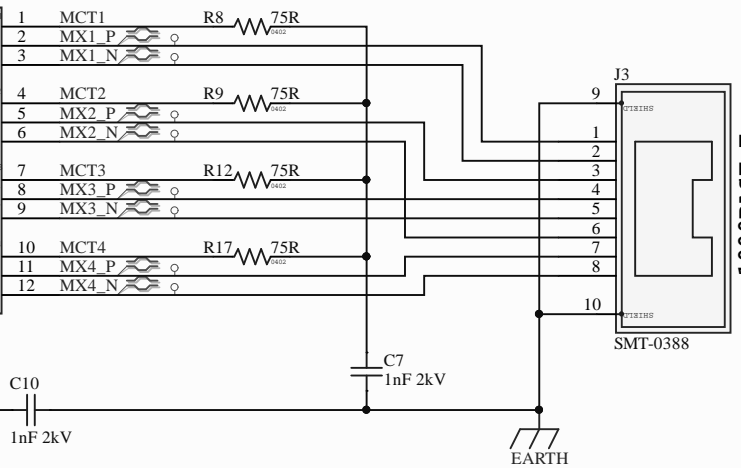
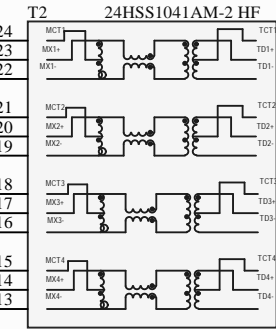
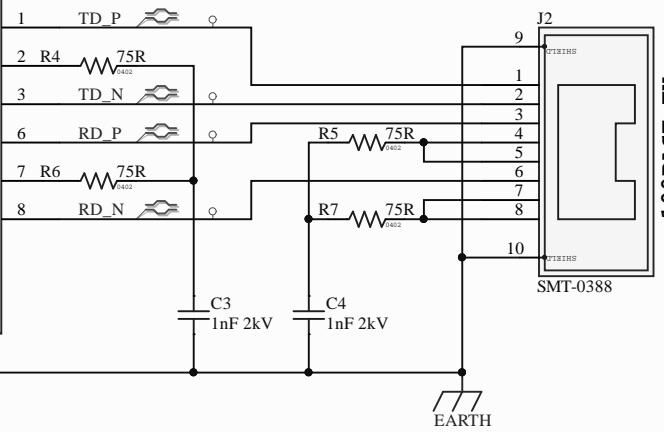
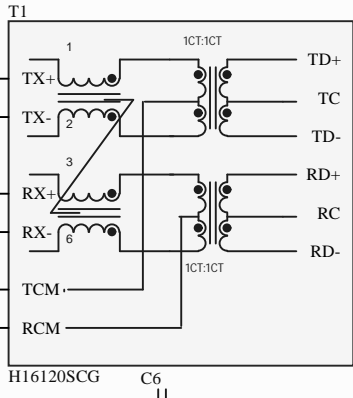
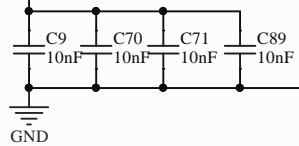
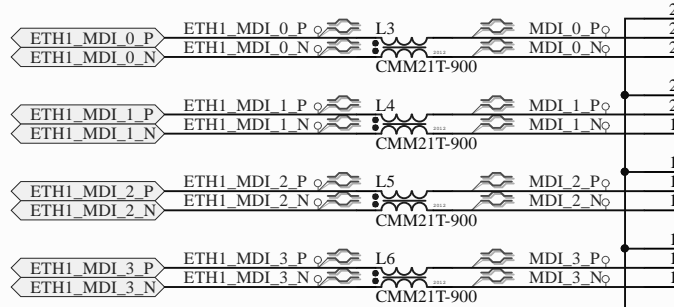
P0_TXD0
P0_TXD1
P0_TXD2
P0_TXD3
P0_TXC
P0_TXCTL


P0_RXD0
P0_RXD1
P0_RXD2
P0_RXD3
P0_RXC
P0_RXCTL

P0_MDC
P0_MDIO

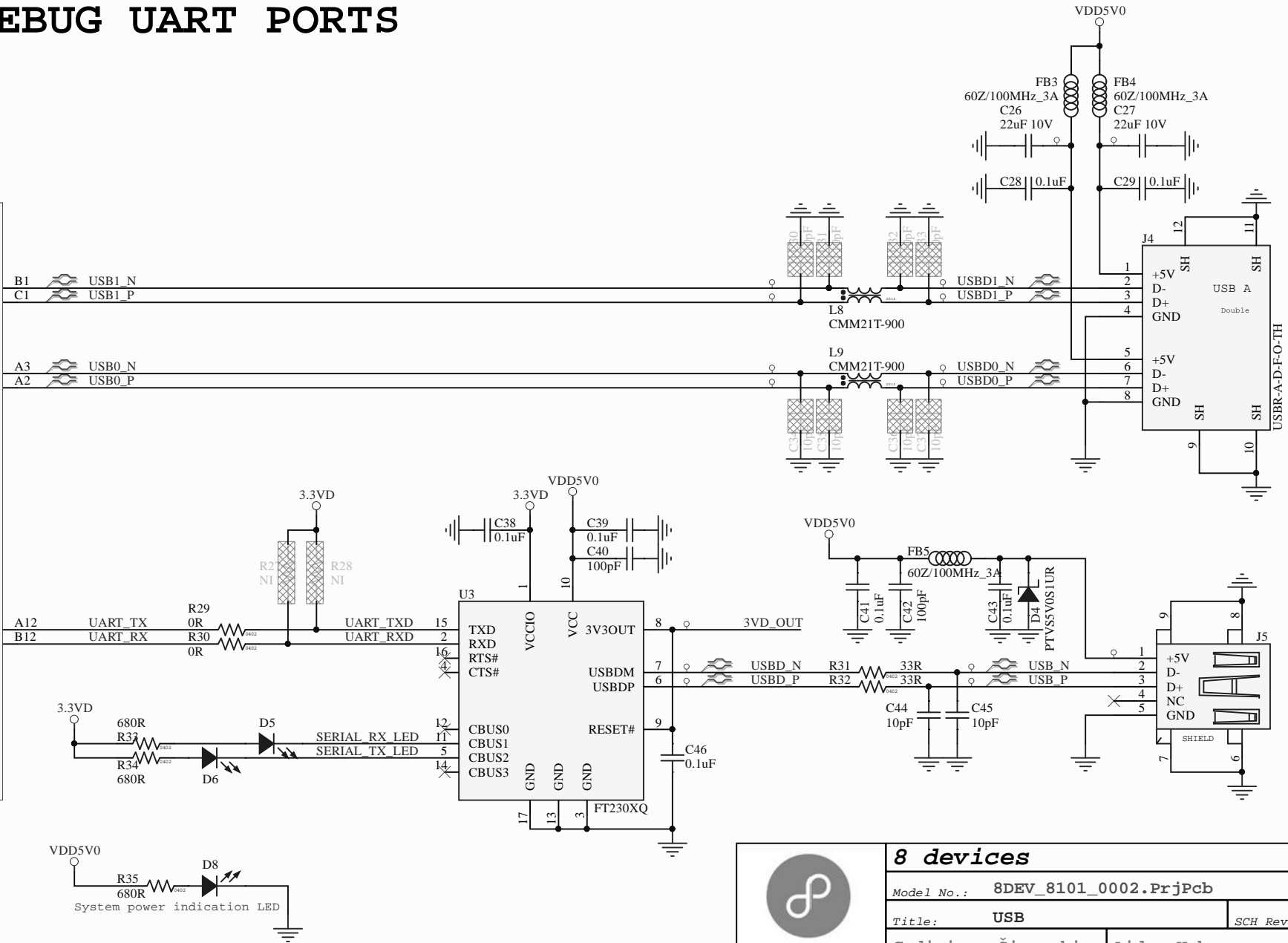
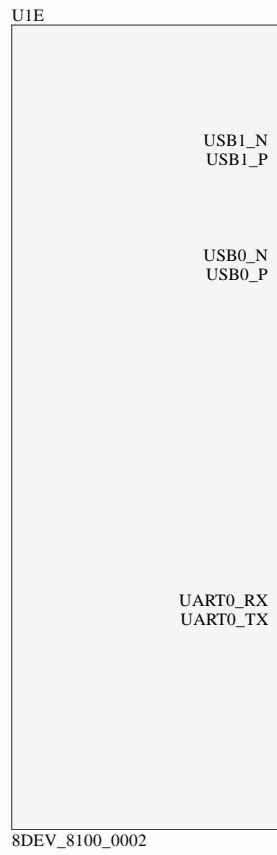



8DEV_8100_0002



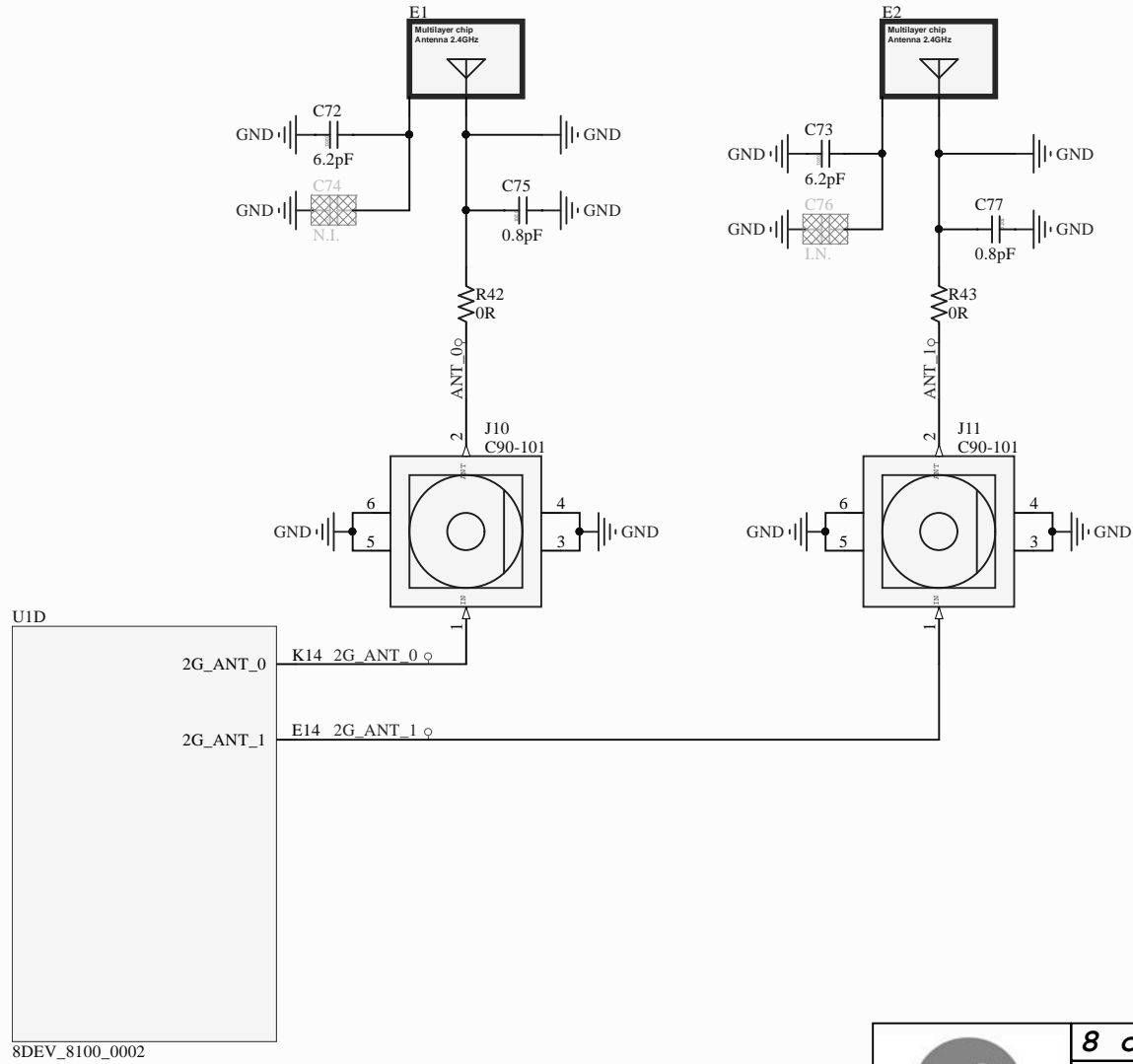
	8 devices	
	Model No.: 8DEV_8101_0002.PrjPcb	
	Title: ETH	SCH Rev. v2.0
	Gediminas Šimanskis Approved By:	Aidas Urbanas Designed By:
	Date:	2019-02-27 Sheet: 5 of 9


USB & DEBUG UART PORTS



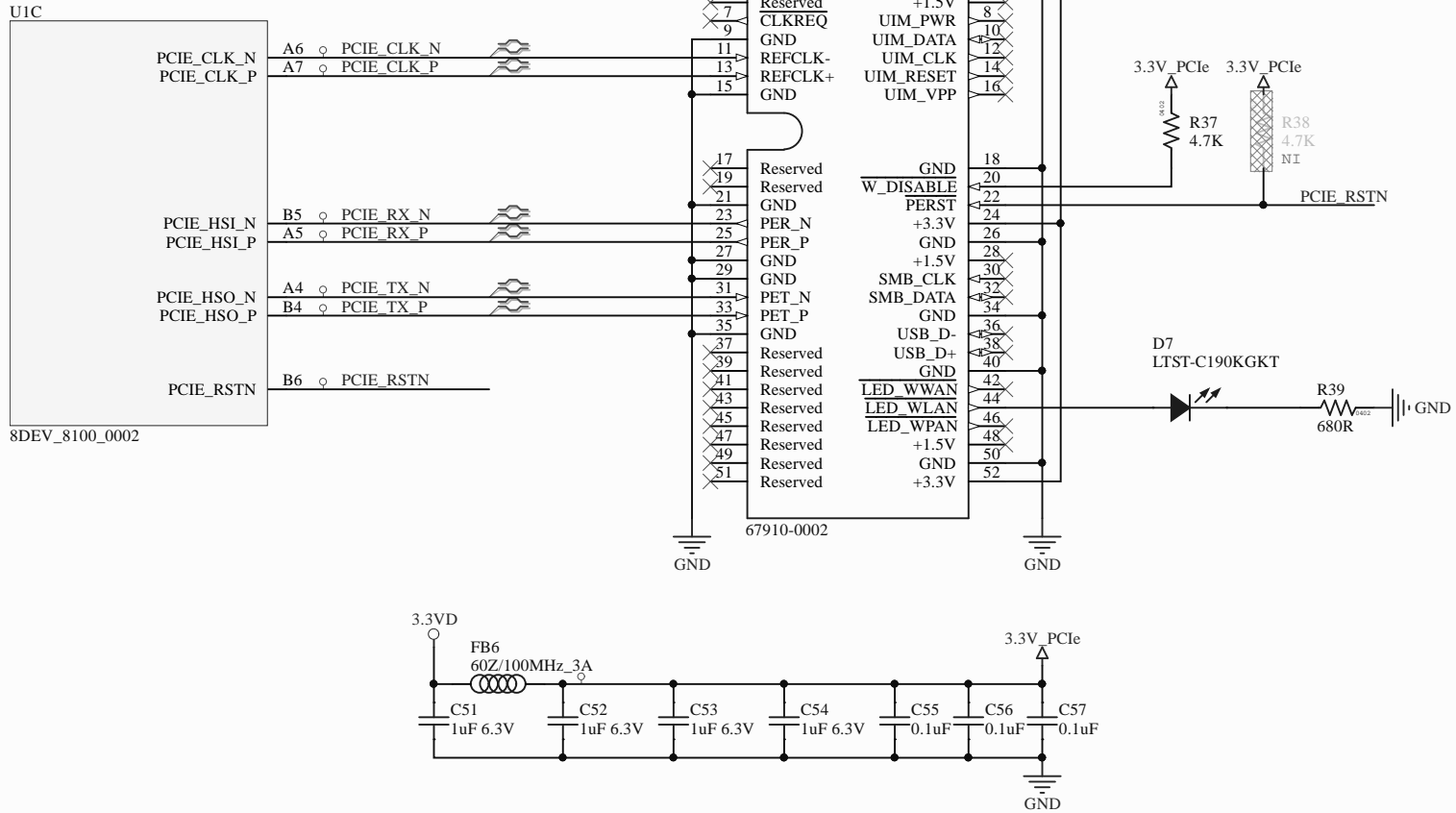
	8 devices	
	Model No.: 8DEV_8101_0002.PrjPcb	
	Title: USB	SCH Rev. v2.0
	Gediminas Šimanskis Approved By:	Aidas Urbanas Designed By:
	Date: 2019-02-27	Sheet: 6 of 9


RF



	8 devices	
	Model No.: 8DEV_8101_0002.PrjPcb	
	Title: RF	SCH Rev. v2.0
	Gediminas Šimanskis Approved By:	Aidas Urbanas Designed By:
	Date: 2019-02-27	Sheet: 7 of 9

PCIe



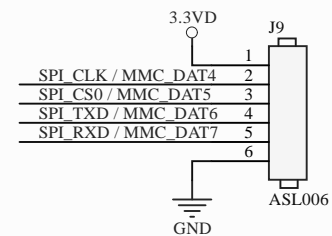
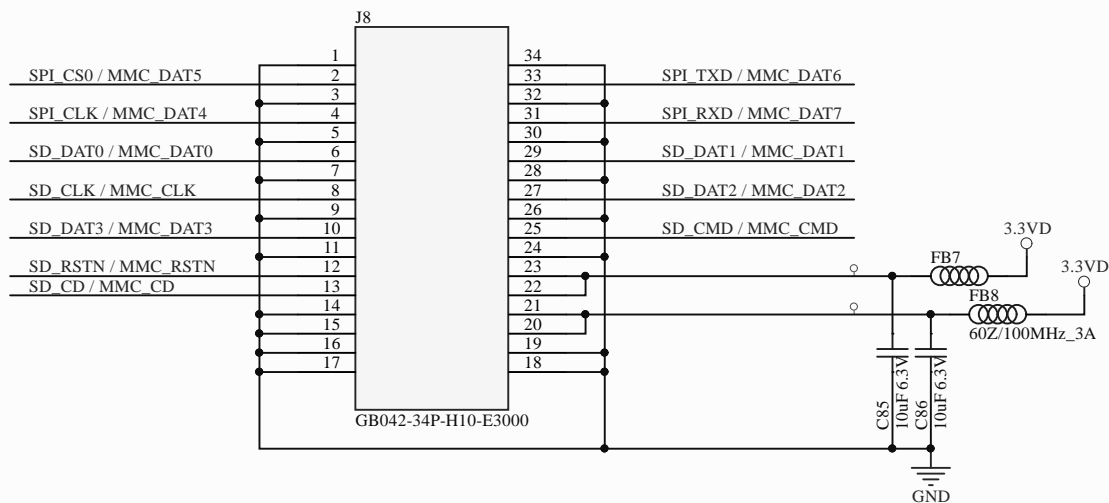
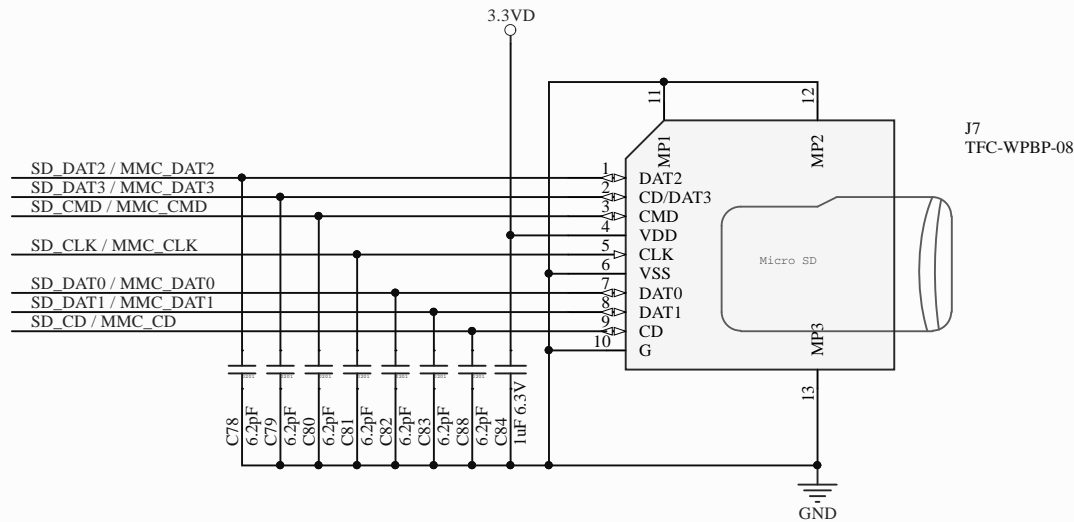
	8 devices	
	Model No.: 8DEV_8101_0002.PrpPcb	
	Title: PCIe	SCH Rev. V2.0
	Gediminas Šimanskis Approved By:	Aidas Urbanas Designed By:
	Date: 2019-02-27	Sheet: 8 of 9

SD / eMMC / SPI


U1H

SD_WP/EMMC_WP/[GPIO_C5]	J6 ◊ SD_WP/MMC_WP
SD_CD/EMMC_CD/[GPIO_C6]	J9 ◊ SD_CD/MMC_CD
SD_RSTN/EMMC_RSTN/[GPIO_C4]	K9 ◊ SD_RSTN/MMC_RSTN
SD_CLK/EMMC_CLK/[GPIO_C7]	K11◊ SD_CLK/MMC_CLK
SD_CMD/EMMC_CMD/[GPIO_D0]	J11◊ SD_CMD/MMC_CMD
SD_DAT0/EMMC_DAT0/[GPIO_D1]	J10◊ SD_DAT0/MMC_DAT0
SD_DAT1/EMMC_DAT1/[GPIO_D2]	K10◊ SD_DAT1/MMC_DAT1
SD_DAT2/EMMC_DAT2/[GPIO_D3]	J12◊ SD_DAT2/MMC_DAT2
SD_DAT3/EMMC_DAT3/[GPIO_D4]	K12◊ SD_DAT3/MMC_DAT3
SPI1_CLK/EMMC_DAT4/[GPIO_D5]	J8 ◊ SPI_CLK/MMC_DAT4
SPI1_CS0/EMMC_DAT5/[GPIO_D6]	K8 ◊ SPI_CS0/MMC_DAT5
SPI1_TXD/EMMC_DAT6/[GPIO_D7]	K7 ◊ SPI_TXD/MMC_DAT6
SPI1_RXD/EMMC_DAT7/[GPIO_E0]	J7 ◊ SPI_RXD/MMC_DAT7

8DEV_8100_0002



NOTE ! **SD_WP/MMC_WP** TP1
In order to write data to SD card pull this pin LOW, otherwise SD card is READ ONLY

	8 devices	
	Model No.: 8DEV_8101_0002.PrpPcb	
	Title: SD / eMMC / SPI	SCH Rev. v2.0
	Gediminas Šimanskis Approved By:	Aidas Urbanas Designed By:
	Date: 2019-02-27	Sheet: 9 of 9