



## BLUE bean is a high performance and ultra low power surface mount USB module combining single-stream 11ac Wave2 Wi-Fi and Bluetooth® 5.0 in a very small form factor

BLUE bean is IEEE 802.11b/g/n/a/ac Wave2 dual-band wireless LAN and Bluetooth 4.2 USB module optimised for small size and low power consumption.

It is based on Qualcomm QCA9377-7 chipset. Has an integrated dual-band (2.4 and 5 GHz) 1x1 802.11ac Wave2 WiFi (supporting MU-MIMO) and Bluetooth® 4.2 transceivers and combined in to very small form factor (17 x 12 mm with RF connector and 24 x 12mm with integrated antenna).

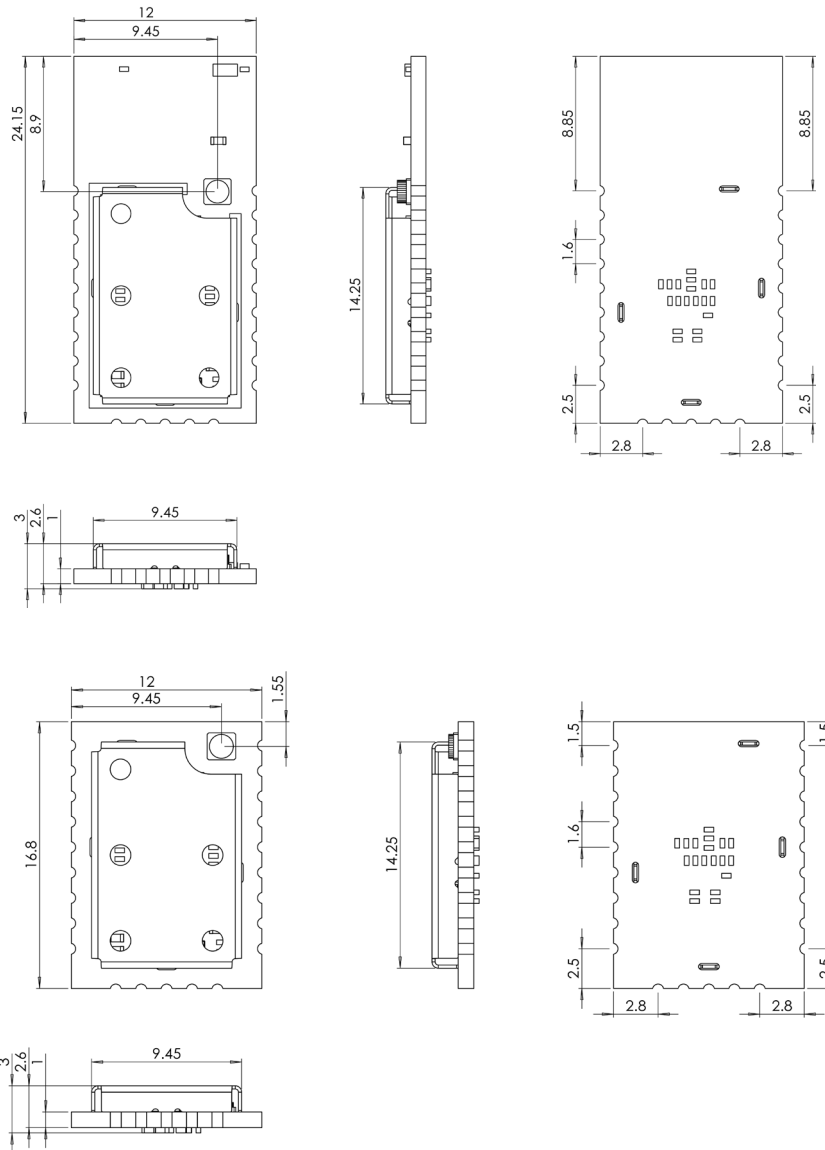
The radio module supports advanced power saving techniques. Bluetooth supports both Class1 and Class2 transmissions and advanced coexistence mechanisms allow it to work seamlessly with Wi-Fi ensuring good quality and high performance.

BLUE bean software drivers are available for Linux, Windows 10 and Android operating systems.

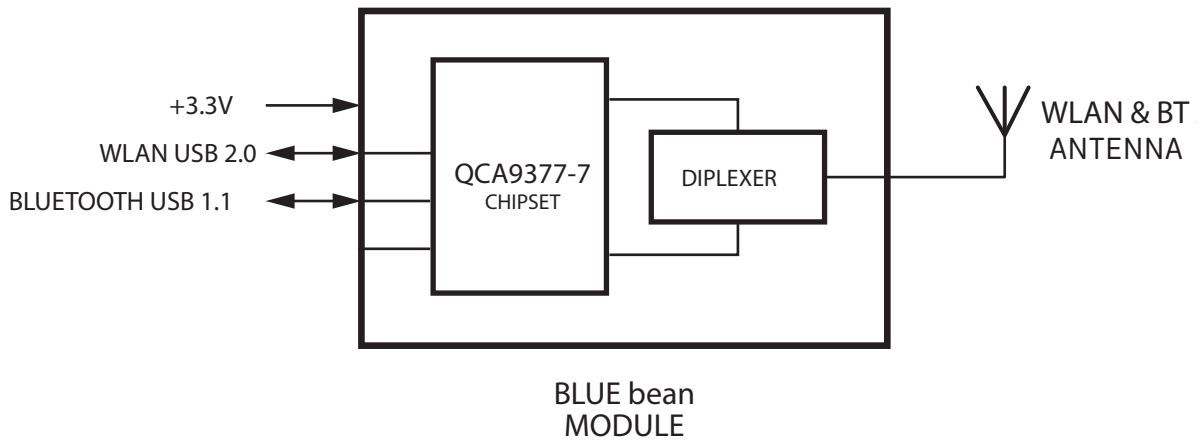
### Quick specs

- 802.11a/b/g/n/ac, 2.4 and 5 GHz, 1x1 SISO, 433 Mbps data rate, up to 20 dBm output power
- 20/40/80 MHz channel size support
- MU-MIMO
- Bluetooth v5.0 + HS backwards compatible with v1.x and v2.x
- Connectorized (Murata HSC type connector: MM4829-2702RB0) or an integrated dual-band antenna version
- Linux, Windows and Android drivers available
- Based on QCA9377-7 chipset
- Industrial temperature range -40 to +85 C°
- Very small form factor (17 by 12 mm without antenna or 24 by 12 mm with antenna)
- Surface mount, dual-side design
- Available interfaces - Bluetooth USB 1.1, WLAN USB 2.0

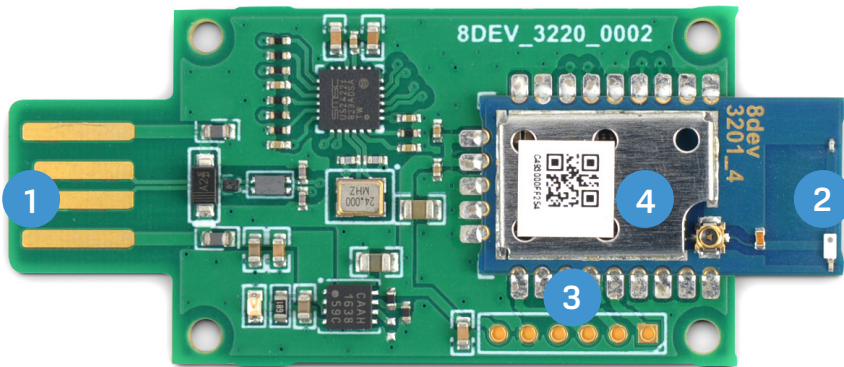
## Module dimensions (with antenna/ without antenna)



### Block diagram



### Development kit



- 1 - USB Wi-Fi and Bluetooth
- 2 - Dual-band ceramic antenna
- 3 - Turn on/off WLAN and Bluetooth
- 4 - BLUE bean A module

## Pinout Information

