



aimtec
Your Power Partner

C O D I C O®

Zwingenstrasse 6-8, A-2380 Perchtoldsdorf
Tel. Vienna +43/(0)1/86 305 - 5000
Fax Vienna +43/(0)1/86 305 - 98
e-mail: office@codico.com
www.codico.com



Catalogue Overview 17

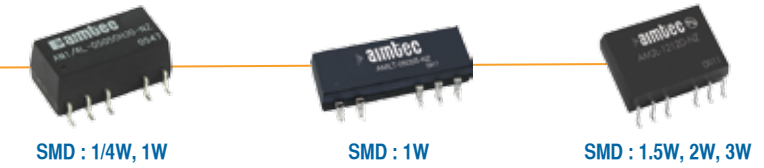
**DC/DC converters /
LED drivers**

**AC/DC converters /
LED drivers**

Aimtec offers a wide range of package types

The Aimtec brand is associated with quality, value and service. Headquartered in Canada with offices in Europe and Asia, Aimtec is actively involved in the research and development of modular switching power supplies. Aimtec's designs assist customers worldwide in reducing engineering design time and expense, while facilitating miniaturization and performance enhancement of their applications.

SMD



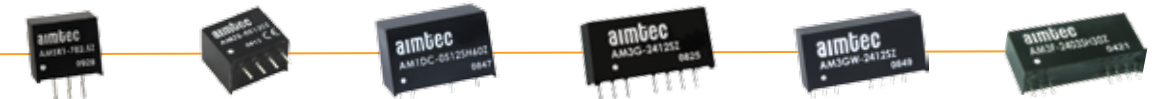
SMD : 1/4W, 1W SMD : 1W SMD : 1.5W, 2W, 3W

DIP



DIP8 : 1W DIP14 : 1W DIP14 : 1W DIP16 : 2W DIP24 : 3W, 4W, 5W, 6W, 8W, 10W, 12W, 15W

SIP



SIP3 : 5W, 7W, 12W SIP4 : 1/4W, 1W, 2W SIP7 : 1W, 2W, 3W SIP8 : 1W, 2W, 3W SIP9 : 2W, 3W SIP12 : 2W, 3W

AC/DC



Encapsulated: 5W, 10W, 15W, 20W, 30W, 40W Enclosed: 15W, 30W, 40W Open Frame: 6W, 10W, 30W, 40W

LED DRIVERS



DIP14, DIP16 AMLDL-Z, AMLDL-RZ DIP16 AMLDLW-Z Wire connections DIP24 AMLD-IZ IP68 AME(P)Rxx-(C)AZ IP67, IP20 AMEPRxxD-AZ SMD AMLDV-NZ IP67 AMEPR5-AZ

OTHER TYPES



1" x 1" : 15W, 20W 2" x 1" : 10W, 15W, 20W, 30W, 40W 2" x 1.6" : 30W Non-standard: 1.08 x 0.70 x 0.28", 2W 1.37 x 0.90 x 0.28", 3W 1.75 x 1.10 x 0.28", 6W 2" x 2" : 40W



DC/DC converters (isolated low input voltage)

POWER	PACKAGE TYPE	INPUT VOLTAGE (VDC)	OUTPUT VOLTAGE (VDC)	OUTPUT TYPE	PAGE
1/4 Watt	SMD, SIP4	3.3 ~ 24	3.3 ~ 24	Single, Dual	8
NEW 1 Watt	SMD, SIP4, SIP7, SIP8, DIP8, DIP14, DIP24	3.3 ~ 24	3.3 ~ 24	Single, Dual, Dual Separated	8
1.5 Watt	SMD	9 ~ 72	3.3 ~ 15	Single, Dual,	9
NEW 2 Watt	SMD, SIP4, SIP7, SIP8, SIP9, SIP12, DIP16, DIP24	4.5 ~ 75	3.3 ~ 24	Single, Dual, Dual Separated	9
NEW 3 Watt	SMD, SIP7, SIP8, SIP9, SIP12, DIP24	4.5 ~ 75	3.3 ~ 24	Single, Dual	10
NEW 4 Watt	DIP24	4 ~ 72	3.3 ~ 24	Single, Dual	11
5 Watt	DIP24	9 ~ 72	3.3 ~ 24	Single, Dual	11
6 Watt	DIP24	4.5 ~ 75	3.3 ~ 24	Single, Dual	11
8 Watt	DIP24	4.5 ~ 75	3.3 ~ 15	Single, Dual	12
10 Watt	2" x 1", DIP24	4.5 ~ 75	3.3 ~ 24	Single, Dual	12
12 Watt	DIP24	9 ~ 75	2.5 ~ 15	Single, Dual	12
NEW 15 Watt	1" x 1", 2" x 1", DIP24	9 ~ 75	3.3 ~ 24	Single, Dual	13
20 Watt	1" x 1", 2" x 1"	9 ~ 75	3.3 ~ 15	Single, Dual	13
30 Watt	2" x 1", 2" x 1.6"	9 ~ 75	3.3 ~ 24	Single, Dual, Triple	13
40 Watt	2" x 1", 2" x 2"	9 ~ 75	3.3 ~ 15	Single, Dual	13

AC/DC converters or DC/DC converters (isolated)

POWER	PACKAGE TYPE	INPUT VOLTAGE (VAC/Hz)	INPUT VOLTAGE (VDC)	OUTPUT VOLTAGE (VDC)	OUTPUT TYPE	PAGE
NEW 5 Watt	Encapsulated	90 ~ 305 / 47 ~ 440Hz	120 ~ 430	3.3 ~ 24	Single, Dual	18
NEW 6 Watt	Open Frame	30 ~ 280 / 47 ~ 440Hz	30 ~ 400	5 ~ 12	Single	18
NEW 10 Watt	Encapsulated, Open Frame	65 ~ 460 / 47 ~ 440Hz	90 ~ 650	3.3 ~ 24	Single, Dual, Asymmetric Dual	18
15 Watt	Encapsulated, Enclosed Connector Pack, Enclosed Screw Terminal	90~ 264 / 47 ~ 440Hz	120 ~ 370	3.3 ~ 24	Single, Dual	18
NEW 20 Watt	Encapsulated	90 ~ 305 / 47 ~ 440Hz	120 ~ 430	3.3~ 24	Single, Asymmetric Dual	18
30 Watt	Encapsulated, Enclosed Connector Pack, Enclosed Screw Terminal, Open Frame Connector Pack, Open Frame Screw Terminal	90~ 264 / 47 ~ 440Hz	120 ~ 370	3.3 ~ 24	Single, Dual	19
40 Watt	Encapsulated, Enclosed Connector Pack, Enclosed Screw Terminal, Open Frame Connector Pack, Open Frame Screw Terminal	90~ 264 / 47 ~ 440Hz	120 ~ 370	3.3 ~ 24	Single, Dual	19

LED drivers DC/DC constant current (non-isolated)

MAX POWER	OUTPUT VOLTAGE (VDC)	INPUT VOLTAGE (VDC)	OUTPUT CURRENT (mA)	PAGE
NEW 4 to 10 Watt	2 ~ 57	5 ~ 60	150 ~ 700	21
NEW 11 to 19 Watt	2 ~ 57	5 ~ 60	250 ~ 1000	21
20 to 29 Watt	2 ~ 57	5 ~ 60	350 ~ 1000	21, 22
NEW 32 to 38 Watt	2 ~ 57	5 ~ 60	600 ~ 1200	22
40 to 64 Watt	2 ~ 57	5 ~ 60	700 ~ 2000	22

Switching Regulators (non-isolated)

POWER	INPUT VOLTAGE (VDC)	OUTPUT CURRENT (mA)	OUTPUT VOLTAGE (VDC)	PAGE
NEW 0.75 to 7.5 Watt	4.75 ~ 72	500	1.5 ~ 15	15
NEW 1.5 to 12 Watt	4.75 ~ 32	1000	1.5 ~ 12	15
NEW 3.5 to 9.7 Watt	4.75 ~ 18	1500	2.5 ~ 6.5	15
NEW 5 to 13 Watt	4.75 ~ 18	2000	2.5 ~ 6.5	15

LED drivers AC/DC constant current or constant voltage mode (isolated) Input range: 90-305VAC / 47-63Hz

MAX POWER	OUTPUT CURRENT (mA)	OUTPUT VOLTAGE (VDC)	CASE	PAGE
NEW 1.4 to 5 Watt	300 ~ 1000	2 ~ 16	IP67	22
NEW 6 to 10.8 Watt	200 ~ 700	8 ~ 50	IP67 / IP20	22
NEW 11 to 18 Watt	300 ~ 1000	8 ~ 50	IP20 / IP67	23
NEW 16 to 36 Watt	350 ~ 2500	5 ~ 50	IP68 / IP67 / IP20	23
NEW 31 to 60 Watt	640 ~ 5000	5 ~ 50	IP68 / IP67	23
NEW 61 to 90 Watt	1800 ~ 3750	12 ~ 50	IP68	23, 24
NEW 91 to 125 Watt	2500 ~ 5000	12 ~ 50	IP68	24
NEW 121 to 151 Watt	2500 ~ 6300	12 ~ 50	IP68	24

Useful Tools

	PAGE
Products with Flexible Inputs	25
Product Selection Guides	26-31
Product Comparisons	32-35
Applications	36, 37
About Aimtec	1, 38, 39





The industry's largest and most complete product offering of 1 to 3 watt converters just got larger

6 new series

DC/DC Converters (isolated)

Over 3800 models overall (2700+ between 1 ~ 3 watt)

Output power: ¼ W ~ 40W (SMD from 1/4W to 3W)

Input range: 3 ~ 75VDC (±10%, 2:1, 4:1)

Input / Output isolation: 1000 ~ 6000VDC

Industrial operating temperature range: -40°C cold start up to 85°C

Industry standard pin configurations

Wide assorted packages types: SIP, DIP, SMD, 1x1", 2x1", 2x1.6", 2x2"



(isolated)



AM1/4L-Z SIP4



AM1G-Z SIP8



AM1LS-NZ SMD



AM1PS-Z DIP8



AM1N-NZ DIP24

1/4 Watt

SERIES	INPUT (VDC)	SINGLE OUTPUT (VDC)	DUAL OUTPUT (VDC)	DUAL SEPARATED OUTPUT (VDC)	ISOLATION	CASE	SAFETY
AM1/4L-NZ	3.3, 5, 12, 24	3.3, 5, 9, 12, 15, 24	±5, ±12, ±15, ±24		1K, 3K	SMD	
AM1/4S-Z	5, 12, 15, 24	3.3, 5, 7.2, 9, 12, 15, 18, 24			1K, 3K	SIP4	

1 Watt

SERIES	INPUT (VDC)	SINGLE OUTPUT (VDC)	DUAL OUTPUT (VDC)	DUAL SEPARATED OUTPUT (VDC)	ISOLATION	CASE	SAFETY
AM1DC-Z	5, 12, 24	3.3, 5, 9, 12, 15	±3.3, ±5, ±9, ±12, ±15		6K	SIP7	
AM1D-NZ	5, 12, 15, 24	5, 9, 12, 15	±5, ±9, ±12, ±15		1K, 3K, 6K	SIP7	CE, UL
AM1D-RZ	5, 12, 15, 24, 48	5, 9, 12, 15	±5, ±9, ±12, ±15		1k, 3k	SIP7	
AM1D-Z	5, 12, 24	3.3, 5, 7.2, 9, 12, 15, 18, 24	±3.3, ±5, ±7.2, ±9, ±12, ±15, ±18, ±24	3.3/3.3, 5/5, 7.2/7.2, 9/9, 12/12, 15/15, 18/18, 24/24	1K, 3K, 4K, 5.2K, 6K	SIP7	CE
AM1DR-NZ	5, 12, 24	5, 9, 12, 15			1K, 3K	SIP7	
AM1DR-RZ	5, 12, 24	3.3, 5, 7.2, 9, 12, 15			1K	SIP7	
AM1DR-Z ①	5, 12, 24	3.3, 5, 7.2, 9, 12, 15			1K, 3K	SIP7	
AM1DS-NZ	3.3, 5, 12, 15, 24	3.3, 5, 9, 12, 15, 24	±5, ±9, ±12, ±15, ±24		1k, 3k	SIP7	
AM1DS-Z	5, 12, 24	5, 12, 15	±5, ±9, ±12, ±15, ±24		1K, 3K, 4K, 5.2K, 6K	SIP7	
AM1G-Z	4.5~9, 9~18, 18~36, 36~72	3.3, 5, 7.2, 9, 12, 15, 18, 24	±3.3, ±5, ±7.2, ±9, ±12, ±15, ±18, ±24		1K, 3K	SIP8	
AM1L-FZ	3.3, 5, 12, 24	3.3, 5, 9, 12, 15	±5, ±9, ±12, ±15		1K, 3K	SMD	
AM1LH-FZ	5, 12, 24	3.3, 5, 9, 12, 15	±5, ±9, ±12, ±15		1K, 3K	SMD	
AM1L-NZ	3.3, 5, 12, 24	3.3, 5, 9, 12, 15, 24	±5, ±9, ±12, ±15	5/5, 9/9, 12/12, 15/15	1K, 3K	SMD	CE, UL
AM1LS-NZ	5, 12	5, 12, 15			1K	SMD	
AM1LT-NZ	5, 12	5, 9, 12, 15			1.5K	SMD	
AM1M-NZ	5, 12	5, 9, 12, 15			1.5K	DIP14	
AM1MR-Z	5, 12, 24	3.3, 5, 7.2, 9, 12, 15			1K	DIP14	
AM1N-NZ	5, 12	5, 9, 12, 15	±5, ±9, ±12, ±15		6K	DIP24	UL
AM1P-NZ	5, 12, 24	5, 9, 12, 15		5/5	1K	DIP8	CE, UL
AM1P-Z	5, 12, 24	3.3, 5, 7.2, 9, 12, 15, 18, 24	±3.3, ±5, ±7.2, ±9, ±12, ±15, ±18, ±24	3.3/3.3, 5/5, 7.2/7.2, 9/9, 12/12, 15/15, 18/18, 24/24	1K, 3K	DIP8	
AM1S-NZ	5, 12, 24	5, 9, 12, 15			1K, 3K	SIP4	CE, UL
AM1S-Z	5, 12, 24	3.3, 5, 7.2, 9, 12, 15, 18, 24			1K, 3K	SIP4	CE
AM1PS-Z	5, 12, 24	5, 12, 15	±5, ±12, ±15		1K, 3K	DIP8	
AM1SS-Z	5, 12, 24	5, 12, 15			1K, 3K	SIP4	

Note: Nominal input voltages are ±10%, unless otherwise specified

①: Nominal input voltages are ±5%

Detailed product information is available in the datasheets at www.aimtec.com



1.5 Watt

SERIES	INPUT (VDC)	SINGLE OUTPUT (VDC)	DUAL OUTPUT (VDC)	DUAL SEPARATED OUTPUT (VDC)	ISOLATION	CASE	SAFETY
AM2LW-NZ	9~36, 18~72	3.3, 5, 9, 12, 15	±5, ±12, ±15		1.5K	SMD	

2 Watt

SERIES	INPUT (VDC)	SINGLE OUTPUT (VDC)	DUAL OUTPUT (VDC)	DUAL SEPARATED OUTPUT (VDC)	ISOLATION	CASE	SAFETY
AM2B-NZ	5, 12, 24	5, 12, 15			6K	DIP16	CE
AM2D-NZ	5, 12, 24	5, 9, 12, 15	±5, ±9, ±12, ±15		1K, 3K	SIP7	CE, UL
AM2D-Z	5, 12, 24	3.3, 5, 7.2, 9, 12, 15, 18, 24	±3.3, ±5, ±7.2, ±9, ±12, ±15, ±18, ±24	3.3/3.3, 5/5, 7.2/7.2, 9/9, 12/12, 15/15, 18/18, 24/24	1K, 3K, 4K, 5.2K	SIP7	CE
AM2D-RZ	5, 12, 15, 24	5, 9, 12, 15	±5, ±9, ±12, ±15		1K, 3K	SIP7	CE
AM2F-Z	5, 12, 24	3.3, 5, 7.2, 9, 12, 15, 18, 24			1K, 3K, 5.2K	SIP12	
AM2G-Z	4.5~9, 9~18, 18~36, 36~72	3.3, 5, 7.2, 9, 12, 15, 18, 24	±3.3, ±5, ±7.2, ±9, ±12, ±15, ±18, ±24		1K, 3K	SIP8	CE
AM2GH-Z	4.5~18, 9~36, 18~75	3.3, 5, 12, 15	±5, ±12, ±15		1.6K	SIP8	CE
AM2GW-NZ	9~36, 18~72	3.3, 5, 9, 12, 15	±5, ±9, ±12, ±15		1.5K	SIP9	
AM2GW-Z	9~36, 18~75	3.3, 5, 12, 15	±5, ±12, ±15		1.5K	SIP9	CE
AM2L-NZ	5, 12, 24	5, 9, 12, 15	±5, ±9, ±12, ±15	5/5, 9/9, 12/12, 15/15	1K, 6K	SMD	CE
AM2LP-NZ	5, 12, 24	5, 12, 15, 24			1K	SMD	
AM2LV-NZ	9~18, 18~36	3.3, 5, 9, 12, 15	±5, ±9, ±12, ±15		1.5K	SMD	
AM2N-NZ	5, 12	5, 9, 12, 15	±5, ±9, ±12, ±15		6K	DIP24	UL
AM2Q-Z	4.5~9, 9~18, 18~36, 36~75	5, 12, 15	±12, ±15		500VAC	non-standard	
AM2S-Z	5, 12, 24	3.3, 5, 7.2, 9, 12, 15, 18, 24			1K, 3K	SIP4	CE

Note: Nominal input voltages are ±10%, unless otherwise specified.

Detailed product information is available in the datasheets at www.aimtec.com



AM2B-NZ DIP16



AM2D-RZ SIP7



AM2LV-NZ SMD



AM2N-NZ DIP24

AM2Q-Z
Non standard



3 Watt

SERIES	INPUT (VDC)	SINGLE OUTPUT (VDC)	DUAL OUTPUT (VDC)	ISOLATION	CASE	SAFETY
AM3D-Z	5, 12	5, 9, 12, 15	±5, ±9, ±12, ±15	1K, 3K	SIP7	CE
AM3F-Z	5, 12, 24	3.3, 5, 7.2, 9, 12, 15, 18, 24		1K, 3K, 5.2K	SIP12	
AM3G-NZ	9~18, 18~36	5, 9, 12, 15	±5, ±9, ±12, ±15	1.5K	SIP8	
AM3GH-Z	4.5~18, 9~36, 18~75	3.3, 5, 12, 15	±5, ±12, ±15	1.6k	SIP8	CE
AM3GW-Z	9~36, 18~75	3.3, 5, 12, 15	±5, ±12, ±15	1.5K	SIP9	CE
AM3G-Z	4.5~9, 9~18, 18~36, 36~72	3.3, 5, 12, 15	±5, ±12, ±15	1.6K, 3K	SIP8	CE
AM3LV-NZ	9~18, 18~36, 36~72	5, 12, 15	±5, ±12, ±15	1.5K	SMD	
AM3N-D-RZ	5, 12, 24		±3.3, ±5, ±7.2, ±9, ±12, ±15, ±18, ±24	1k, 3K, 5.2K	DIP24	CE
AM3N-S-Z	5, 12, 24	3.3, 5, 7.2, 9, 12, 15, 18, 24		1k, 3K, 5.2K	DIP24	CE
AM3Q-Z	4.5~9, 9~18, 18~36, 36~75	5, 12, 15	±12, ±15	500VAC	non-standard	
AM3T-NZ	4.5~9	5, 9, 12, 15	±5, ±12, ±15	1.5K	DIP24	
AM3T-RZ	9~18, 18~36, 36~72	3.3, 5, 7.2, 9, 12, 15, 18, 24	±3.3, ±5, ±7.2, ±9, ±12, ±15, ±18, ±24	1.5K	DIP24	CE
AM3TW-RZ	9~36, 18~72	3.3, 5, 7.2, 9, 12, 15, 18, 24	±3.3, ±5, ±7.2, ±9, ±12, ±15, ±18, ±24	1.5K	DIP24	CE
AM3TW-Z	9~36, 18~72	3.3, 5, 7.2, 9, 12, 15, 18, 24	±3.3, ±5, ±7.2, ±9, ±12, ±15, ±18, ±24	1.5K, 3.5K	DIP24	
AM3T-Z	9~18, 18~36, 36~72	3.3, 5, 7.2, 9, 12, 15, 18, 24	±3.3, ±5, ±7.2, ±9, ±12, ±15, ±18, ±24	1.5K, 3.5K	DIP24	

Note: Nominal Input voltages are ±10%, unless otherwise specified.



AM3F SIP12



AM3G-Z SIP8



AM3Q-Z Non standard



AM3N-S-Z DIP24



4 Watt

SERIES	INPUT (VDC)	SINGLE OUTPUT (VDC)	DUAL OUTPUT (VDC)	ISOLATION	CASE	SAFETY
AM4N-Z	5, 12	3.3, 5, 12, 15		5K	DIP24	CE
AM4T-Z	9~18, 18~36, 36~72	3.3, 5, 7.2, 9, 12, 15, 18, 24	±3.3, ±5, ±7.2, ±9, ±12, ±15, ±18, ±24	1.5K, 3.5K	DIP24	CE
AM4TW-Z	9~36, 18~72	3.3, 5, 7.2, 9, 12, 15, 18, 24	±3.3, ±5, ±7.2, ±9, ±12, ±15, ±18, ±24	1.5K, 3.5K	DIP24	CE
AM4TW-RZ	9~36, 18~72	3.3, 5, 7.2, 9, 12, 15, 18, 24	±3.3, ±5, ±7.2, ±9, ±12, ±15, ±18, ±24	1.5K	DIP24	CE



AM4TW-RZ DIP24

5 Watt

SERIES	INPUT (VDC)	SINGLE OUTPUT (VDC)	DUAL OUTPUT (VDC)	ISOLATION	CASE	SAFETY
AM5T-Z	9~18, 18~36, 36~72	3.3, 5, 7.2, 9, 12, 15, 18, 24	±3.3, ±5, ±7.2, ±9, ±12, ±15, ±18, ±24	1.5K, 3.5K	DIP24	CE
AM5TW-Z	9~36, 18~72	3.3, 5, 7.2, 9, 12, 15, 18, 24	±3.3, ±5, ±7.2, ±9, ±12, ±15, ±18, ±24	1.5K, 3.5K	DIP24	CE
AM5TW-RZ	9~36, 18~72	3.3, 5, 7.2, 9, 12, 15, 18, 24	±3.3, ±5, ±7.2, ±9, ±12, ±15, ±18, ±24	1.5K	DIP24	CE



AM5TW-Z DIP24

6 Watt

SERIES	INPUT (VDC)	SINGLE OUTPUT (VDC)	DUAL OUTPUT (VDC)	ISOLATION	CASE	SAFETY
AM6Q-Z	4.5~9, 9~18, 18~36, 36~75	3.3, 5, 12, 15	±12, ±15	500VAC	non standard	
AM6T-Z	9~18, 18~36, 36~72	3.3, 5, 7.2, 9, 12, 15, 18, 24	±3.3, ±5, ±7.2, ±9, ±12, ±15, ±18, ±24	1.5K, 3.5K	DIP24	CE
AM6TW-Z	9~36, 18~72	3.3, 5, 7.2, 9, 12, 15, 18, 24	±3.3, ±5, ±7.2, ±9, ±12, ±15, ±18, ±24	1.5K, 3.5K	DIP24	CE
AM6TW-RZ	9~36, 18~72	3.3, 5, 7.2, 9, 12, 15, 18, 24	±3.3, ±5, ±7.2, ±9, ±12, ±15, ±18, ±24	1.5K	DIP24	CE



AM6Q-Z Non standard

Note: Nominal Input voltages are ±10%, unless otherwise specified.

Did you know

Minimization - Ceramic capacitors withstand higher temperatures, higher voltages conditions and reduced leakage current better than traditional tantalum capacitors: AM2Q-Z, AM3Q-Z and AM6Q-Z boast MLCC

50% smaller - The footprint for DIP24 AM15T(W)-Z is 50% smaller than that of a typical discreet solution's with equivalent specifications.

Saves money and the planet - The AM10TW-4803SZ is so much more efficient than other 10watts in its class that it can save 66.576 kWh over 10 years, which translates to over €20 in savings. Producing 66.576 kWh consumes over 55kg of CO2 and it would take more than 50 maple trees over a year to replace that CO2. Higher efficiency saves you money and the planet!

Detailed product information is available in the datasheets at www.aimtec.com

8 Watt



SERIES	INPUT (VDC)	SINGLE OUTPUT (VDC)	DUAL OUTPUT (VDC)	ISOLATION	CASE	SAFETY
AM8T-Z	9~18, 18~36, 36~72	3.3, 5, 12, 15	±5, ±12, ±15	1.5K	DIP24	CE
AM8T-IZ	4.5~9, 9~18, 18~36, 36~75	3.3, 5, 12, 15	±5, ±12, ±15	1.5K	DIP24	CE
AM8TW-Z	9~36, 18~75	3.3, 5, 12, 15	±5, ±12, ±15	1.6K	DIP24	CE
AM8TW-IZ	9~36, 18~75	3.3, 5, 12, 15	±5, ±12, ±15	1.5K	DIP24	CE



AM8TW-Z DIP24

10 Watt

SERIES	INPUT (VDC)	SINGLE OUTPUT (VDC)	DUAL OUTPUT (VDC)	ISOLATION	CASE	SAFETY
AM10E-Z	4.5~9, 9~18, 18~36, 36~72	3.3, 5, 7.2, 9, 12, 15, 18, 24	±3.3, ±5, ±7.2, ±9, ±12, ±15, ±18, ±24	1.5K	2" x 1"	CE
AM10EW-Z	9~36, 18~72	3.3, 5, 12, 15	±5, ±12, ±15	1.5K	2" x 1"	CE
AM10TW-Z	9~36, 18~75	3.3, 5, 12, 15	±5, ±12, ±15	1.6K	DIP24	CE



AM10E-Z 2"x 1"

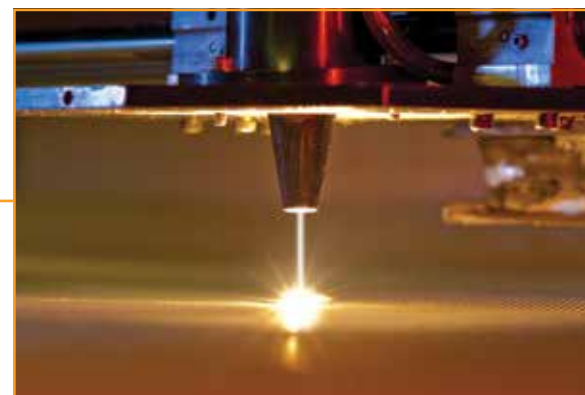
12 Watt

SERIES	INPUT (VDC)	SINGLE OUTPUT (VDC)	DUAL OUTPUT (VDC)	ISOLATION	CASE	SAFETY
AM12T-Z	9~18, 18~36, 36~75	2.5, 3.3, 5, 12, 15	±12, ±15	1.6K	DIP24	CE
AM12TW-Z	9~36, 18~75	3.3, 5.1, 12, 15	±5, ±12, ±15	1.6K	DIP24	CE



AM12T-Z DIP24

Note: Nominal Input voltages are ±10%



15 Watt



SERIES	INPUT (VDC)	SINGLE OUTPUT (VDC)	DUAL OUTPUT (VDC)	ISOLATION	CASE	SAFETY
AM15C-Z	9~18, 18~36, 36~75	3.3, 5, 12, 15	±5, ±12, ±15	1.6K	1" x 1"	CE
AM15CW-Z	9~36, 18~75	3.3, 5, 12, 15	±5, ±12, ±15	1.6K	1" x 1"	CE
AM15E-Z	9~18, 18~36, 36~72	3.3, 5, 7.2, 9, 12, 15, 18, 24	±3.3, ±5, ±7.2, ±9, ±12, ±15, ±18, ±24	1.5K	2" x 1"	CE
AM15E-IZ	9~18, 18~36, 36~75	3.3, 5, 12, 15	±5, ±12, ±15	1.5K	2" x 1"	CE
AM15EW-Z	9~36, 18~72	3.3, 5, 12, 15	±5, ±12, ±15	1.5K	2" x 1"	CE
AM15EW-IZ	9~36, 18~75	3.3, 5, 12, 15	±5, ±12, ±15	1.5K	2" x 1"	CE
NEW AM15T-Z	9~18, 18~36, 36~75	3.3, 5.1, 12, 15	±5, ±12, ±15	1.6K	DIP24	CE
NEW AM15TW-Z	9~36, 18~75	3.3, 5.1, 12, 15	±5, ±12, ±15	1.6K	DIP24	CE



AM15TW-Z DIP24

20 Watt

SERIES	INPUT (VDC)	SINGLE OUTPUT (VDC)	DUAL OUTPUT (VDC)	ISOLATION	CASE	SAFETY
AM20C-Z	9~18, 18~36, 36~75	3.3, 5, 12, 15	±12, ±15	1.6K	1" x 1"	CE
AM20CW-Z	9~36, 18~75	3.3, 5, 12, 15	±12, ±15	1.6K	1" x 1"	CE
AM20E-Z	9~18, 18~36, 36~75	3.3, 5, 12, 15	±12, ±15	1.6K	2" x 1"	CE
AM20EW-Z	9~36, 18~75	3.3, 5, 12, 15	±5, ±12, ±15	1.6K	2" x 1"	CE



AM20C-Z 1"x 1"

30 Watt

SERIES	INPUT (VDC)	SINGLE OUTPUT (VDC)	DUAL OUTPUT (VDC)	TRIPLE OUTPUT (VDC)	ISOLATION	CASE	SAFETY
AM30E-Z	9~18, 18~36, 36~75	3.3, 5, 5.1, 12, 15	±5, ±12, ±15		1.6K	2" x 1"	CE
AM30EW-Z	9~36, 18~75	3.3, 5, 5.1, 12, 15	±5, ±12, ±15	3.3/±12, 3.3/±15, 5/±12, 5/±15	1.6K	2" x 1"	CE
AM30K-IZ	9~18, 18~36, 36~75	3.3, 5, 12, 15	±5, ±12, ±15		1.5K	2" x 1.6"	CE
AM30K-NZ	9~18, 18~36, 36~75	3.3, 5, 12, 15, 24			1.5K	2" x 1.6"	
AM30K-Z	9~18, 18~36, 36~75	3.3, 5, 12, 15	±12, ±15		1.5K	2" x 1.6"	CE



AM30EW-Z 2"x 1"

40 Watt

SERIES	INPUT (VDC)	SINGLE OUTPUT (VDC)	DUAL OUTPUT (VDC)	ISOLATION	CASE	SAFETY
AM40E-Z	9~18, 18~36, 36~75	3.3, 5, 12, 15	±12, ±15	1.6K	2" x 1"	CE
AM40U-AZ	9~18, 18~36, 36~75	3.3, 5, 12, 15		1.6K	2" x 2"	
AM40UW-Z	9~36, 18~75	3.3, 5, 12, 15	±12, ±15	1.6K	2" x 2"	CE



AM40U-AZ 2"x 2"

Note: Nominal Input voltages are ±10%



SWITCHING REGULATORS ARE REPLACING LINEAR REGULATORS

High Efficiency: up to 96% versus 50% for linear regulators

NO heat sink required: Saves PCB real estate

NO forced air cooling required: Eliminates need for mechanical parts

Target Markets:

Fastest growing: green energy initiatives (Energy Star)

All electronics that have been in production for the last 20 years

Market segments: transportation, industrial, commercial, consumer products, etc.

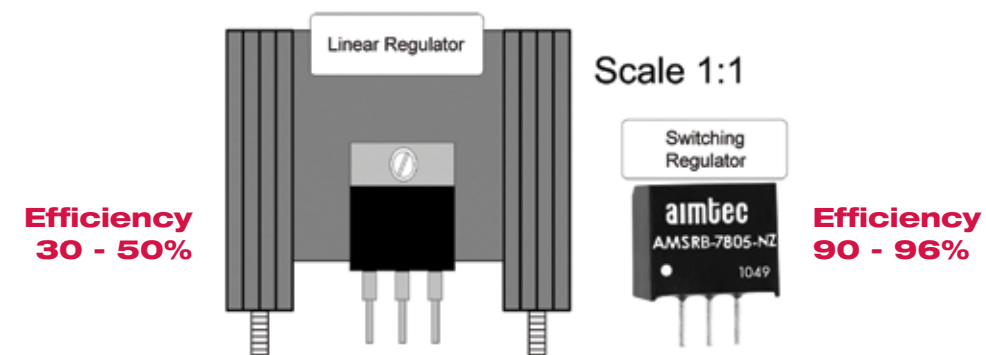


0.75 to 13 Watt Non-Isolated DC/DC Converters

POWER (W)	SERIES	INPUT (VDC)	SINGLE OUTPUT (VDC)	OUTPUT CURRENT MAX (mA)	CASE
0.75 ~ 7.5	AMSR-78Z	4.75~30, 4.75~34, 6.5~34, 8~34, 9~34, 11~34, 15~34, 18~34	1.5, 1.8, 2.5, 3.3, 5, 6.5, 7.2, 9, 12, 15	500	SIP3
1.5 ~ 5	AMSR1-78Z	4.75~18, 6.50~18	1.5, 1.8, 2.5, 3.3, 5	1000	SIP3
1.65 ~ 7.5	AMSR-78-NZ	4.75~28, 6.5~32, 8~32, 11~32, 15~32, 18~32	3.3, 5, 6.5, 9, 12, 15	500	SIP3
1.65 ~ 7.5	AMSRL-78-NZ	4.5~28, 6~28, 14~28, 17~28	3.3, 5, 12, 15	500	SMD
1.65 ~ 7.5	AMSRB-78-NZ	4.5~30, 6.5~30, 8~30, 11~30, 15~30, 18~30	3.3, 5, 6.5, 9, 12, 15	500	SIP3
1.65 ~ 7.5	AMSRB-78-Z	4.5~28, 7~28, 14~28, 17~28	3.3, 5, 12, 15	500	SIP3
1.65 ~ 7.5	AMSRW-78Z	9~72, 14~72, 20~72	3.3, 5, 6.5, 7.2, 9, 12, 15	500	SIP3
NEW 3.3 ~ 12	AMSR1-78-NZ ^a	4.75~28, 6.5~32, 9~32, 12~32, 16~32	3.3, 5, 6.5, 9, 12	1000	SIP3
NEW 3.57 ~ 9.75	AMSR1.5-78-NZ ^a	4.75~18, 6.5~18, 8~18	2.5, 3.3, 5, 6.5	1500	SIP3
NEW 5 ~ 13	AMSR2-78-NZ ^a	4.75~18, 7~18, 8.5~18	2.5, 3.3, 5, 6.5	2000	SIP3

^a: New models with right angle pins for horizontal assemblies

Switching Regulators (non-isolated)



Detailed product information is available in the datasheets at www.aimtec.com



Improved quality / cost ratio with three new cost effective series

AMELx-AZ boasts 305VAC input ideal for building automation systems

5
new series

AC/DC Converters (isolated)

Wide operating temperatures: -40°C to 85°C

High power density: 5 watt, 10 watt and 20 watt with the same small footprint

Low EMI: suitable for very sensitive telecom applications

High I/O Isolation: up to 4000VAC



AC/DC converters

DC/DC converters (High input voltage)



5 Watt

SERIES	SINGLE OUTPUT (VDC)	DUAL OUTPUT (VDC)	ISOLATION (VAC)	INPUT (VAC or VDC / Hz)	SAFETY
AMEL5-MAZ	3.3, 5, 12, 15, 24	±5, ±12, ±15	4K	90~264 or 120~370 / 47~440	CE, cULus, CB
NEW AMEL5-AZ	3.3, 5, 12, 15, 24		3K	90~305 or 120~430 / 47~440	CE, cULus



AMEL5-AZ

6 Watt

AMEO6-NZ	5,12		4K	30~280 or 30~400 / 47~440	
----------	------	--	----	---------------------------	--

10 Watt

NEW AMEL10-AZ	3.3, 5, 12, 15, 24		3K	90~305 or 120~430 / 47~440	CE, cULus
AMEL10-MAZ	3.3, 5, 12, 15, 24	<i>Asymmetric Dual output</i> 3.3/5, 3.3/12, 3.3/15, 3.3/24, 5/12, 5/15, 5/24 12/15, 12/24, 15/24	4K	90~264 or 120~370 / 47~440	CE, cULus, CB
NEW AMEOW10-NZ	--	-3.3/5, -3.3/12, -3.3/15, -5/5, -5/12, -5/15, -12/12, -12/15	4K	65~460 or 90~650 / 47~440	



AMEL10-AZ



AMEL20-AZ

15 Watt

AME15-MAZ	3.3, 5, 12, 15, 24	±5, ±12, ±15	4K	90~264 or 120~370 / 47~440	CE, cULus, CB
AMEC15-MAZ	3.3, 5, 12, 15, 24	±5, ±12, ±15	4K	90~264 or 120~370 / 47~440	CE, cULus, CB
AMES15-MAZ	3.3, 5, 12, 15, 24	±5, ±12, ±15	4K	90~264 or 120~370 / 47~440	CE, cULus, CB

20 Watt

NEW AMEL20-AZ	3.3, 5, 12, 15, 24		3K	90~305 or 120~430 / 47~440	CE, cULus
AMEL20-MAZ	3.3, 5, 12, 15, 24	<i>Asymmetric Dual output</i> 3.3/5, 3.3/12, 3.3/15, 3.3/24, 5/12, 5/15, 5/24 12/15, 12/24, 15/24	4K	90~264 or 120~370 / 47~440	CE, cULus, CB
		-3.3/5, -3.3/12, -3.3/15, -5/5, -5/12, -5/15, -12/12, -12/15			



30 Watt



AME30-MAZ	3.3, 5, 12, 15, 24	±5, ±12, ±15, ±24	4K	90~264 or 120~370 / 47~440	CE, cULus, CB
AMEC30-MAZ	3.3, 5, 12, 15, 24	±5, ±12, ±15, ±24	4K	90~264 or 120~370 / 47~440	CE, cULus, CB
AMES30-MAZ	3.3, 5, 12, 15, 24	±5, ±12, ±15, ±24	4K	90~264 or 120~370 / 47~440	CE, cULus, CB
AMEOC30-MAZ	3.3, 5, 12, 15, 24	±5, ±12, ±15, ±24	4K	90~264 or 120~370 / 47~440	CE, cULus, CB
AMEOS30-MAZ	3.3, 5, 12, 15, 24	±5, ±12, ±15, ±24	4K	90~264 or 120~370 / 47~440	CE, cULus, CB



AMEC-30-MAZ
Enclosed with screw terminals

40 Watt

AME40-MAZ	3.3, 5, 12, 15, 24	±5, ±12, ±15, ±24	4K	90~264 or 120~370 / 47~440	CE, cULus, CB
AMEC40-MAZ	3.3, 5, 12, 15, 24	±5, ±12, ±15, ±24	4K	90~264 or 120~370 / 47~440	CE, cULus, CB
AMES40-MAZ	3.3, 5, 12, 15, 24	±5, ±12, ±15, ±24	4K	90~264 or 120~370 / 47~440	CE, cULus, CB
AMEOC40-MAZ	3.3, 5, 12, 15, 24	±5, ±12, ±15, ±24	4K	90~264 or 120~370 / 47~440	CE, cULus, CB
AMEOS40-MAZ	3.3, 5, 12, 15, 24	±5, ±12, ±15, ±24	4K	90~264 or 120~370 / 47~440	CE, cULus, CB



AMEOS40-MAZ
Open frame with screw terminals

Five Package Types

PACKAGE TYPE	5 WATT	6 WATT	10 WATT	15 WATT	20 WATT	30 WATT	40 WATT
NEW Encapsulated	AMEL5-MAZ AMEL5-AZ		AMEL10-MAZ AMEL10-AZ	AME15-MAZ	AMEL20-MAZ AMEL20-AZ	AME30-MAZ	AME40-MAZ
Enclosed with screw terminal				AMES15-MAZ		AMES30-MAZ	AMES40-MAZ
Enclosed with connector package				AMEC15-MAZ		AMEC30-MAZ	AMEC40-MAZ
NEW Open frame with screw terminal		AMEO6-NZ	AMEOW10-NZ			AMEOS30-MAZ	AMEOS40-MAZ
Open frame with connector package						AMEOC30-MAZ	AMEOC40-MAZ



AMEC15-MAZ
Enclosed with connector package

**Another ground-breaking innovation from Aimtec:
AC/DC LED drivers that operate
at a bone-chilling -55°C**

Indoor or outdoor applications, all weather conditions

Drive a single LED or multiple strings of LEDs

Constant current and constant voltage

Step up and step down converters

Three dimming ranges

Power factor correction (PFC)

LED Drivers

-55°C
to
+85°C



DC/DC LED Drivers Constant Current (non-isolated)



	MAX OUTPUT POWER (W)	SERIES	OUTPUT CURRENT (mA)	OUTPUT VOLTAGE RANGE (V)	INPUT VOLTAGE (VDC)	EFFICIENCY %	CASE	DIMMING RANGE
NEW	4	AMLDP-1630Z	300	2~14	7~16	93	DIP8	PWM/Analog Voltage
NEW	4	AMLDP-1635Z	350	2~14	7~16	93	DIP8	PWM/Analog Voltage
	6	AMLB-3615Z	150	14~48	9~36	90	2"x1"	PWM/Analog Voltage
NEW	7	AMLDP-1650Z	500	2~14	7~16	93	DIP8	PWM/Analog Voltage
	8	AML-6015Z	150	2~57	7~60	97	DIP24	PWM/Analog Voltage
	8	AMLDL-3030Z	300	2~28	7~30	95	DIP14	PWM/Analog Voltage
NEW	8	AMLDP-1660Z	600	2~14	7~16	93	DIP8	PWM/Analog Voltage
	9	AMLDL-3035Z	350	2~28	7~30	95	DIP14	PWM/Analog Voltage
	9	AML-3630IZ	300	2~32	5~36	96	DIP24	PWM/Analog Voltage
NEW	9	AMLDP-1670Z	700	2~14	7~16	93	DIP8	PWM/Analog Voltage
	10	AMLDLW-3035Z	350	2~28	7~30	95	DIP16	PWM/Analog Voltage
	10	AMLDV-4830-NZ	300	3.3~36	5.5~48	96	SMD	PWM/Analog Voltage
	11	AML-3635IZ	350	2~32	5~36	96	DIP24	PWM/Analog Voltage
	12	AMLB-3625Z	250	14~48	9~36	92	2"x1"	PWM/Analog Voltage
	12	AMLDV-4835-NZ	350	3.3~36	5.5~48	96	SMD	PWM/Analog Voltage
	14	AML-6025Z	250	2~57	7~60	97	DIP24	PWM/Analog Voltage
	14	AMLDL-3050Z	500	2~28	7~30	95	DIP16	PWM/Analog Voltage
NEW	14	AMLDL-3050-RZ	500	2~28	7~30	95	DIP14	PWM/Analog Voltage
	14	AMLB-3630Z	300	14~48	9~36	92	2"x1"	PWM/Analog Voltage
NEW	14	AMLDP-16100Z	1000	2~14	7~16	93	DIP8	PWM/Analog Voltage
	14	AMLDLW-3050Z	500	2~28	7~30	95	DIP16	PWM/Analog Voltage
	16	AML-3650IZ	500	2~32	5~36	96	DIP24	PWM/Analog Voltage
	16	AMLDL-3060Z	600	2~28	7~30	95	DIP16	PWM/Analog Voltage
NEW	16	AMLDL-3060-RZ	600	2~28	7~30	95	DIP14	PWM/Analog Voltage
	16	AMLB-3635Z	350	14~48	9~36	92	2"x1"	PWM/Analog Voltage
	17	AML-6030Z	300	2~57	7~60	97	DIP24	PWM/Analog Voltage
	18	AMLDV-4850-NZ	500	3.3~36	5.5~48	96	SMD	PWM/Analog Voltage
	19	AML-3660IZ	600	2~32	5~36	96	DIP24	PWM/Analog Voltage
	19	AMLDL-3070Z	700	2~28	7~30	95	DIP16	PWM/Analog Voltage
NEW	19	AMLDL-3070-RZ	700	2~28	7~30	95	DIP14	PWM/Analog Voltage
	19	AMLDLW-3070Z	700	2~28	7~30	95	DIP16	PWM/Analog Voltage
	20	AML-6035Z	350	2~57	7~60	97	DIP24	PWM/Analog Voltage
	21	AMLDV-4860-NZ	600	3.3~36	5.5~48	96	SMD	PWM/Analog Voltage
	22	AML-3670IZ	700	2~32	5~36	96	DIP24	PWM/Analog Voltage
	24	AMLB-3650Z	500	14~48	9~36	93	2"x1"	PWM/Analog Voltage
	25	AML-3680IZ	800	2~32	5~36	96	DIP24	PWM/Analog Voltage
	25	AMLDV-4870-NZ	700	3.3~36	5.5~48	96	SMD	PWM/Analog Voltage



AMLDP-Z DIP8



AMLDL-Z DIP14



AMLB-Z 2" X 1"



AML-Z DIP24



AMLDV-NZ SMD

Continues on next page



AMEPR5-AZ IP67



AMEPR15D-AZ IP67, IP20



AMEPR30D-AZ IP67



AMER150-AZ IP68

DC/DC LED Drivers Constant Current (non-isolated)



MAX OUTPUT POWER (W)	SERIES	OUTPUT CURRENT (mA)	OUTPUT VOLTAGE RANGE (V)	INPUT VOLTAGE (VDC)	EFFICIENCY %	CASE	DIMMING RANGE
28	AMLD-6050Z	500	2~57	7~60	97	DIP24	PWM/Analog Voltage
28	AMLDL-30100Z	1000	2~28	7~30	95	DIP16	PWM/Analog Voltage
28	AMLD-3690IZ	900	2~32	5~36	96	DIP24	PWM/Analog Voltage
28	AMLB-3660Z	600	14~48	9~36	93	2"x1"	PWM/Analog Voltage
28	AMLDLW-30100Z	1000	2~28	7~30	95	DIP16	PWM/Analog Voltage
32	AMLD-36100IZ	1000	2~32	5~36	96	DIP24	PWM/Analog Voltage
33	AMLB-3670Z	700	14~48	9~36	94	2"x1"	PWM/Analog Voltage
NEW 34	AMLD-6060Z	600	2~57	7~60	97	DIP24	PWM/Analog Voltage
35	AMLD-36110IZ	1100	2~32	5~36	96	DIP24	PWM/Analog Voltage
38	AMLD-36120IZ	1200	2~32	5~36	96	DIP24	PWM/Analog Voltage
40	AMLD-6070Z	700	2~57	7~60	97	DIP24	PWM/Analog Voltage
41	AMLD-36130IZ	1300	2~32	5~36	95	DIP24	PWM/Analog Voltage
44	AMLD-36140IZ	1400	2~32	5~36	95	DIP24	PWM/Analog Voltage
48	AMLD-60100Z	1000	2~48	7~60	97	DIP24	PWM/Analog Voltage
48	AMLD-36150IZ	1500	2~32	5~36	95	DIP24	PWM/Analog Voltage
51	AMLD-36160IZ	1600	2~32	5~36	95	DIP24	PWM/Analog Voltage
57	AMLD-36180IZ	1800	2~32	5~36	95	DIP24	PWM/Analog Voltage
64	AMLD-36200IZ	2000	2~32	5~36	95	DIP24	PWM/Analog Voltage

AC/DC LED Drivers (isolated)

Input voltage: 90 ~ 277VAC or 90 ~ 305VAC / 47 ~ 440Hz (PFC)



MAX OUTPUT POWER (W)	MODEL	OUTPUT CURRENT (mA)	OUTPUT VOLTAGE RANGE (V)	ISOLATION	EFFICIENCY %	CASE	DIMMING RANGE
NEW 4	AMEPR5-0670AZ	700	2~6	3k	73	IP67	N/A
NEW 4	AMEPR5-1236AZ	360	5~12	3k	74	IP67	N/A
NEW 5	AMEPR5-1630AZ	300	8~16	3k	75	IP67	N/A
NEW 5	AMEPR5-1435AZ	350	6~14	3k	74	IP67	N/A
NEW 5	AMEPR5-05100AZ	1000	3~5	3k	72	IP67	N/A
NEW 8	AMEPR10D-1270AZ ^{2,3,4,5,6,7}	700	8~12	3k	79	IP67 & IP20	Triac
NEW 10	AMEPR10D-1564AZ ^{2,3,4,5,6,7}	640	8~15	3k	80	IP67 & IP20	Triac
NEW 10	AMEPR10D-4025AZ ^{2,3,4,5,6,7}	250	30~40	3k	82	IP67 & IP20	Triac
NEW 10	AMEPR10D-5020AZ ^{2,3,4,5,6,7}	200	36~50	3k	82	IP67 & IP20	Triac

AC/DC LED Drivers (isolated)

Input voltage: 90~264 or 90~305VAC / 47~440Hz (PFC) 2nd generation



MAX OUTPUT POWER (W)	MODEL	OUTPUT CURRENT (mA)	OUTPUT VOLTAGE RANGE (V)	ISOLATION	EFFICIENCY %	CASE	DIMMING RANGE
NEW 11	AMEPR10D-3035AZ ^{2,3,4,5,6,7}	350	15~30	3k	81	IP67 & IP20	Triac
NEW 11	AMEPR10D-3630AZ ^{2,3,4,5,6,7}	300	24~36	3k	81	IP67 & IP20	Triac
NEW 15	AMEPR15D-5030AZ ^{2,3,4,5,6,7}	300	36~50	3k	83	IP67 & IP20	Triac
NEW 15	AMEPR15D-15100AZ ^{2,3,4,5,6,7}	1000	8~15	3k	80	IP67 & IP20	Triac
NEW 16	AMEPR15D-4835AZ ^{2,3,4,5,6,7}	350	30~48	3k	83	IP67 & IP20	Triac
NEW 17	AMEPR15D-2470AZ ^{2,3,4,5,6,7}	700	12~24	3k	81	IP67 & IP20	Triac
NEW 18	AMEPR15D-3650AZ ^{2,3,4,5,6,7}	500	24~36	3k	82	IP67 & IP20	Triac
NEW 26	AMEPR30D-3670AZ ^{3,5,7}	700	24~36	3k	83	IP67	Triac
NEW 29	AMEPR30D-4270AZ ^{3,5,7}	700	32~42	3k	84	IP67	Triac
30	AMEPR30D-24125AZ ^{3,5,7}	1250	12~24	3k	82	IP67	Triac
30	AMEPR30D-15200AZ ^{3,5,7}	2000	8~15	3k	81	IP67	Triac
30	AMEPR30-12250AZ ¹	2500 (CC), 0-2550 (CV)	5~12 (CC), 12 (CV)	3k	83(CC), 83(CV)	IP68	Analog/0-10V
31	AMEPR30-4864AZ ¹	640 (CC), 0-660 (CV)	36~48 (CC), 48 (CV)	3k	86(CC), 84(CV)	IP68	Analog/0-10V
NEW 34	AMEPR30D-24140AZ ^{3,5,7}	1400	12~24	3k	83	IP67	Triac
34	AMEPR30-24140AZ ¹	1400 (CC), 0-1450 (CV)	12~24 (CC), 24 (CV)	3k	84(CC), 84(CV)	IP68	Analog/0-10V
NEW 35	AMEPR30D-5070AZ ^{3,5,7}	700	36~50	3k	85	IP67	Triac
35	AMEPR30-5070AZ ¹	700 (CC), 0-770 (CV)	36~50 (CC), 50 (CV)	3k	86(CC), 85(CV)	IP68	Analog/0-10V
NEW 36	AMEPR30D-36100AZ ^{3,5,7}	1000	24~36	3k	84	IP67	Triac
36	AMEPR30-36100AZ ¹	1000 (CC), 0-1040 (CV)	24~36 (CC), 36 (CV)	3k	85(CC), 84(CV)	IP68	Analog/0-10V
60	AMEPR60-50120AZ ¹	1200 (CC), 0-1270 (CV)	36~50 (CC), 50 (CV)	3k	89(CC), 86(CV)	IP68	Analog/0-10V
60	AMEPR60-24250AZ ¹	2500 (CC), 0-2550 (CV)	12~24 (CC), 24 (CV)	3k	87(CC), 85(CV)	IP68	Analog/0-10V
60	AMEPR60-12500AZ ¹	5000 (CC), 0-5200 (CV)	5~12 (CC), 12 (CV)	3k	85(CC), 82(CV)	IP68	Analog/0-10V
60	AMEPR60-36170AZ ¹	1660 (CC), 0-1770 (CV)	24~36 (CC), 36 (CV)	3k	88(CC), 86(CV)	IP68	Analog/0-10V
NEW 90	AMER90-50180AZ ⁸	1800 (CC), 0-1800 (CV)	36~50 (CC), 50 (CV)	3k	91 (CC) 89 (CV)	IP68	Analog/0-10V
NEW 90	AMER90-50180CAZ ⁸	1800 (CC), 0-1800 (CV)	36~50 (CC), 50 (CV)	3.75k	91 (CC) 89 (CV)	IP68	Analog/0-10V
NEW 90	AMER90-36250CAZ ⁸	2500 (CC), 0-2500 (CV)	24~36(CC), 36 (CV)	3.75k	90 (CC) 88 (CV)	IP68	Analog/0-10V

AC/DC LED Drivers (isolated)

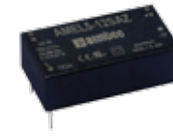
Input voltage: 90 ~ 277VAC / 47 ~ 440Hz (PFC) 2nd generation



MAX OUTPUT POWER (W)	MODEL	OUTPUT CURRENT (mA)	OUTPUT VOLTAGE RANGE (V)	ISOLATION	EFFICIENCY %	CASE	DIMMING RANGE
NEW 90	AMER90-24375CAZ ⁸	3750 (CC) 0-3750 (CV)	12-24 (CC) 24 (CV)	3.75k	89 (CC) 88 (CV)	IP68	Analog/0-10V
NEW 90	AMER90-24375AZ ⁸	3750 (CC) 0-3750 (CV)	12-24 (CC) 24 (CV)	3k	89 (CC) 88 (CV)	IP68	Analog/0-10V
NEW 90	AMER90-36250AZ ⁸	2500 (CC) 0-2500 (CV)	24-36 (CC) 36 (CV)	3k	90 (CC) 88 (CV)	IP68	Analog/0-10V
NEW 120	AMER120-24500AZ ⁸	5000 (CC) 0-5000 (CV)	12-24 (CC) 24 (CV)	3k	89 (CC) 87 (CV)	IP68	Analog/0-10V
NEW 120	AMER120-24500CAZ ⁸	5000 (CC) 0-5000 (CV)	12-24 (CC) 24 (CV)	3.75k	89 (CC) 87 (CV)	IP68	Analog/0-10V
NEW 122	AMER120-36340AZ ⁸	3400 (CC) 0-3400 (CV)	24-36 (CC) 36 (CV)	3k	90 (CC) 89 (CV)	IP68	Analog/0-10V
NEW 122	AMER120-36340CAZ ⁸	3400 (CC) 0-3400 (CV)	24-36 (CC) 36 (CV)	3.75k	90 (CC) 89 (CV)	IP68	Analog/0-10V
NEW 125	AMER120-50250CAZ ⁸	2500 (CC) 0-2500 (CV)	36-50 (CC) 50 (CV)	3.75k	91 (CC) 90 (CV)	IP68	Analog/0-10V
NEW 125	AMER120-50250AZ ⁸	2500 (CC) 0-2500 (CV)	36-50 (CC) 50 (CV)	3k	91 (CC) 90 (CV)	IP68	Analog/0-10V
NEW 150	AMER150-50300AZ ⁸	3000 (CC) 0-3000 (CV)	36-50 (CC) 50 (CV)	3k	91 (CC) 90 (CV)	IP68	Analog/0-10V
NEW 150	AMER150-50300CAZ ⁸	3000 (CC) 0-3000 (CV)	36-50 (CC) 50 (CV)	3.75k	91 (CC) 90 (CV)	IP68	Analog/0-10V
NEW 150	AMER150-36420CAZ ⁸	4160 (CC) 0-4160 (CV)	24-36 (CC) 36 (CV)	3.75k	90 (CC) 88 (CV)	IP68	Analog/0-10V
NEW 150	AMER150-36420AZ ⁸	4160 (CV) 0-4160 (CC)	24-36 (CC) 36 (CV)	3k	90 (CC) 88 (CV)	IP68	Analog/0-10V
NEW 151	AMER150-24630CAZ ⁸	6300 (CC) 0-6300 (CV)	12-24 (CC) 24 (CV)	3.75k	89 (CC) 87 (CV)	IP68	Analog/0-10V
NEW 151	AMER150-24630AZ ⁸	6300 (CC) 0-6300 (CV)	12-24 (CC) 24 (CV)	3k	89 (CC) 87 (CV)	IP68	Analog/0-10V

1		Available in open frame package
2	Add Suffix "-UD"	Universal AC input 90-264VAC(no TRIAC dimming with this option),IP20
3	Add Suffix "-UW"	Universal AC input 90-264VAC(no TRIAC dimming with this option),IP67
4	Add Suffix "-110D"	AC input 90-135VAC, IP20
5	Add Suffix "-110W"	AC input 90-135VAC, IP67
6	Add Suffix "-220D"	AC input 180-264VAC, IP20
7	Add Suffix "-220W"	AC input 180-264VAC, IP67
8	Add Suffix "-F"	No dimming option

Detailed product information is available in the datasheets at www.aimtec.com



AMEL5-AZ



AMES40-MAZ



AMEL20-MAZ

Products with flexible inputs

POWER (W)	SERIES	CONSTANT VOLTAGE		CONSTANT CURRENT		PAGE
		AC/DC CONVERTER	DC/DC CONVERTER	AC/DC LED DRIVER	DC/DC LED DRIVER	
5 to 40	AMExx-MAZ x 13 series	✓	✓			
5	AMEL5-AZ	✓	✓			
10	AMEL10-AZ	✓	✓			
20	AMEL20-AZ	✓	✓			
6	AMEO6-NZ	✓				
10	AMEOW10-NZ	✓	✓			
5	AMEPR5-AZ			✓	✓	
10	AMEPR10D-AZ			✓	✓	
15	AMEPR15D-AZ			✓	✓	
30	AMEPR30D-AZ			✓	✓	
30	AMEPR30-AZ	✓	✓	✓	✓	
60	AMEPR60-AZ	✓	✓	✓	✓	
90	AMER90-CAZ	✓	✓	✓	✓	
90	AMER90-AZ	✓	✓	✓	✓	
120	AMER120-CAZ	✓	✓	✓	✓	
120	AMER120-AZ	✓	✓	✓	✓	
150	AMER150-CAZ	✓	✓	✓	✓	
150	AMER150-AZ	✓	✓	✓	✓	



AMEPR10-AZ
IP67, IP20



AMER150-CAZ
IP68



AMEPR30D-AZ
IP67

DC/DC LED Drivers

Legend

- AMLB-Z Series
- AMLD-Z Series
- AMLDL(W)-Z Series
- AMLD-IZ Series
- AMLDV-NZ Series
- AMLDP-Z Series
- AMLDL-RZ Series

Note: All LED drivers are dimmable via analog and digital (PWM) dimming except for (*) which are only dimmed via digital(PWM) dimming



Model	INPUT (VDC)									OUTPUT CURRENT (mA)	OUTPUT (VDC)								
	60	48	36	30	16	9	7	5.5	5		2	3.3	14	28	32	36	48	57	
AMLD-36200IZ*										0-2000	2"x1"								
AMLD-36180IZ*										0-1800	2"x1"								
AMLD-36160IZ*										0-1600	2"x1"								
AMLD-36150IZ										0-1500	DIP24								
AMLD-36140IZ										0-1400	DIP24								
AMLD-36130IZ										0-1300	DIP24								
AMLD-36120IZ										0-1200	DIP24								
AMLD-36110IZ										0-1100	DIP24								
AMLD-60100Z										0-1000	DIP24								
AMLDP-16100Z											DIP8								
AMLDL(W)-30100Z										DIP16									
AMLD-36100IZ										DIP24									
AMLD-3690IZ										0-900	DIP24								
AMLD-3680IZ										0-800	DIP24								
AMLDV-4870-NZ										0-700	Surface Mount								
AMLDL-3070-RZ											DIP14								
AMLD-3670IZ										DIP24									
AMLD-6070Z										DIP24									
AMLB-3670Z											2"x1"								
AMLDP-1670Z										DIP8									
AMLDL(W)-3070Z										DIP16									
AMLDV-4860-NZ										Surface Mount									
AMLDL-3060-RZ										DIP14									
AMLD-3660IZ										DIP24									
AMLD-6060Z										DIP24									
AMLB-3660Z											2"x1"								
AMLDP-1660Z										DIP8									
AMLDL-3060Z										DIP16									
AMLDV-4850-NZ										Surface Mount									
AMLDL-3050-RZ										DIP14									
AMLD-3650IZ										DIP24									
AMLD-6050Z										DIP24									
AMLB-3650Z											2"x1"								
AMLDP-1650Z										DIP8									
AMLDL(W)-3050Z										DIP16									
AMLDV-4835-NZ										Surface Mount									
AMLD-3635IZ										DIP24									
AMLD-6035Z										DIP24									
AMLB-3635Z											2"x1"								
AMLDP-1635Z										DIP8									
AMLDL(W)-3035Z										DIP14									

DC/DC LED Drivers

Model	INPUT (VDC)									OUTPUT CURRENT (mA)	OUTPUT (VDC)								
	60	48	36	30	16	9	7	5.5	5		2	3.3	14	28	32	36	48	57	
AMLDV-4830-NZ										0-300	Surface Mount								
AMLD-3630IZ											DIP24								
AMLD-6030Z											DIP24								
AMLB-3630Z												2"x1"							
AMLDP-1630Z											DIP8								
AMLDL-3030Z											DIP14								
AMLD-6025Z											DIP24								
AMLB-3625Z											0-250								
AMLD-6015Z											DIP24								
AMLB-3615Z											0-150								
												2"x1"							
												2"x1"							

AC/DC Converters

Series	INPUT (VAC)			WATTS	OUTPUT (VDC)					Output Types	
	305	264	90		3.3	5	12	15	24		
AMEOC40-MAZ				40						Single & Dual	
AMEOS40-MAZ										Single & Dual	
AMEC40-MAZ										Single & Dual	
AMES40-MAZ										Single & Dual	
AME40-MAZ				30						Single & Dual	
AMEOC30-MAZ										Single & Dual	
AMEOS30-MAZ										Single & Dual	
AMEC30-MAZ										Single & Dual	
AMES30-MAZ				20						Single & Dual	
AME30-MAZ										Single & Dual	
AMEL20-AZ										Single	
AMEL20-MAZ										Single & Asymmetric Dual	
AMEC15-MAZ				15						Single & Dual	
AMES15-MAZ										Single & Dual	
AME15-MAZ										Single & Dual	
AMEL10-AZ					10						Single
AMEL10-MAZ										Single & Asymmetric Dual	
AMEL5-MAZ				5							Single & Dual
AMEL5-AZ											Single
					3.3	5	12	15	24		



AM1P-NZ



AM2LV-NZ

DC/DC Converters

INPUT (VDC)										WATTS	OUTPUT (VDC)										
75	72	48	36	24	18	12	9	5	3.3		2.5	3.3	5	7.2	9	12	15	18	24		
				AM2Q-Z			2:1			2					Single & Dual						
				AM2LV-NZ			2:1				Single & Dual										
				AM2LP-NZ												Single					
				AM2L-NZ												Single & Dual & Dual Separated					
				AM2GH-Z			4:1									Single & Dual					
				AM2B-NZ												Single					
						AM2N-NZ										Single & Dual					
				AM2F-Z												Single Output					
				AM2D-Z & AM2D-NZ & AM2D-RZ												Single & Dual & Dual Separated					
				AM2GW-Z & AM2GW-NZ			4:1									Single & Dual					
				AM2G-Z			2:1									Single & Dual					
				AM2S-Z												Single					
				AM2LW-NZ			4:1				1.5					Single & Dual					
				AM1MR-Z								Single									
						AM1M-NZ											Single				
						AM1LT-NZ										Single					
						AM1LS-NZ											Single				
				AM1LH-FZ												Single & Dual					
				AM1L-NZ & AM1L-FZ												Single & Dual & Dual Separated					
						AM1N-NZ										Single & Dual					
				AM1D-Z & AM1D-RZ & AM1D-NZ											Single & Dual & Dual Separated						
				AM1PS-Z						1					Single & Dual						
				AM1P-Z & AM1P-NZ											Single & Dual & Dual Separated						
				AM1DS-Z & AM1DS-NZ											Single & Dual						
				AM1DR-Z, AM1DR-NZ & AM1DR-RZ											Single						
				AM1G-Z			2:1									Single & Dual					
				AM1DC-Z												Single & Dual					
				AM1SS-Z													Single				
				AM1S-Z												Single					
				AM1/4S-Z												Single					
				AM1/4L-NZ							1/4					Single & Dual					

DC/DC Converters (con't)

INPUT (VDC)										WATTS	OUTPUT (VDC)									
75	72	48	36	24	18	12	9	5	3.3		2.5	3.3	5	7.2	9	12	15	18	24	
				AM40UW-AZ					4:1	40					Single & Dual					
				AM40U-AZ					2:1							Single & Dual				
				AM40E-Z					2:1							Single & Dual				
				AM30K-IZ, AM30K-Z & AM30K-NZ					2:1							Single & Dual				
				AM30EW-Z					4:1	30					Single, Dual, & Triple					
				AM30E-Z					2:1							Single & Dual				
				AM20CW-Z					4:1	20					Single & Dual					
				AM20C-Z					2:1							Single & Dual				
				AM20EW-Z					4:1							Single & Dual				
				AM20E-Z					2:1							Single & Dual				
				AM15EW-Z & AM15EW-IZ					4:1	15					Single & Dual					
				AM15E-Z & AM15E-IZ					2:1							Single & Dual				
				AM15CW-Z					4:1							Single & Dual				
				AM15T-Z					2:1							Single & Dual				
				AM15TW-Z					4:1	12					Single & Dual					
				AM15C-Z					2:1							Single & Dual				
				AM12TW-Z					4:1	10					Single & Dual					
				AM12T-Z					2:1							Single & Dual				
				AM10TW-Z					4:1	8					Single & Dual					
				AM10EW-Z					4:1							Single & Dual				
				AM10E-Z					2:1	6					Single & Dual					
				AM8TW-Z & AM8TW-IZ					4:1							Single & Dual				
				AM8T-IZ & AM8T-Z					2:1	5					Single & Dual					
				AM6Q-Z					2:1							Single & Dual				
				AM6TW-Z & AM6TW-RZ					4:1	4					Single & Dual					
				AM6T-Z					2:1							Single & Dual				
				AM5TW-Z & AM5TW-RZ					4:1	3					Single & Dual					
				AM5T-Z					2:1							Single & Dual				
				AM4TW-Z & AM4TW-RZ					4:1	3					Single & Dual					
				AM4T-Z					2:1							Single & Dual				
										AM4N-Z					Single					
				AM3TW-Z & AM3TW-RZ					4:1	3					Single & Dual					
				AM3T-RZ & AM3T-Z & AM3T-NZ					2:1							Single & Dual				
				AM3Q-Z					2:1	3						Single & Dual				
				AM3LV-NZ					2:1							Single & Dual				
				AM3N-D-RZ & AM3N-S-Z						3					Single & Dual					
				AM3GH-Z					4:1							Single & Dual				
				AM3GW-Z					4:1	3					Single & Dual					
				AM3G-Z & AM3G-NZ					2:1							Single & Dual				
				AM3F-Z						3					Single					
											AM3D-Z					Single & Dual				

AC/DC LED Drivers
Universal^{PLUS} input range **90-305VAC**

0 → 6300									AMER150-24630AZ AMER150-24630CAZ					
0 → 5000			AMEPR60-12500AZ						AMER120-24500AZ AMER120-24500CAZ					
0 → 4160											AMER150-36420AZ AMER150-36420CAZ			
0 → 3750									AMER90-24375AZ AMER90-24375CAZ					
0 → 3400											AMER120-36340AZ AMER120-36340CAZ			
0 → 3000														AMER150-50300AZ AMER150-50300CAZ
0 → 2500			AMEPR30-12250AZ						AMEPR60-24250AZ		AMER90-36250AZ AMER90-36250CAZ			AMER120-50250AZ AMER120-50250CAZ
0 → 2000							AMEPR30D-15200AZ							
0 → 1800														AMER90-50180AZ AMER90-50180CAZ
0 → 1700											AMEPR60-36170AZ			
0 → 1400									AMEPR30D-24140AZ AMEPR30-24140AZ AMEPR30D-24125AZ					
0 → 1250														
0 → 1200														AMEPR60-50120AZ
0 → 1000		AMEPR5-05100AZ					AMEPR15D-15100AZ				AMEPR30-36100AZ AMEPR30D-36100AZ			
0 → 700	AMEPR5-0670AZ				AMEPR10D-1270AZ			AMEPR15D-2470AZ			AMEPR30D-3670AZ		AMEPR30D-4270AZ	AMEPR30D-5070AZ AMEPR30-5070AZ AMEPR30-4864AZ*
0 → 640							AMEPR10D-1564AZ							
0 → 500											AMEPR15D-3650AZ			
0 → 360			AMEPR5-1236AZ											
0 → 350				AMEPR5-1435AZ						AMEPR10D-3035AZ		AMEPR15D-4835AZ		
0 → 300							AMEPR5-1630AZ				AMEPR10D-3630AZ			AMEPR15D-5030AZ
0 → 250												AMEPR10D-4025AZ		
0 → 200														AMEPR10D-5020AZ
	2 → 6	3 → 5	5 → 12	6 → 14	8 → 12	8 → 15	8 → 16	12 → 24	15 → 30	24 → 36	30 → 40	30 → 48	32 → 42	36 → 50

- 5W AMEPR5-AZ Series
- 10W AMEPR10D-AZ Series
- 15W AMEPR15D-AZ Series
- 30W AMEPR30D-AZ Series
- 30W AMEPR30-AZ Series
- 60W AMEPR60-AZ Series

- 90W AMER90-AZ Series
- 90W AMER90-CAZ Series
- 120W AMER120-AZ Series
- 120W AMER120-CAZ Series
- 150W AMER150-AZ Series
- 150W AMER150-CAZ Series

Note: Input Voltage range 90-305Vac
 Note: All AC/DC LED drivers can be dimmed from the maximum output current down to 0 via analog dimming function
 * Denotes max load voltage is 48V

Legend

Product Comparisons						PAGE
Series	Output voltages accuracy	load regulation (typ)	Ripple & noise	Efficiency		
AM1D-Z	±3%	10%(load 20~100%)	75mV(p-p)	up to 80%		
AM1D-NZ	±5%	10%(load 10~100%)	75mV(p-p)	up to 82%		
AM1D-RZ	±3%	±6%(load 10~100%)	50mV(p-p)	up to 89%		
Series	line regulation	load regulation (typ)	Operating temperature	Short circuit protection		
AM1DR-Z	±0.5%(line ±10%)	±0.5%(load 0~100%)	-40~+85°C (full load)	1 sec		
AM1DR-NZ	±0.25%(line ±5%)	±1%(load 10~100%)	-40~+71°C (full load)	1 sec		
AM1DR-RZ	±0.5%(line ±10%)	±0.5%(load 0~100%)	-40~+85°C (full load)	Continuous		
Series	Output voltages accuracy	load regulation (typ)	Ripple & noise	I/O isolation		
AM1DS-Z	±3%	±10%(load 20~100%)	75mV (p-p)	1k, 3k, 4k, 5.2k, 6kVDC		
AM1DS-NZ	±5%	20%(load 10~100%)	200mV (p-p)	1k or 3kVDC		
Series	Output voltages accuracy	load regulation (typ)	Ripple & noise	Isolation 1000VDC	Isolation 3000VDC	
AM1L-NZ	±5%	10%(load 10~100%)	75mV (p-p)	standard case	non-standard case	
AM1L-FZ	±1%	8%(load 20~100%)	100mV (p-p)	standard case	non-standard case	
Series	Output voltages accuracy	load regulation (typ)	Ripple & noise	I/O isolation		
AM1P-Z	±3%	±10%(load 20~100%)	100mV (p-p)	1k or 3kVDC		
AM1P-NZ	±5%	10%(load 10~100%)	75mV (p-p)	1kVDC		
Series	Output voltages accuracy	load regulation (typ)	Ripple & noise			
AM1S-Z	±3%	±10%(load 20~100%)	100mV(p-p)			
AM1S-NZ	±5%	10%(load 10~100%)	75mV(p-p)			
Series	Output voltages accuracy	load regulation (typ)	Ripple & noise	I/O isolation	Efficiency	
AM2D-Z	±3%	±10%(load 20~100%)	75mV(p-p)	1k, 3k, 4k, 5.2kVDC	up to 82%	
AM2D-NZ	±5%	±8%(load 10~100%)	100mV(p-p)	1k or 3kVDC	up to 87%	
AM2D-RZ	+2/-4%	±5%(load 10~100%)	50mV(p-p)	1k or 3kVDC	up to 89%	
Series	Output voltages accuracy	load regulation (typ)	Ripple & noise			
AM2GW-NZ	±3%	±1.5%(load 10~100%)	100mV(p-p)			
AM2GW-Z	±1%	±0.5%(load 10~100%)	50mV(p-p)			
Series	Output voltages accuracy	load regulation (typ)	Ripple & noise	I/O isolation	Efficiency	
AM3G-NZ	±3%	±1%(load 10~100%)	100mV(p-p)	1.5kVDC	up to 81%	
AM3G-Z	±1%	±1%(load 25~100%)	75mV(p-p)	1.6k, 3kVDC	up to 84%	

Detailed product information is available in the datasheets at aimtec.com

Product Comparisons						PAGE
Series	Pinout					
AM3T-RZ	Standard					
AM3T-Z	alternative					
Series	Pinout					
AM3TW-RZ	Standard					
AM3TW-Z	alternative					
Series	Pinout					
AM4TW-RZ	Standard					
AM4TW-Z	alternative					
Series	Pinout					
AM5TW-RZ	Standard					
AM5TW-Z	alternative					
Series	Pinout					
AM6TW-RZ	Standard					
AM6TW-Z	alternative					
Series	Input voltage range	Operating temperature	Ripple & noise			
AM8T-Z	9-18, 18-36, 36-72	-40 to +55°C (full power)	75mV(p-p)			
AM8T-IZ	4.5-9, 9-18, 18-36, 36-75	-40 to +70°C (full power)	80~150mV(p-p)			
Series	load regulation	Remote on-off	Ripple & noise			
AM8TW-Z	±0.5%(load 0~100%)	Yes	75mV(p-p)			
AM8TW-IZ	±0.5%(load 10~100%)	No	80~150mV(p-p)			
Series	load regulation	Remote on-off	Ripple & noise			
AM15E-Z	±0.5%(load 10~100%)	No	100mV(p-p)			
AM15E-IZ	±0.5%(load 25~100%)	Yes	50~150mV(p-p)			
Series	load regulation	Vout temperature coefficient	Ripple & noise			
AM15EW-Z	±0.5%(load 10~100%)	±0.02%	75mV(p-p)			
AM15EW-IZ	±0.5%(load 25~100%)	±0.05%	50~150mV(p-p)			
Series	load regulation	Vout temperature coefficient	Ripple & noise	Output voltages accuracy		
AM30K-Z	±0.5%(load 10~100%)	±0.02%	75mV(p-p)	±5%		
AM30K-IZ	±0.5%(load 25~100%)	±0.05%	80~150mV(p-p)	±2%		
AM30K-NZ	±0.5%(load 10~100%)	±0.02%	100mV	±1%		

Detailed product information is available in the datasheets at aimtec.com

DC-DC

Isolated Power by Case Type

Power	SMD	SIP4	SIP7	SIP8	SIP9	SIP12	DIP8	DIP14	DIP16	DIP24	Non standard	1x1"	2 x 1"	2 x 1.6"	2 x 2"	
0.25W	AM1/4L-NZ	AM1/4S-Z														
1W	AM1L-NZ	AM1S-Z	AM1D-Z	AM1G-Z			AM1P-Z	AM1M-NZ		AM1N-NZ						
	AM1L-FZ	AM1S-NZ	AM1D-NZ				AM1P-NZ	AM1MR-Z								
	AM1LH-FZ	AM1SS-Z	AM1D-RZ				AM1PS-Z									
	AM1LS-NZ		AM1DS-Z													
	AM1LT-NZ		AM1DS-NZ													
1.5W	AM2LW-NZ															
	AM2L-NZ	AM2S-Z	AM2D-Z	AM2G-Z	AM2GW-NZ	AM2F-Z			AM2B-NZ	AM2N-NZ	AM2Q-Z					
	AM2LP-NZ		AM2D-NZ	AM2GH-Z	AM2GW-Z											
	AM2LV-NZ		AM2D-RZ													
3W	AM3LV-NZ		AM3D-Z	AM3G-Z	AM3GW-Z	AM3F-Z				AM3N-S-Z	AM3Q-Z					
				AM3G-NZ						AM3N-D-RZ						
				AM3GH-Z						AM3T(W)-RZ						
										AM3T(W)-Z						
4W										AM3T-NZ						
										AM4T(W)-Z						
										AM4TW-RZ						
5W										AM4N-Z						
										AM5T(W)-Z						
6W										AM5TW-RZ						
										AM6T(W)-Z	AM6Q-Z					
8W										AM6TW-RZ						
										AM8T(W)-Z						
10W										AM8T(W)-IZ						
										AM10TW-Z		AM10E-Z				
12W												AM10EW-Z				
										AM12T-Z						
15W										AM12TW-Z						
										AM15T-Z	AM15C-Z	AM15E(W)-Z				
20W										AM15TW-Z	AM15CW-Z	AM15E(W)-IZ				
											AM20C-Z	AM20E-Z				
30W											AM20CW-Z	AM20EW-Z				
												AM30E-Z	AM30K-Z			
40W												AM30EW-Z	AM30K-IZ			
													AM30K-NZ			
												AM40E-Z			AM40U-AZ	
															AM40UW-Z	

Detailed product information is available in the datasheets at aimtec.com

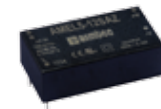
AC-DC



Converter Comparisons

Series	Input voltage range	I/O isolation	Medical certification	Operating temperature range
AMEL5-AZ	90-305VAC	3000VAC	NO	-40 to +80°C
AMEL5-MAZ	90-264VAC	4000VAC	YES	-25 to +80°C
AMEL5-EMAZ	90-264VAC	4000VAC	YES	-40 to +80°C
AMEL10-AZ	90-305VAC	3000VAC	NO	-40 to +80°C
AMEL10-MAZ	90-264VAC	4000VAC	YES	-40 to +80°C
AMEL20-AZ	90-305VAC	3000VAC	NO	-40 to +80°C
AMEL20-MAZ	90-264VAC	4000VAC	YES	-40 to +80°C

Detailed product information is available in the datasheets at aimtec.com



AMEL5



AMEL10



AMEL20

AC-DC

LED Driver Comparisons

Series	Input voltage range	Weatherproof	Operating temperature range	Working modes	Dimming
AMEPR30-AZ	90-305VAC	IP68	-40 to +85°C	Constant voltage & constant current	Resistive, 0~10V
AMEPR30D-AZ	90-264VAC, 90-135VAC, 180-264VAC	IP67	-20 to +80°C	constant current	Triac

Detailed product information is available in the datasheets at aimtec.com



AMEPR30-AZ



AMEPR30D-AZ

Aimtec power supplies are everywhere

- 3D imaging equipment
- Access control systems
- Actuator for motion control systems
- Analog to digital audio/video converters
- Athletic performance evaluation systems
- ATM machines
- Automated dispatching and control systems
- Automated payment machines
- Automatic controls for amusement park rides
- Automatic door systems
- Automation systems
- Automotive
- Battery charging stations for cars
- Battery management systems
- Burner controls
- Cabin lighting in trains
- Cardiac mapping devices
- Cash registers terminals
- Commercial alarm systems
- Commercial paper shredders
- Commercial TV displays
- Compressor controllers

- Control panels for manufacturing equipment
- Control panels for truck mounted cranes
- Control prototyping system
- Control systems in automotive gas stations
- Control systems in oil industry
- Control panels for cooking stoves
- Data acquisition and transmission systems
- Dental Equipment
- Digital simulators
- Digital video cameras
- Dishwashers
- Electric car chargers
- Electric energy metering systems (AMR)
- Electric motor controllers
- Electrical meters
- Electrical monitoring relays
- Elevator controls
- Endoscope
- Fluid metering systems
- Forestry equipment
- Fuel level sensors

- Gas analyzers
- Gas meters
- Ground fault monitors
- Head-end equipment for broadcasting
- High Frequency RF Generators
- Home automation systems
- HVAC controllers
- Induction cookers
- Industrial automation equipment
- Industrial battery chargers
- Industrial Cathodic Protection System
- Industrial controllers
- Industrial Cyber-Physical Systems
- Industrial Ethernet Switches
- Industrial instrumentation
- Industrial laser and ultrasonic systems
- Industrial scales
- Industrial signal control
- Industrial telecommunication systems
- Industrial thermal mass flow meters
- Industrial ventilation systems
- Industrial Voltmeters
- Intercom systems
- IP modems

- Keypad Controllers
- Laser Control Board
- Laser cutters
- Laser measurement devices
- LED architectural lighting
- LED billboards
- LED lighting in underground applications
- LED lights within control panels
- LED security lighting
- LED street lights
- LED traffic lights
- LED industrial lighting
- LED pool lighting systems
- LNA modules



- Machine to machine communication equipment
- Manufacturing control systems
- Media encoders
- Medical devices
- Microbalance scales
- Micro-computer monitoring systems
- Microcontrollers
- Microwave ovens
- Moisture control & measurement equipment
- Motor controllers
- Motorized wheelchairs
- Motors for rolling shutters
- Multimedia game consoles
- Nautical LED lighting applications
- Network servers
- Ophthalmology/Optomety devices
- Packaging equipment
- Perfusion pumps
- Photovoltaic systems
- Portable air conditioners
- Portable audio amplifiers
- Positive train control systems
- Postage meters
- Power supplies for commercial clock systems
- Pulse input modules

- Radio frequency dermatology devices
- Railway onboard equipment
- Railway signaling systems
- Refrigerators
- Remote broadcast systems
- Remote controllers for lighting systems
- Residential and commercial alarm systems
- Retail anti-theft alarm systems
- Robotic manufacturing equipment
- Satellite systems
- Self-serve gas pumps
- Set top boxes
- Signal testing systems for cable television
- Smart room controllers
- Smart TVs
- Solar control units
- Solar inverters
- Solar LED lighting fixtures
- Solar panels
- Solar Tracking System
- Submersible pumps
- Surge protection power bars
- Swimming pool lighting systems

- Telemechanics cabinets
- Telemetry Modems
- Temperature sensors
- Test and measurement devices
- Textile equipment
- Therapeutic laser and sonograph devices
- Timing systems for UV phototherapy equipment
- Traffic management systems
- Traffic Sensors
- Transducer Conditioner Amplifiers
- Transportation terminal display boards
- Trimix Analyzer
- Ultrasonic cleaning devices
- Uninterrupted power supplies (UPS)
- USB Oscilloscope
- Vending machines
- Video projectors
- Video servers
- Water quality monitoring equipment
- Water treatment systems
- Welding control units
- Whirlpool/hot tub systems
- Wi-Fi Routers
- Wind turbines
- Wireless comm. devices (GSM/GPRS)
- Wireless comm. equipment for street lights
- Wireless USB modules
- X-Ray equipment
- X-Ray generators

What makes Aimtec different...

Unique products with distinctive features, such as our newest line of LED Drivers that operate:

- as both AC/DC or DC/DC drivers
- in either constant current or constant voltage mode
- at a bone chilling **-55°C**

A product line that ranges from 1/4Watt to 150Watt and with a selection of over **26 package types**

One of the industry's largest product offerings within the **1 to 3** watt range

Exceptional quality/cost ratio

Most products feature an extended operating temperature range of -40°C to +85°C, with some reaching as far as -55°C to +85°C

Outstanding technical and client **support** worldwide and in several languages – always within 24hrs

Aimtec's strong corporate culture is based on a unique mixture of technical vision, innovation and a strong commitment to **surpassing** our clients' expectations.

Value

Delivering products that provide exceptional performance and reliability at very affordable prices is how Aimtec defines its value proposition. Aimtec's power supplies are designed and manufactured to perform, period. The company **guarantees** the performance and reliability of its AC/DC and DC/DC converters with a two year manufacturer's warranty and a number of its LED drivers with a five year manufacturer's warranty.

Selection

With one of the widest selections of low-to-mid range power converters from 0.25 Watts to 151 Watts, Aimtec offers one of the **industry's largest** product offerings within the 1 watt to 3 watt range.

Lead Time

With standard lead times for product orders of 6 to 8 weeks, complimented by a global network of **stocking distributors** who fulfill sample quantities for most models, Aimtec offers one of the shortest lead times in the industry.

Design

The depth and expertise of Aimtec's electronic design capabilities allow it to deliver highly integrated power supplies that provide energy efficient, cost-effective solutions for a multitude of applications. Aimtec's power converters are renowned for being reliable, robust products that are best in their class for their technical parameters and their **quality/cost ratio** and for exceeding industry norms in terms of features, performance, safety standards and power density.

Support

Aimtec works with a distribution network in over 102 regions **worldwide** to better support and services its clients' individual needs.



205 rue Joseph Carrier
Vaudreuil-Dorion, Quebec, J7V 5V5 Canada
Tel: +1-514-620-2722
Fax: +1-514-620-2725
Toll Free: 1-888-9-Aimtec (924-6832) North America Only
info@aimtec.com

www.aimtec.com

Aimtec products are available through
a global network of local and regional
distributors and representatives.

Your Power Partner

C O D I C O®

Zwingenstrasse 6-8, A-2380 Perchtoldsdorf
Tel. Vienna +43/(0)1/86 305 - 5000
Fax Vienna +43/(0)1/86 305 - 98
e-mail: office@codico.com
www.codico.com

