

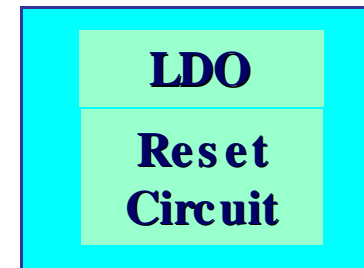
What is it?

The MP6401 family are the microprocessor supervisory circuits that integrate a 300mA LDO Linear Regulator and a reset circuit. The MP6401 can monitor and provide reset function for system voltages. By combining an LDO and a reset circuit, these products can reduce cost and saving space in ultra compact portable devices.

Applications

- Smart Phone and Cell Phone
- Portable GPS Devices
- Wireless Devices
- PDA and PMP

MP6401 Family



PDA & GPS



Set-Top Box



MP3 & MP4



Monolithic Power Systems

Features

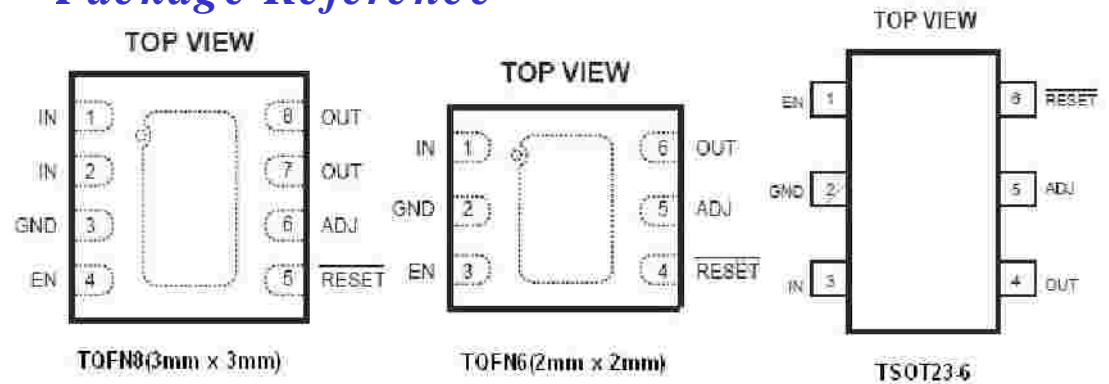
- Low Quiescent Current of 80uA
- Low 114mV Dropout (300mA)
- $\pm 2\%$ Accurate Output Voltage
- **Fixed Output Voltage Options of 1.8V, 2.5V or 3.3V**
- Adjustable Output Voltage from 1.229V to 5V Using an External Resistor Driver
- **15uVRMS Ultra Low Noise Output**
- **High PSRR: 60dB at 1kHz**
- Input Reverse Current, Thermal and Short Circuit Protection
- **Four Delay Time Options**
- **6 Pin TSOT23, 2mm x 2mm TQFN6, 3mm x 3mm TQFN8 Packages**

Benefits

- TQFN 3x3 is p2p to MAX6469
- MP6401 has high PSRR and low Output Noise
- Low quiescent current \rightarrow for battery-powered application
- LDO+ Reset \rightarrow reduce cost & Board space vs discrete

MP6401 – 300mA LDO Linear Regulator with Integrated Reset Circuit

Package Reference



Typical Application Circuit

