



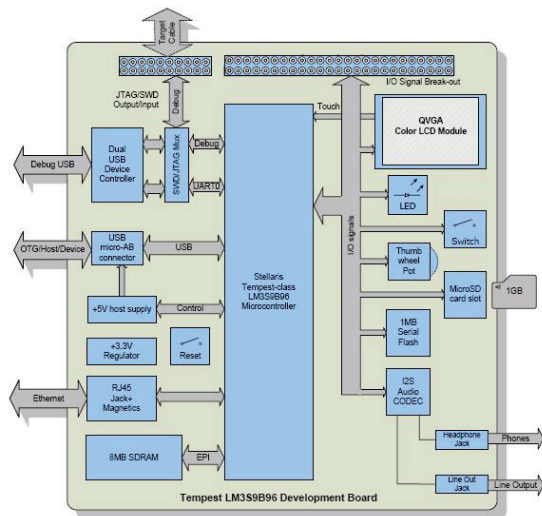
Stellaris® LM3S9B96 Microcontroller Development Kit

LUMINARY MICRO

Luminary Micro's Stellaris® LM3S9B96 Microcontroller Development Kit (DK-LM3S9B96) is a full-featured development kit for Tempest-class devices. The LM3S9B96 development board has a maximum set of peripherals to demonstrate the microcontroller's capabilities and provides maximum flexibility with break-out header pads for all I/O.

The LM3S9B96 development board provides a platform for evaluating memory-demanding applications as well as applications that utilize the Tempest class of new capabilities such as I²S audio, extended peripheral interface (EPI) capability, and the simultaneous availability of Ethernet, USB OTG, and CAN communications. Target applications include networking, graphical user-interface (GUI), and connected Human Machine Interface (HMI) applications. The LM3S9B96 development board is also a useful development vehicle for systems programmed using tools such as Microsoft's .NET Micro Framework and Embedded LabView from National Instruments.

Features



Development Board

- 3.5" landscape color LCD graphics display
 - TFT LCD module with 320 x 240 resolution
 - Resistive touch interface
- 80 MHz LM3S9B96 microcontroller with 256 K Flash, 96 K SRAM, and integrated Ethernet MAC+PHY, USB OTG, and CAN communications
 - 8 MB SDRAM (plug-in EPI option board)
 - Break-out board for External Peripheral Interface (EPI) signals
- 1 MB serial flash memory
- Precision 3.00 V Voltage reference

- SafeRTOS™ operating system in microcontroller ROM
- I²S stereo audio codec
 - Line Out
 - Headphone Out
 - Microphone In
 - Line In
- Controller Area Network (CAN) interface
- 10/100 BaseT Ethernet
- USB OTG connector
 - Device, Host, and OTG modes
- User LED and pushbutton
- Thumbwheel potentiometer
- MicroSD card slot

Development Kit

- Standard ARM® 10-pin JTAG debug connector
- Integrated In-Circuit Debug Interface (ICDI)
- USB virtual com port
- Jumper shunts to conveniently reallocate I/O resources
- Easy to customize
 - Includes full source code, example applications, and design files
 - Develop using tools supporting the DK-LM3S9B96 from Keil, IAR, Code Sourcery, and Code Red
 - Supported by Luminary Micro's StellarisWare™ software including the graphics library and the peripheral driver library

Kit Contents



The Stellaris® DK-LM3S9B96 Development Kit provides the tools engineers need to develop and prototype embedded applications right out of the box including:

- Stellaris® LM3S9B96 development board
- Mini-B USB cable (3-foot) for debug function
- Micro-A plug to Std-A receptacle (connects to USB flash drive)



DK-LM3S9B96 (continued)

- Std-A plug to Micro-B plug (connects to PC as a USB device)
- USB Flash Drive (128 MB)
- 20-way target cable
- Ethernet cable
- MicroSD card
- CD with tools, documentation, and source code

Ordering Information

| Product Number | Description |
|----------------|---|
| DK-LM3S9B96 | Stellaris® LM3S9B96 Microcontroller Development Kit |

Luminary Micro, Inc. • 108 Wild Basin, Suite 350 • Austin, TX 78746
Main: +1-512-279-8800 • Fax: +1-512-279-8879 • <http://www.luminarymicro.com> • sales@luminarymicro.com

Copyright © 2009 Luminary Micro, Inc. All rights reserved. Stellaris, Luminary Micro, and the Luminary Micro logo are registered trademarks, and StellarisWare is a trademark of Luminary Micro, Inc. or its subsidiaries in the United States and other countries. ARM and Thumb are registered trademarks, and Cortex is a trademark of ARM Limited. Other names and brands may be claimed as the property of others.