

SPECIFICATION

Customer : _____

Customer's Model No. : _____

Model No. : MCR3 _____

Date : _____

Sample Serial No. : _____

Spec. Version & Revision Date: V1.0 2004.09.01 _____

Received/Approved by



ChampTek Incorporated
5/F, No. 2, Alley 2, Shih-Wei Lane, Chung Cheng Rd.,
Hsin Tien City, Taipei, Taiwan, R.O.C.

Web : <http://www.champtek.com>

Tel : 886-2-22192385

E-mail : sales@champtek.com

Fax : 886-2-22192387



Revision History

Version	Date	Context
1.0	2004.09.01	Golden release



TABLE OF CONTENTS

A. General Description	4
B. Physical Characteristics	5
C. Electrical Characteristics	8
D. Performance.....	9
E. Scan Map.....	10
F. Design Reference.....	10
G. Environmental.....	11
H. Readable Symbologies.....	12
I. Pin Assignment.....	13
J. Reliability.....	14
K. Packing.....	15
L. Part Number	16



A. General Description

This brand-new designed handheld CCD scanner has inherited the characteristic of “high performance with low price” from its previous series. Aside from the principle of excellence mechanical design, it also installs with many user-friendly operations; extra-large trigger enable user to access the trigger in any scanning position, detachable cable, 4-in-1 interface, and 2 years product warranty; these have added-up additional values to it.



Performance: this scanner supports reading depth up to 4 inches, best choice for retailers using POS or regular cash register system. User can program this scanner to “continuous mode” and pair up with matching hand-free stand. Scanning can be an easiest task and be completed with hand-free.

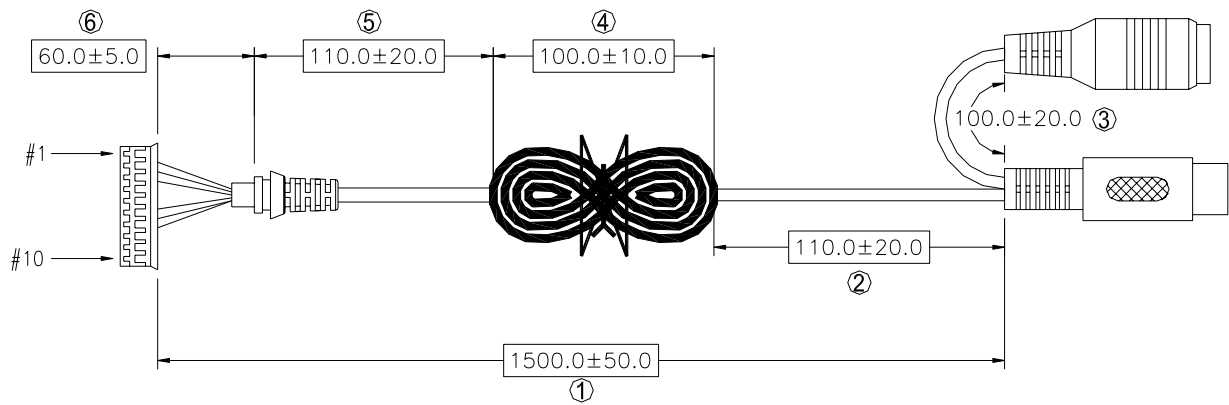
Aid in various major barcodes, hand-on software-programming function, this economical-type barcode scanner is the best choice ever.



B. Physical Characteristics

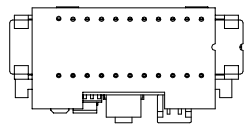
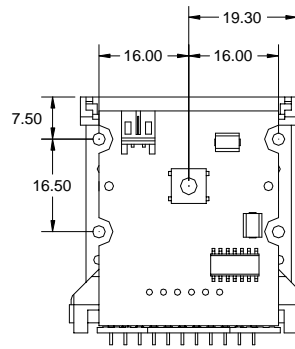
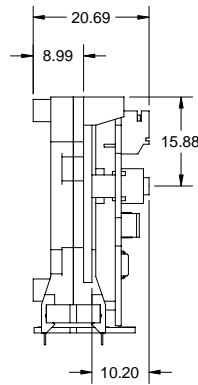
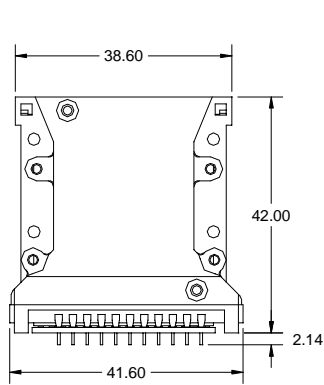
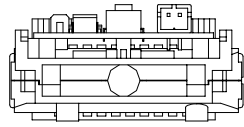
Weight	
Body weight	0.95 oz (27 gm)
Cable weight	Approx. 2.65 oz (75 gm)
Material	
Cable Length	5FT. (150cm)
Connector	JAE (or Compatible) 10P Pitch 2.0
Dimension	
Without Decoder Type	41.60 mm X 42.00 mm X 20.69 mm
With Decoder Type	41.60 mm X 45.00 mm X 27.39 mm

(a)Cable drawing _ KB Interface

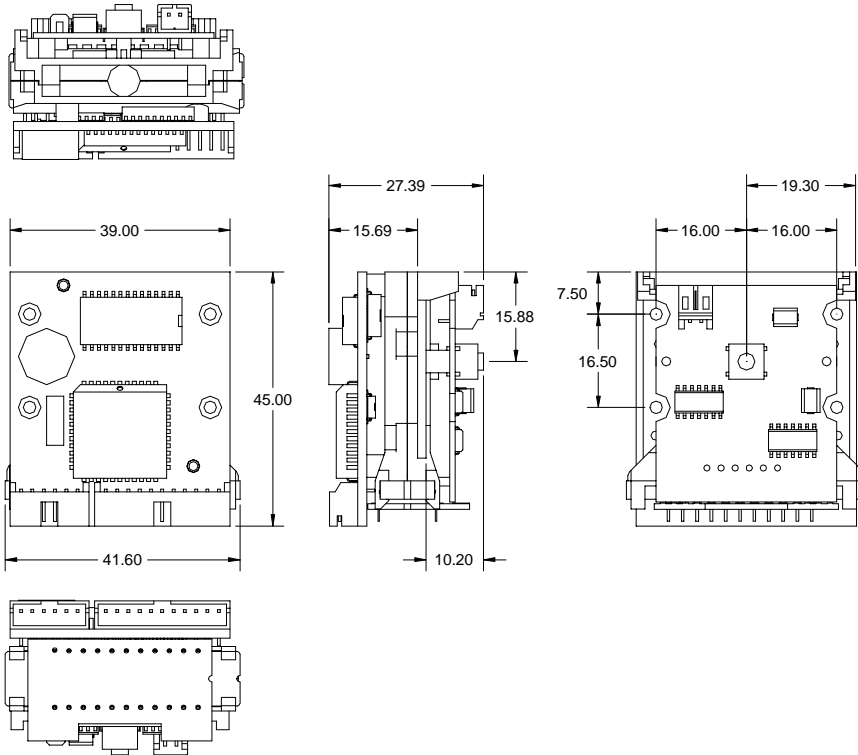


(b)Mechanical drawing

a)Without Decoder Type



b)With Decoder Type



C. Electrical Characteristics

MCR3-X0X

Interface	TTL	KB	RS232	RS232& KB
Supply Voltage	DC +5V \pm 5%			
Output Voltage (Typ.)	\pm 9V	+5V	+5V	+5V
Output Voltage (Min.)	-	0.7V	0.7V	0.7V
Current Draw				
Power On (Typ.)	- mA	- mA	- mA	- mA
Stand by (Typ.)	35 mA	15 mA	15 mA	15 mA
Operation (Typ.)	45 mA	25 mA	25 mA	25 mA

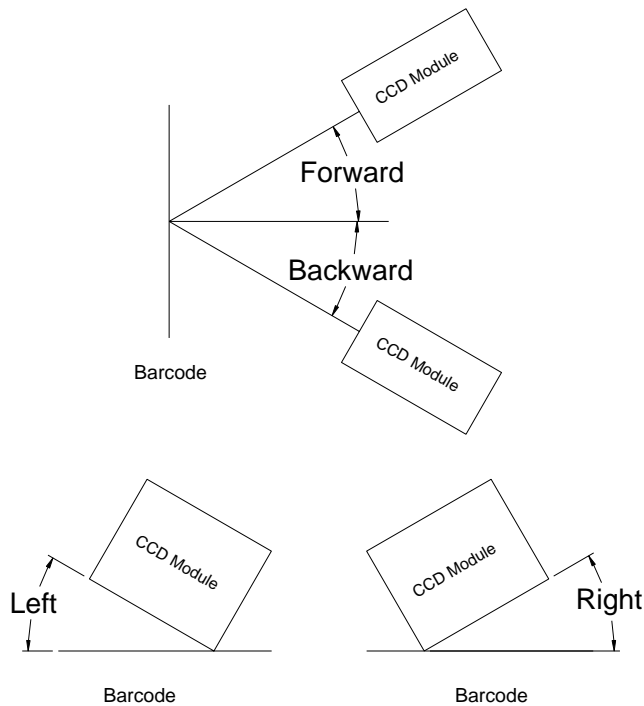
MCR3-X1X

Interface	TTL	KB	RS232	RS232& KB
Supply Voltage	DC +5V \pm 5%			
Output Voltage (Typ.)	+5V	+5V	\pm 9V	+5V
Output Voltage (Min.)	0.7V	0.7V	-	0.7V
Current Draw				
Power On (Typ.)	- mA	- mA	- mA	- mA
Stand by (Typ.)	35 mA	15 mA	15 mA	15 mA
Operation (Typ.)	45 mA	25 mA	25 mA	25 mA

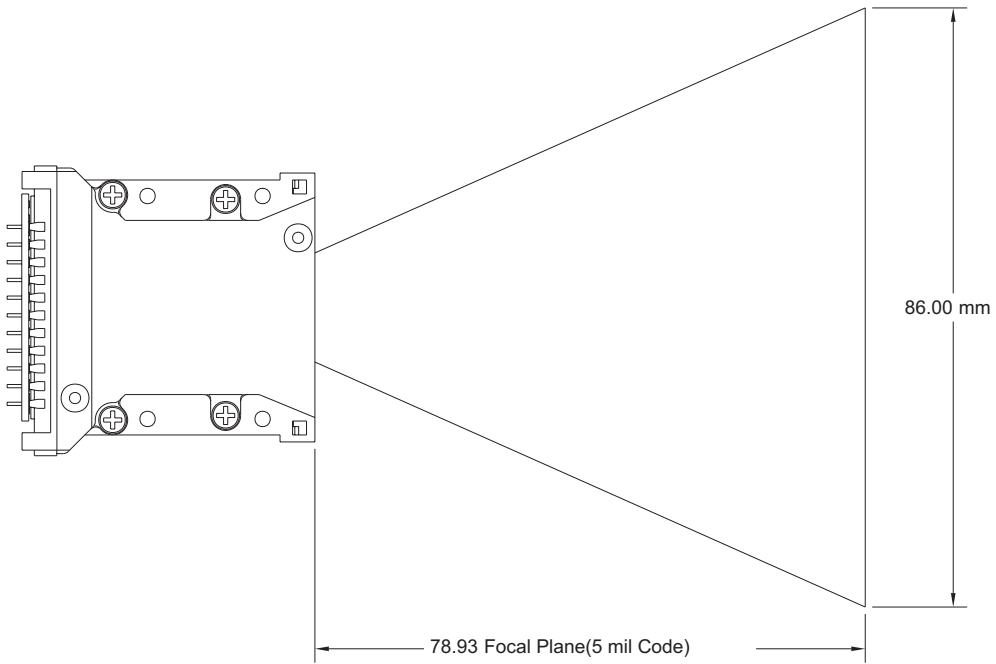


D. Performance

	MCR3-X0X	MCR3-X1X
Light Source	--	660 nm
Sensor	CCD Sensor	
Processor Type	8051 compatible	
Operating Freq.	29.4912 MHz	
Scan Rate	40/100 scans/sec	100 scans/sec
Reading Distance	50mm	
Width of Field	80mm	
Print Contrast Ratio	PCS 0.45@0.1mm	
Resolution	PCS 0.9 @0.1mm	
Reading Angle	--	
Forward & Backward	--	
Left & Right	--	
Dead Zone	±5 Degree	
Ambient Light		
Fluorescent lamp	5000 Lux Max.	
Direct sun light	3000 Lux Max.	

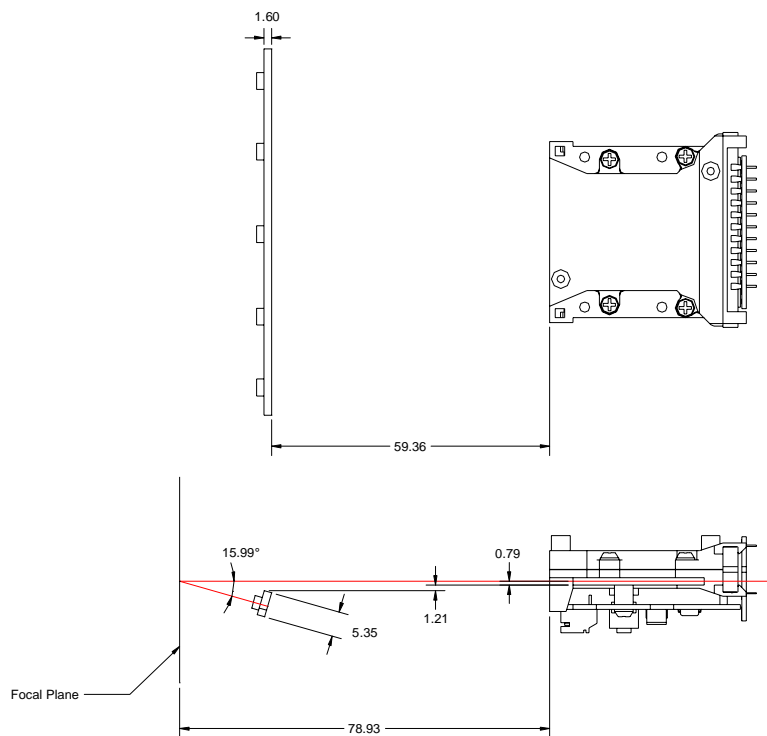


E. Scanning Map

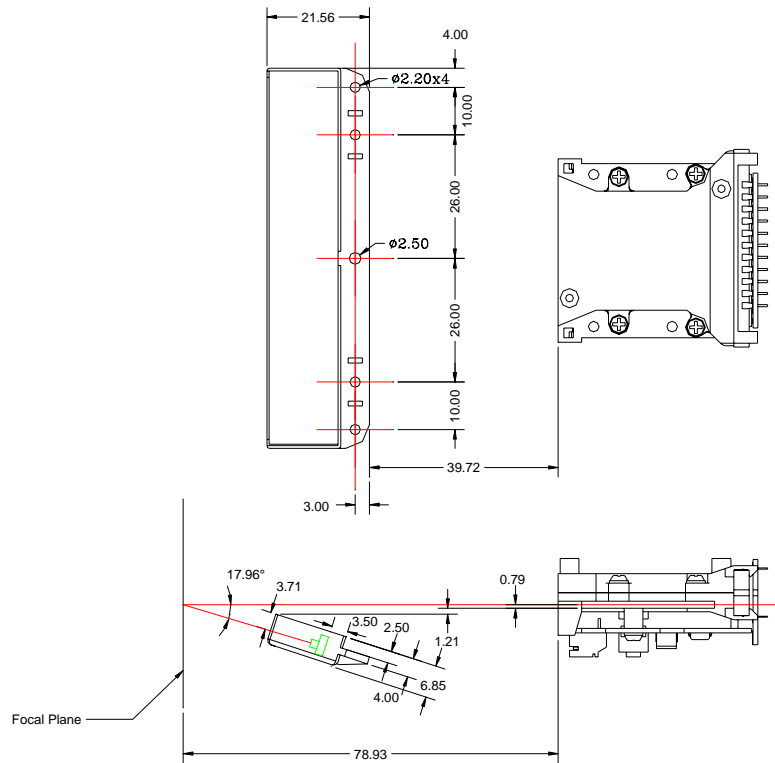


F. Design Reference

(a) LED PCB Type



(b)LED Module Type



G. Environmental

Operating Temperature	0 °C to 50 °C (32 °F to 122 °F)
Storage Temperature	-20 °C to 70 °C (-4 °F to 158 °F)
Relative Humidity	20% to 95% (Non-condensing)



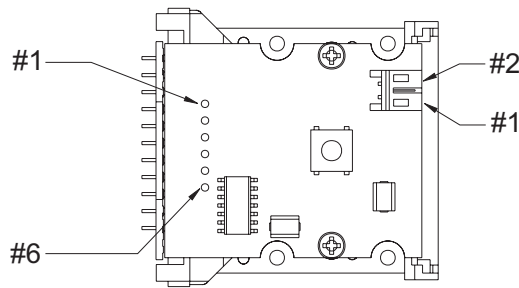
H. Readable Symbologies

	Readable	Default Enable
All UPC/EAN/JAN	V	V
EAN128 Code	V	V
Code 39	V	V
Code 39 Full ASCII	V	
Code32 / Italian Pharmacy	V	
Code 128	V	V
CODABAR/NW7	V	V
Interleave 25	V	V
Industrial 25	V	
Matrix 25	V	
MSI/PLESSEY	V	
Telepen	V	
Code 93	V	
Code 11	V	
China Postage	V	

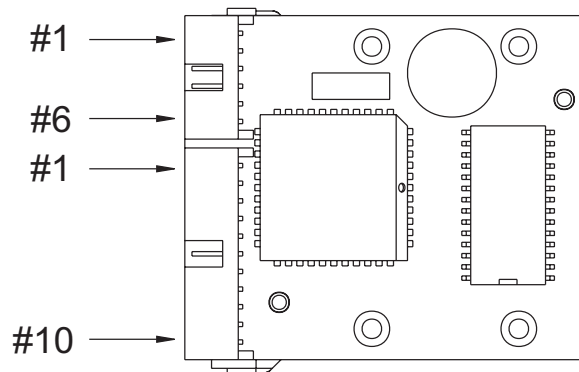


I. Pin Assignment

TTL Data Output		LED	
Type	JAE Pitch 2.0	Type	JAE Pitch 2.0
Pin No.	Function	Pin No.	Function
1	Vcc (+5V)	1	Vcc (+5V)
2	Start of Scan	2	GND
3	TTL Data		
4	Power Enable		
5	GND		
6	Trigger		



Decoder Data Output	
Type	JAE Pitch 2.0
Pin No.	Function
1	Vcc (+5V)
2	KB CLK
3	HOST CLK
4	RXD
5	TXD
6	KB DATA
7	HOST DATA
8	GND
9	RTS
10	CTS



J. Reliability

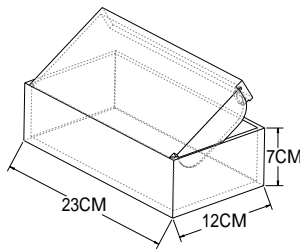
Life Time	
Light Source	40,000 hours
Trigger Switch	300,000 times
MTBF(Calculated)	22,000 hours
Thermal Shock	
High Temp.	60 °C (140 °F)
Low Temp.	-20 °C (-4 °F)
Cycle time	20 minutes for high temp. , 20 minutes for low temp.
Cycles	5 cycles
Cable Bending Test	25,000 times minimum (30 times/min @ 500g/90 °)
Mechanical Shock	40 inch (100 cm) Drop on Concrete Surface



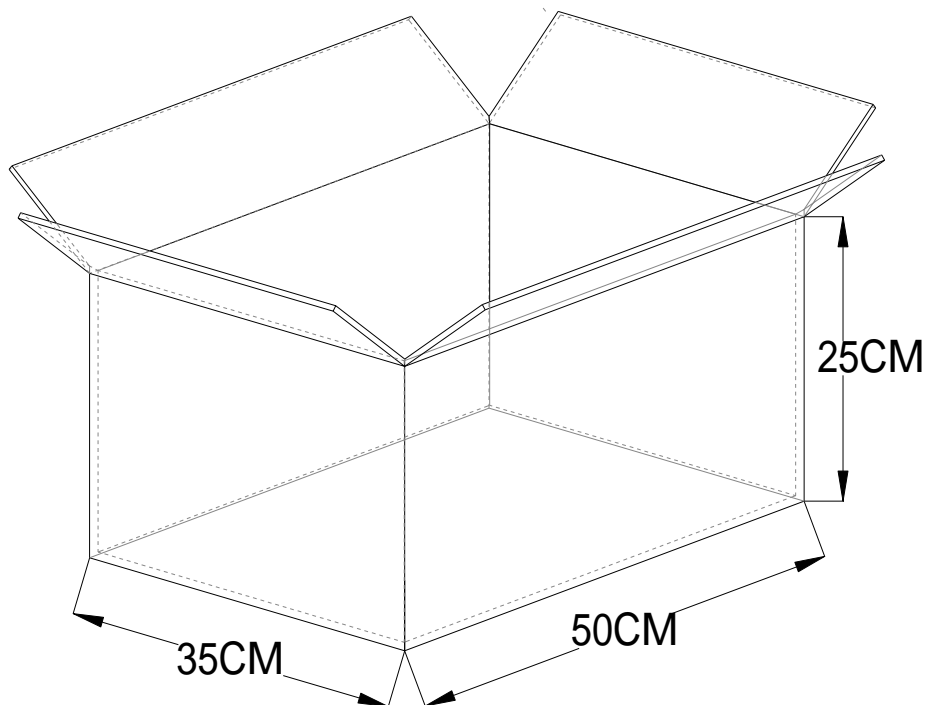
K. Packing

Dimension	
Unit	7 cm X 12cm X 23 cm
Carton	25 cm X 35 cm X 50 cm
Weight	
Unit	245 g
Carton	6 Kg (Q'ty :20 pcs)
Storage	
Temperature	-20 °C to 60 °C (-4 °F to 140 °F)
Humidity	20% to 95% (Non-condensing)

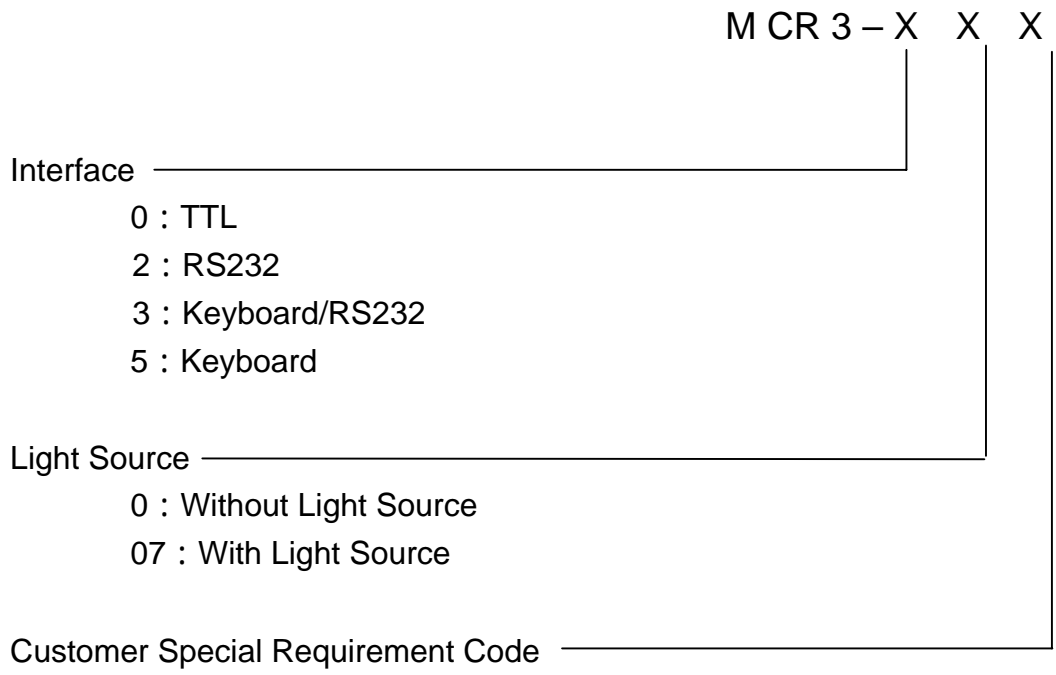
Unit :



Carton :



L. Part Number



Cable P/N :

Interface	Cable P/N:
TTL	004BR200
RS232	004BR202
KB	004BR205
	004BR205/PS2
	004BR205/SET

