

SocketModem® EDGE

Embedded Wireless Modem



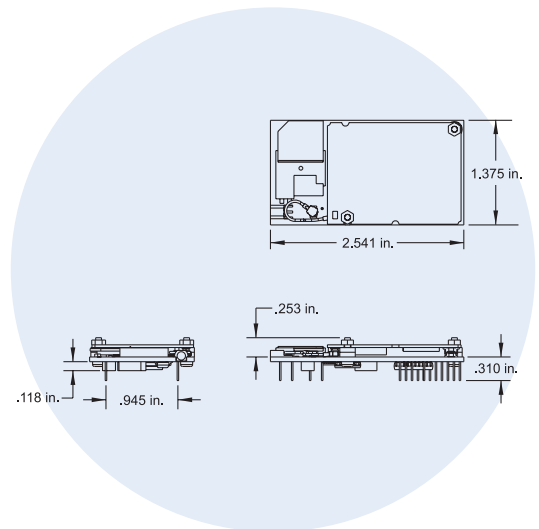
Benefits

- Up to 3X faster than GPRS modems
- Embedded Internet connectivity
- Universal socket connectivity
- Carrier approved

The SocketModem® EDGE wireless modem delivers some of the fastest cellular data speeds by utilizing EDGE technology. It allows users to connect to the Internet and send and receive data up to three times faster than possible with an ordinary GSM/GPRS network making it ideal for highly data-intensive applications. Based on industry-standard open interfaces, the SocketModem EDGE wireless modem is equipped with quad-band GSM, which means it can be used worldwide on all existing GSM networks. In addition, it utilizes Multi-Tech's universal socket design.

Features

- EDGE (E-GPRS) Class 10
- GPRS Class 12
- Quad-band GSM 850/900/1800/1900 MHz
- Packet data rates up to 240K bps (coding scheme, MCS-9, LLC layer, 4 time slots)
- Embedded TCP/IP stack supports TCP, UDP, DNS, FTP, SMTP, POP3, HTTP
- Circuit-switched data up to 9600 bps transparent and non-transparent
- Supports Short Message Service such as text and PDU mode, point-to-point (MT/MO) and cell broadcast
- SMA antenna connector
- Serial interface supporting DTE speeds to 460K bps
- AT command compatible
- Carrier approved
- Voice features include Half rate (HR), Full rate (FR), Enhanced full rate (EFR), Adaptive multi rate (AMR), as well as hands free echo cancellation, and noise reduction
- Two-year warranty



Preliminary

Highlights

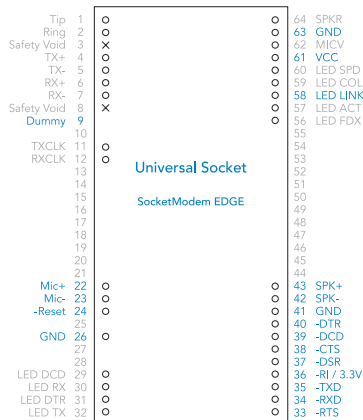
Applications. With packet data speeds up to three times faster than ordinary GPRS modems, the SocketModem EDGE wireless modem is targeted at highly data-intensive applications such as remote video surveillance and other multimedia applications where you are sending digital images, web pages and photographs.

Integration Reduces Space, Power and Cost. The SocketModem EDGE wireless modem integrates the controller, RF transceiver, and antenna interface in one module. This integration requires low power, low real estate and provides an overall reduction in costs.

Reduces Development Time. The SocketModem EDGE wireless modem enhances your product while you focus on developing its core features. It actually provides faster time-to-market because it relieves the burden and expense of obtaining PTCRB and RF approvals.

Internet-enabled. The SocketModem EDGE wireless modem includes an embedded TCP/IP protocol stack to bring Internet connectivity to any device without making changes to its hardware design. Using the Internet protocols and the wireless connection to an IP network, it sends and receives data over the Internet.

SocketModem EDGE Pin-Out. The SocketModem EDGE wireless modem interfaces easily with existing products through a standard serial communication channel. The serial DTE channel is capable of transfer speeds to 460K bps and can be interfaced directly to a UART or microcontroller. The complete on-board RF transceiver interfaces with an antenna for direct connection to wireless SMS, circuit-switched dial-up, or packet data networks. It also includes an onboard LED to display network status.



Note: Populated pins are highlighted.

Universal Socket Connectivity. Multi-Tech's Universal Socket flexible comm-port architecture provides analog dial-up, ISDN, wireless, or Ethernet socket connectivity with interchangeable modules. This allows you to utilize one system design and populate it with your communication module of choice. In addition, you are assured a seamless migration to future technologies.

Developers Kit. The Developer's Kit allows you to plug in the module and use it for testing, programming and evaluation. The kit includes one development board with RS-232 DB-25 connector, universal power supply, antenna and RS-232 cable.

Specifications

Packet Data Features

EDGE: E-GPRS Class 10, Modulation & coding scheme MCS 1-9, Mobile station Class B

GPRS: GPRS Class 12, full PBCCH support, coding scheme 1 - 4, Mobile station Class B

Circuit Switched Data/Fax Features

Asynchronous, transparent & non-transparent up to 9600 bps, Group 3 fax, Class 1

SMS Features

Text & PDU, Point-to-Point, cell broadcast

Connectors

Antenna: MMCX

SIM: Standard 3V SIM receptacle

IP Protocols Supported

TCP, UDP, DNS, FTP, SMTP, POP3, HTTP

Power Requirements

5VDC; 400mA typical

Physical Description

2.55" L x 1.4" W x 0.5" H; 1 oz.
(6.48 cm x 3.5 cm x .87 cm; 20 g)

Operating Environment

-30° to +65° C

Certifications:

CE Mark

EMC: FCC Part 2, 15, 22, 24, EN 55022, EN 55024

Safety: cUL, EN 60950, UL 60950

Network: PTCRB

Ordering Information

Product	Description	Region
MTSMC-E	Quad-band EDGE Class 10	Global

Made in Mounds View, MN, U.S.A.

Trademarks / Registered Trademarks: SocketModem, Multi-Tech, and the Multi-Tech logo: Multi-Tech Systems, Inc. / All other products and technologies are the trademarks or registered trademarks of their respective holders.

World Headquarters
Tel: (763) 785-3500
(800) 328-9717
www.multitech.com

EMEA Headquarters
Multi-Tech Systems (EMEA)
United Kingdom
Tel: +(44) 118-959 7774

Multi-Tech Systems (EMEA)
France
Tel: +(33) 1 64 61 09 81

