

**POWER-OVER-ETHERNET EXTRACTION MODULE**

**Product Description**

The Ag9xxxB-S series of modules are designed to extract power from a conventional twisted pair Category 5 Ethernet cable, conforming to the IEEE 802.3af Power-over-Ethernet (PoE) standard.

IEEE 802.3af allows for two power options for Category 5 cables and the Ag9xxxB-S series have two pairs of power inputs pins: - VA1&2 and VB1&2 to accommodate this, see Figure 1.

The Ag9xxxB-S also provides the PoE compatibility signature and power classification required by the Power Sourcing Equipment (PSE) before applying power to the port.

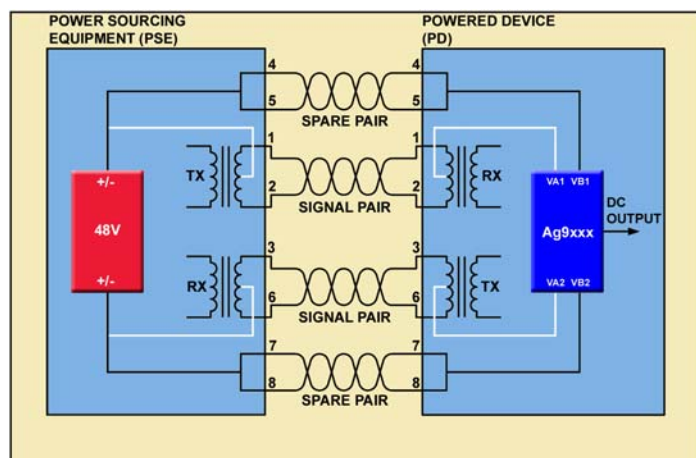


Figure 1: Block Diagram

**Order Codes**

Part No.	Voltage	Power
Ag9120B-S	12.0V	6W
Ag9050B-S	5.0V	6W
Ag9033B-S	3.3V	6W

The Ag9xxxB-S series is available in a Single-in-Line (SIL) 51mm(L) x 14mm(H) x 18mm(W) package.

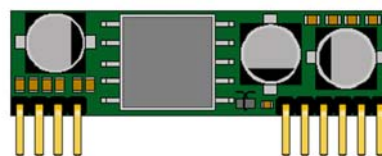


Figure 2: SIL Package

**Applications**

- VoIP Phones
- WLAN Access Points
- Web Cameras
- Security Networks
- Door Entry Phones

**Contact Information**