

***Silver***  
**TELECOM**

Jänner 24, 2003 Michael Froemel

## Silver Telecom History

- ✦ Formed in 1997
- ✦ Founded by senior management of Mitel Semiconductor
- ✦ Located in South Wales ( UK)
- ✦ Over 100 years telecom engineering experience
- ✦ Financially secure, turning a profit every year, with sales growth of 200% pa

Jänner 24, 2003 Michael Froemel

## Innovative product range

- Subscriber Line and Central Office Interface products (SLICs and COICs)
- Traditional products such as CO and PBX devices
- Leading edge products for VoIP, VoDSL and computer telephony
- Fully integrated, easy-to-use solutions

Jänner 24, 2003 Michael Froemel

## Cost competitive solutions

- Multi-channel devices for higher density linecards
- Highly integrated devices require few external components
- Latest SLICs include fully integrated dc-dc converters
- COICs include supplementary barriers

Jänner 24, 2003 Michael Froemel

# Manufacturing

- State-of-the-art factories, providing:
  - Low cost production
  - Short lead times
  - Highest quality, ISO 9001, BABT, UL and CSA approval
  - Specialist telecom manufacturing expertise
  - High volume capability

Jänner 24, 2003 Michael Froemel

## Silver Telecom SLICs

- Low cost SLICs
  - Ag1110, Ag1410, Ag1415
- Highly featured SLICs
  - Ag1400, Ag1405
- Ringing SLICs
  - Ag1160, Ag1170, Ag1460

Jänner 24, 2003 Michael Froemel

## Silver Telecom COICs

- ✦ COICs for grounded systems
  - Ag2100, Ag2200, Ag2400
  
- ✦ COICs for un-grounded systems, or systems with poor earth
  - Ag2110, Ag2210, Ag2410

Jänner 24, 2003 Michael Froemel

# Ag1160 and Ag1460

5V Ringing SLICs with Integral DC-DC Converter

---

May 2001, Rev 1.0



Jänner 24, 2003 Michael Froemel



## Ag1160, Ag1460 Applications

- VoIP, Internet Telephony
- VoDSL, DSL modems
- ISDN Terminal Adapters
- Computer telephony (CTI) PC cards
- SOHO, VPN
- Cable
- Wireless Local Loop

Jänner 24, 2003 Michael Froemel

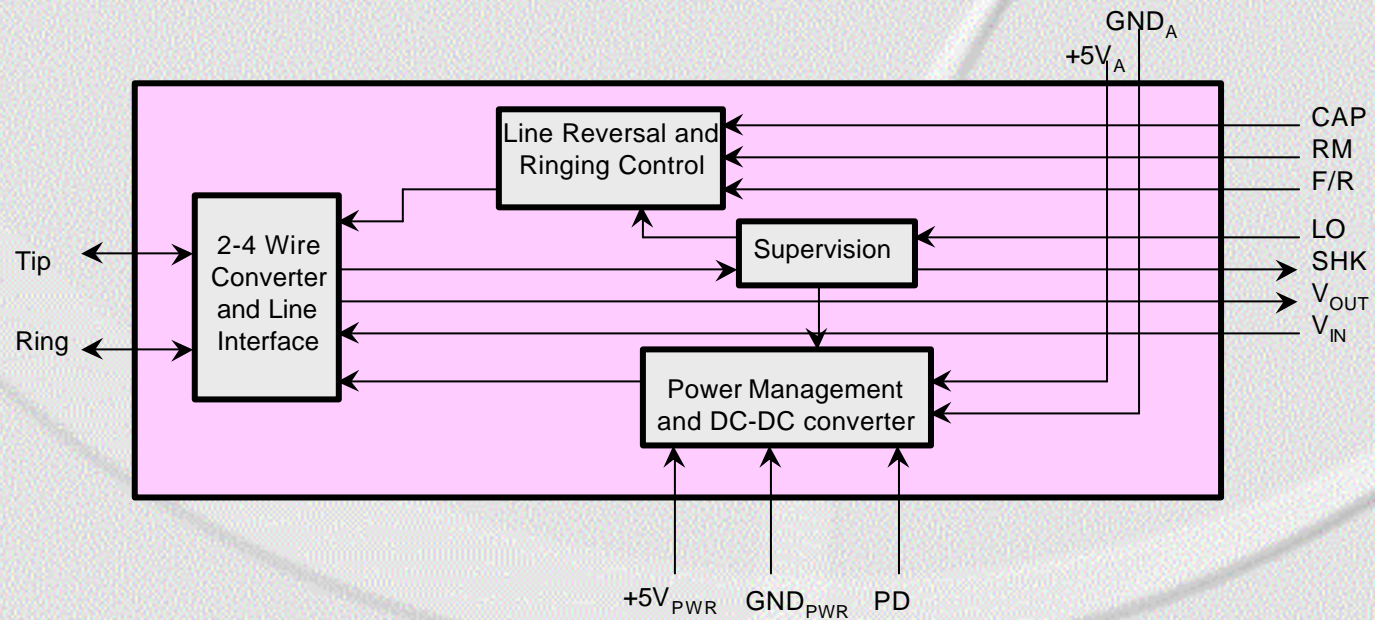
## Ag1160, Ag1460 Features

---

- Integral ringing generator capable of driving up to 3km loop
- Can drive up to 3 REN
- Available as DIL (Ag1160) or SIMM (Ag1460)
- Integral DC-DC converter - no need for external ringing or battery voltages
- Tip-Ring reversal and On-hook Transmission for Caller Line ID
- Fixed or fully programmable impedance

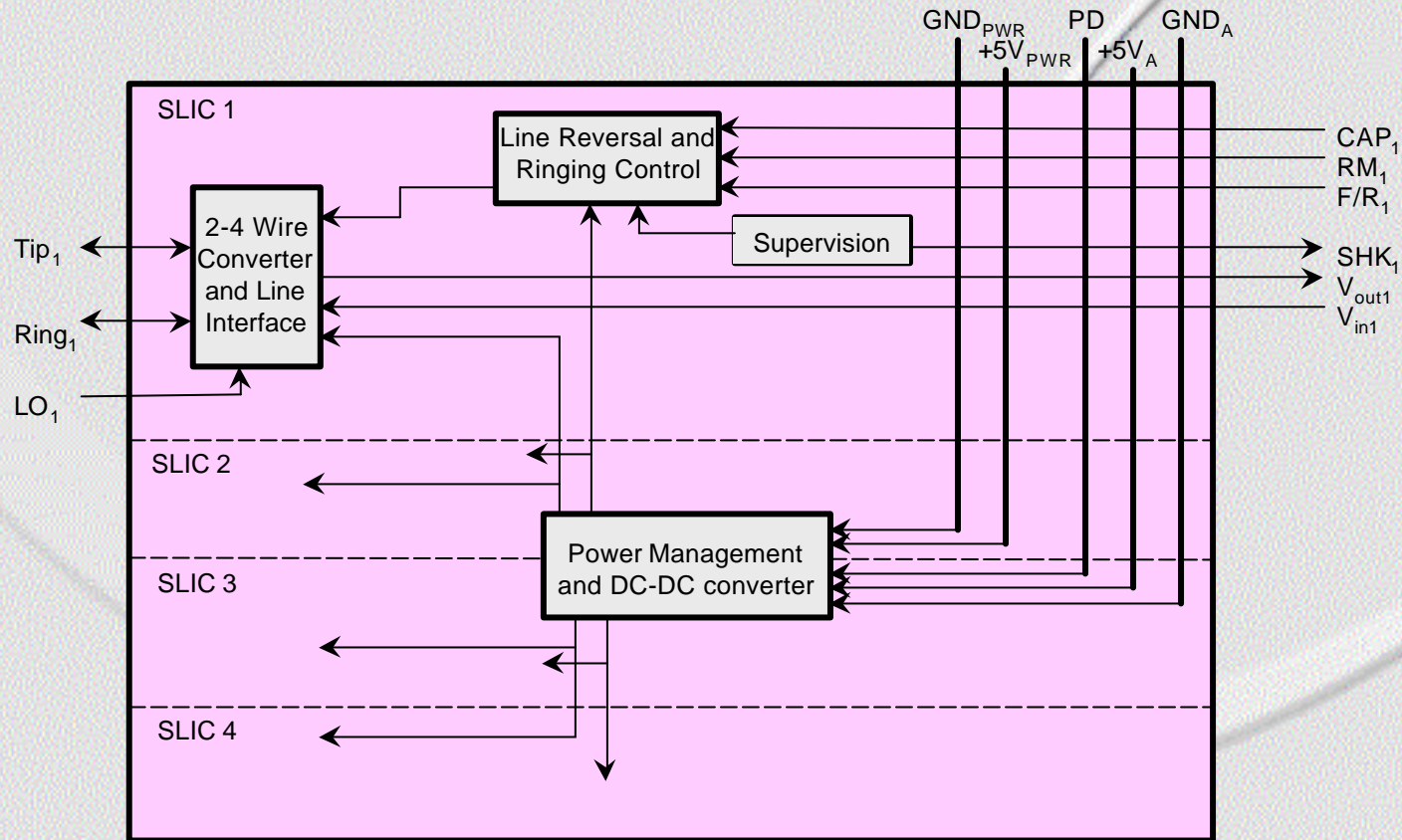
Jänner 24, 2003 Michael Froemel

# Ag1160 Block Diagram



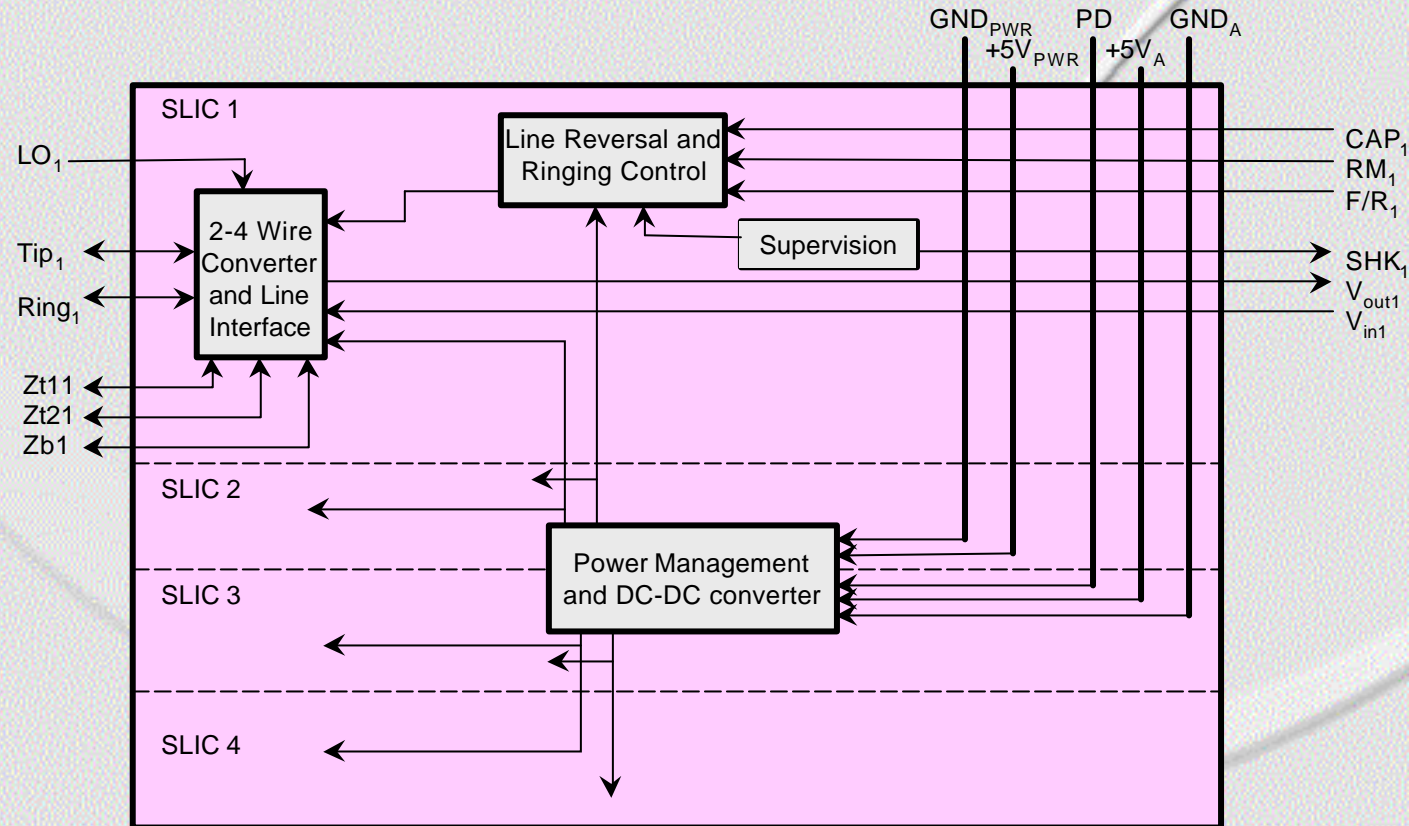
Jänner 24, 2003 Michael Froemel

# Ag1460 Block Diagram



Jänner 24, 2003 Michael Froemel

# Ag1465 Block Diagram



Jänner 24, 2003 Michael Froemel

## Ag1160, Ag1460 Compliance

These SLICs can be configured for any approvals, eg:

- ITU-T K20
- FCC Pt68
- CTR21
- CCITT K21
- EIA/TIA 464
- and many others!

# Host Equipment Advantages

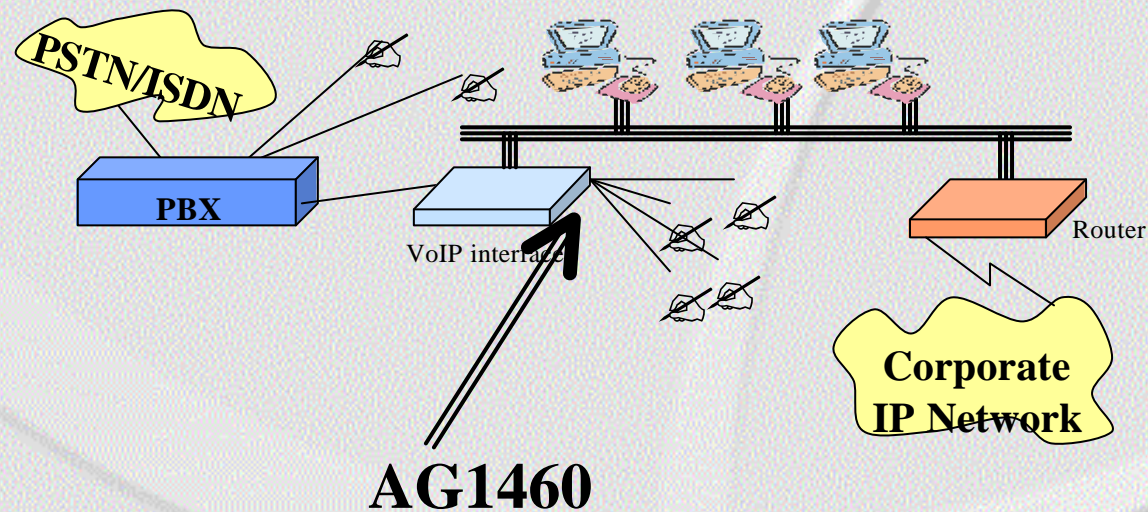
---

- Low cost solution
- Silver Telecom “Design-in” assistance for quick time-to-market
- Low board usage - for smaller solution
- Low component count
  - easier logistics
  - easier manufacture
  - easier test
  - complete solution

Jänner 24, 2003 Michael Froemel

# Ag1160, Ag1460 Applications

- Business VoIP

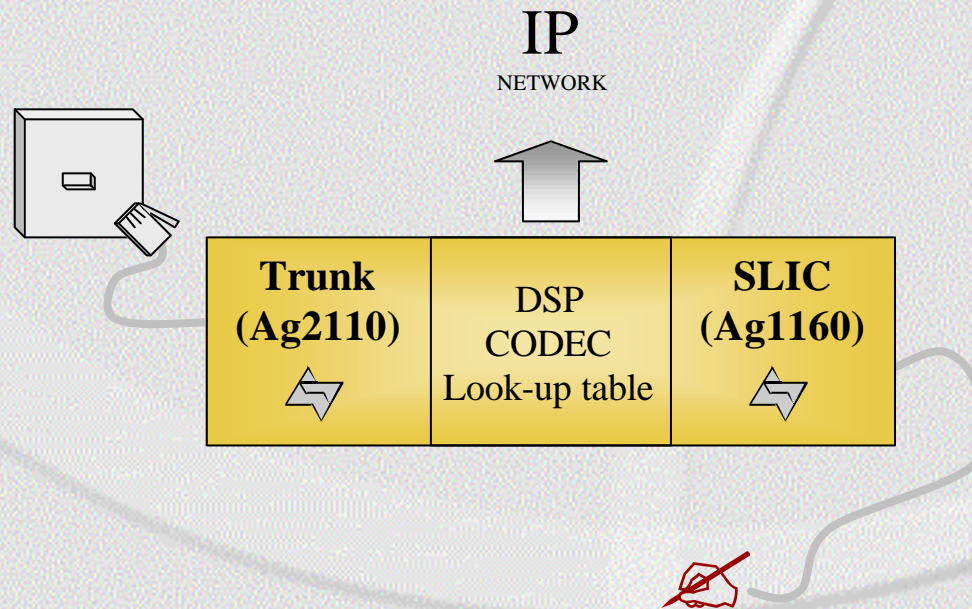


Jänner 24, 2003 Michael Froemel



# Ag1160, Ag1460 Applications

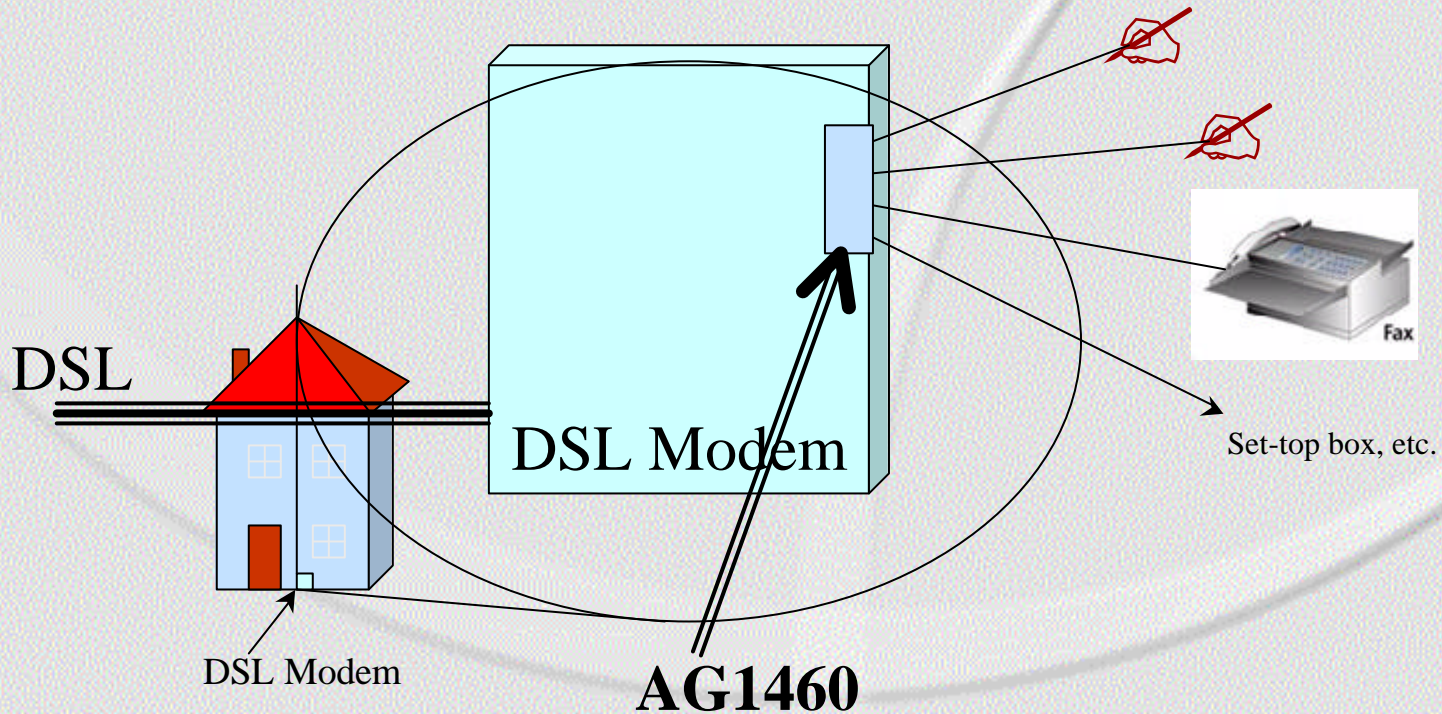
- Domestic VoIP, Internet Telephony



Jänner 24, 2003 Michael Froemel

# Ag1160, Ag1460 Applications

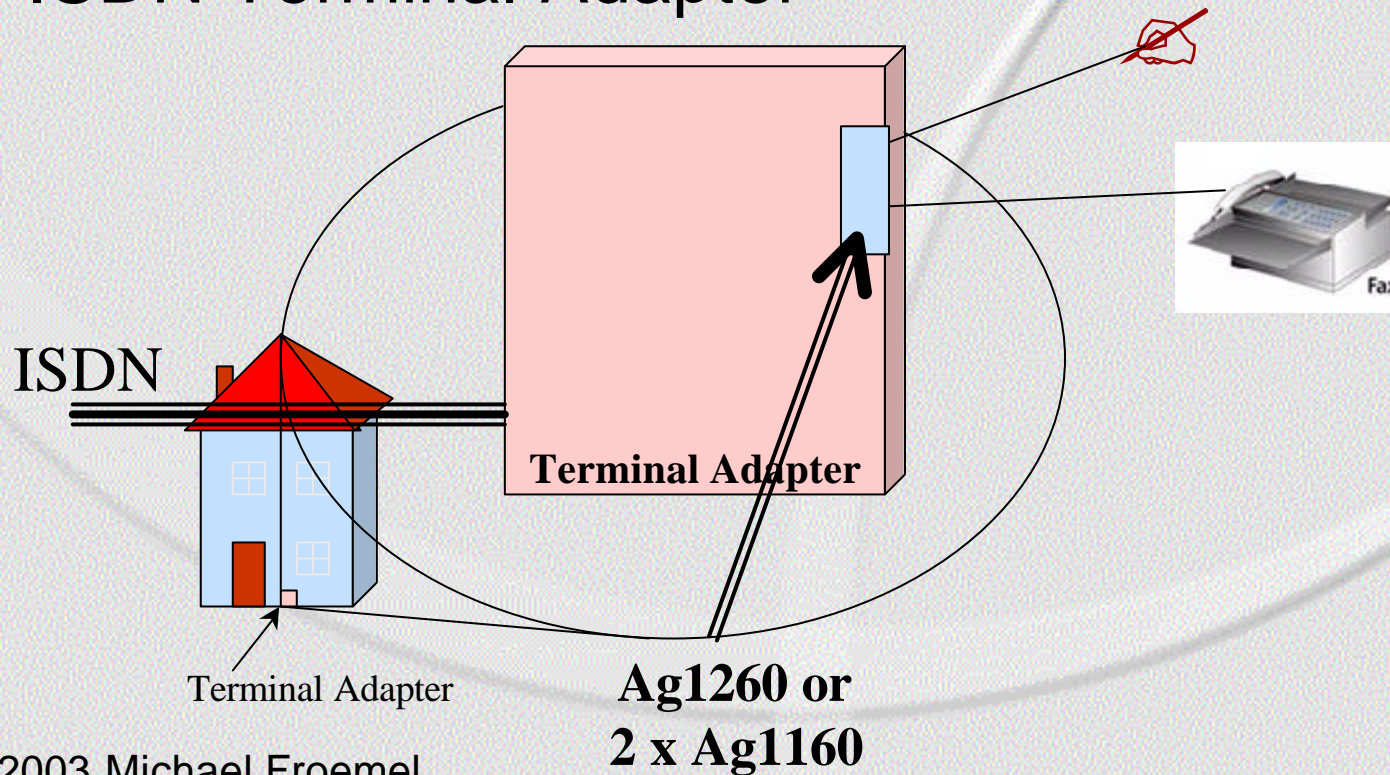
- VoDSL, DSL modems



Jänner 24, 2003 Michael Froemel

# Ag1160, Ag1460 Applications

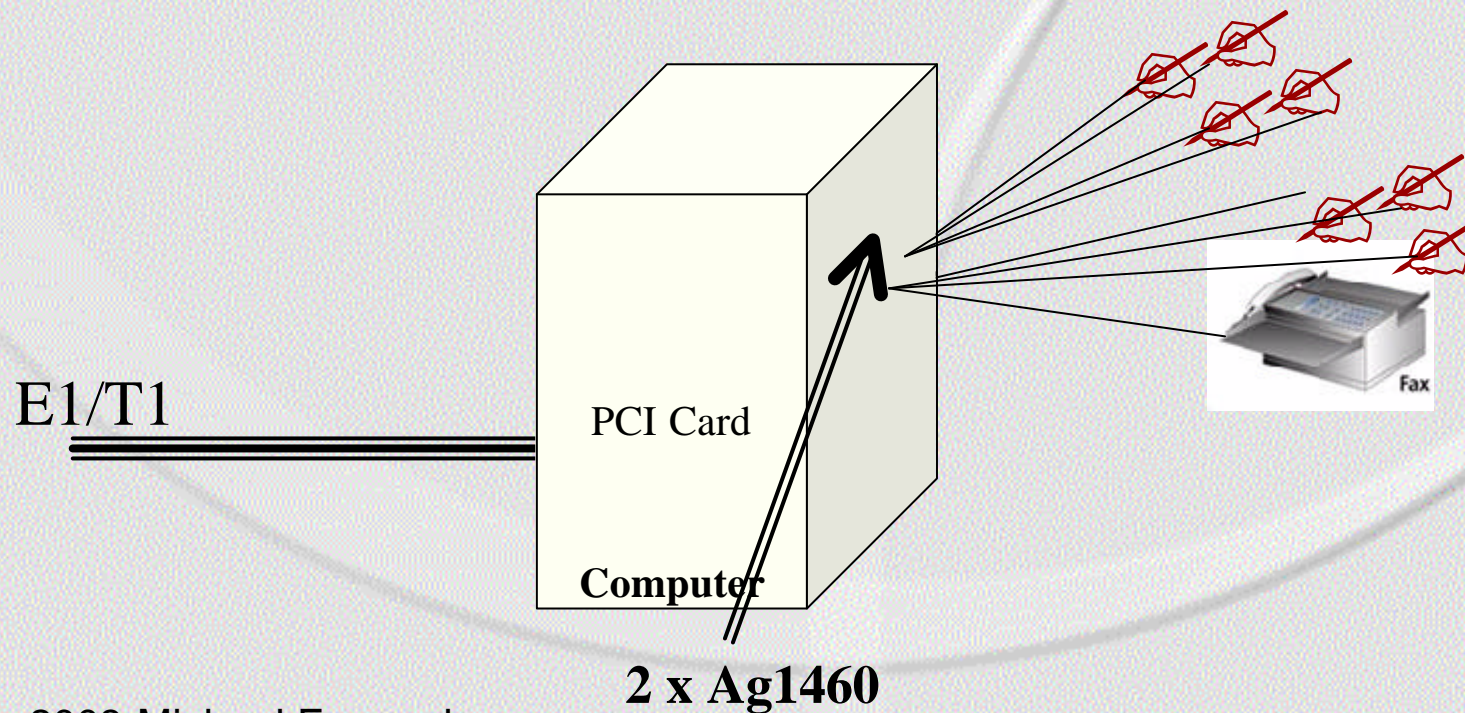
- ISDN Terminal Adapter



Jänner 24, 2003 Michael Froemel

# Ag1160, Ag1460 Applications

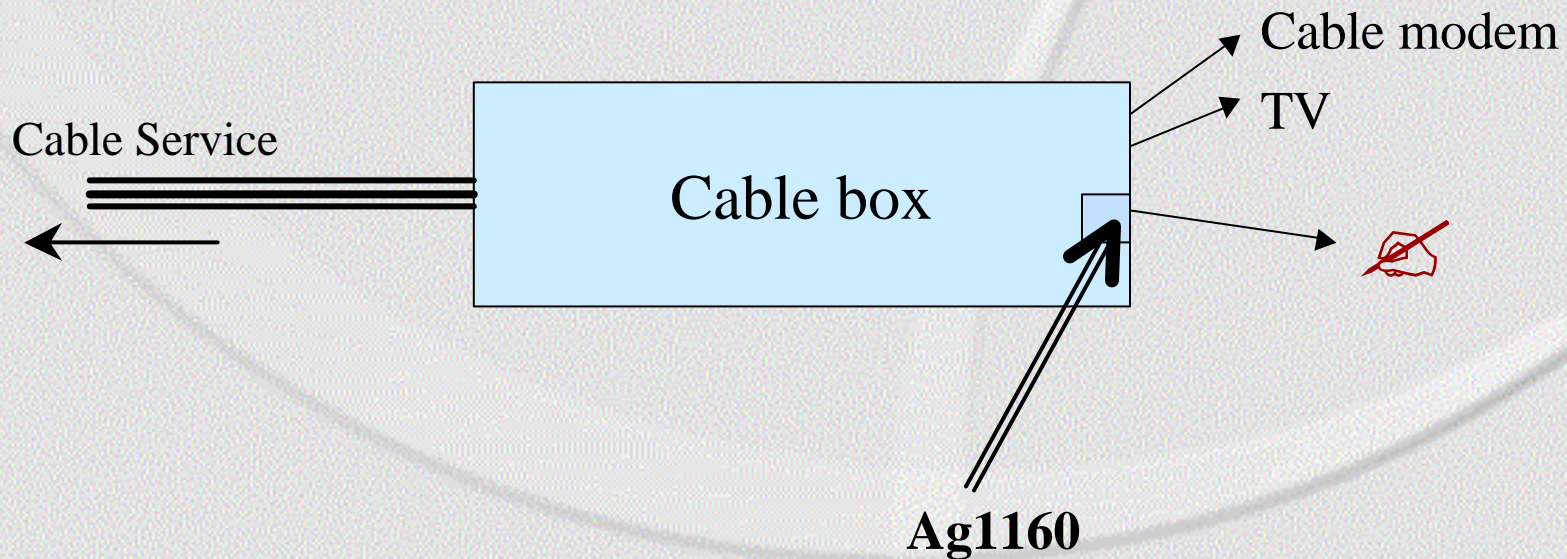
- Computer telephony (CTI) PC cards



Jänner 24, 2003 Michael Froemel

# Ag1160, Ag1460 Applications

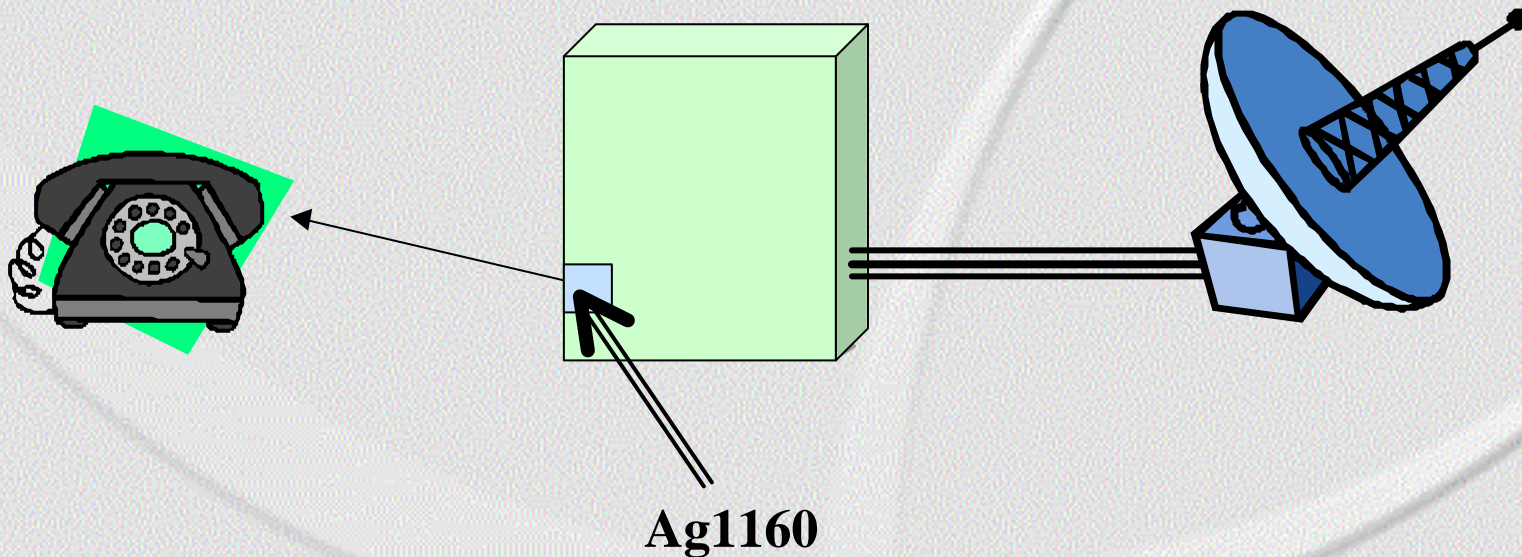
- Cable



Jänner 24, 2003 Michael Froemel

# Ag1160, Ag1460 Applications

- Wireless Local Loop



Jänner 24, 2003 Michael Froemel

# Product Status

---

- Ag1160 - released and shipping in volume
  - datasheet available
  - reference designs and apps drawings now
  - demonstration system
  
- Ag 1170 - Engineering Samples around Christmas
  - preliminary datasheet available
  - order your samples
  
- Ag1460 - released and shipping in volume
  - datasheet available
  - reference designs and apps drawings now
  - demonstration system

Jänner 24, 2003 Michael Froemel