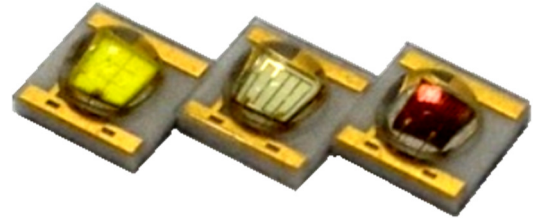


ALPS series LED

Product Datasheet



Description

The Plessey ALPS series is a full colour range of high power, high efficacy LED's in lensed 3535 packages. The domed lens and low thermal resistance packaging ensure high optical output, cool running and optimum reliability. Three lens options are available for each colour type. The ALPS series LED's are supplied in quantities of 1k per reel.

Features

- Industry standard 3535 footprint
- High optical output
- Full colour range
- High reliability ceramic packaging
- Domed silicone lens
- 55-135deg lens options

Applications

- General Lighting
- Residential Lighting
- Commercial Lighting
- Street Lighting
- Torches
- Signage
- Displays

| Part No. | Colour | CCT / λ_D / λ_P^* | | Output @ 350mA | V_F | | CRI |
|-------------|---------------|-----------------------------------|--------|-------------------|-------|-----|--------|
| | | min | max | | min | max | |
| PLW3535Ax-C | Cool White | 4750K | 10000K | 139 lm | 2.8 | 3.6 | typ 70 |
| PLW3535Ax-N | Neutral White | 3700K | 4750K | 122 lm | 2.8 | 3.6 | typ 75 |
| PLW3535Ax-W | Warm White | 2600K | 3700K | 114 lm | 2.8 | 3.6 | min 80 |
| PLR3535Ax-S | Super Red | 650nm | 670nm | 280mW | 2.0 | 3.0 | |
| PLR3535Ax | Red | 620nm | 635nm | 56.8 lm | 2.0 | 3.0 | |
| PLA3535Ax | Amber | 580nm | 600nm | 56.8 lm | 2.0 | 3.0 | |
| PLG3535Ax | Green | 520nm | 535nm | 87.4 lm | 2.8 | 3.6 | |
| PLC3535Ax | Cyan | 500nm | 520nm | 80.6 lm | 2.8 | 3.6 | |
| PLB3535Ax-R | Blue | 455nm | 470nm | 30.6 lm | 2.8 | 3.6 | |
| PLB3535Ax-L | Royal Blue | 440nm* | 460nm* | 520mW | 2.8 | 3.6 | |

Absolute Maximum Ratings – White, Blue, Royal Blue, Green, Cyan

$T_j = +25^{\circ}\text{C}$ unless otherwise stated

| Parameter | Symbol | Min | Max | Unit |
|----------------------|-----------|-----|------|--------------------|
| DC Forward Current | I_F | - | 1000 | mA |
| Reverse Voltage | V_R | - | 5 | V |
| Storage Temperature | T_{stg} | -40 | 125 | $^{\circ}\text{C}$ |
| Junction Temperature | T_J | -40 | 150 | $^{\circ}\text{C}$ |

Absolute Maximum Ratings – Amber, Red, Super Red

$T_j = +25^{\circ}\text{C}$ unless otherwise stated

| Parameter | Symbol | Min | Max | Unit |
|----------------------|-----------|-----|-----|--------------------|
| DC Forward Current | I_F | - | 700 | mA |
| Reverse Voltage | V_R | - | 5 | V |
| Storage Temperature | T_{stg} | -40 | 125 | $^{\circ}\text{C}$ |
| Junction Temperature | T_J | -40 | 125 | $^{\circ}\text{C}$ |

Primary Electro-optical Characteristics

$I_F = 350\text{mA}$ & $T_J = 25^{\circ}\text{C}$ unless otherwise stated

| Part No. | CCT / λ_D / λ_P^* | | Output @ 350mA | | @700mA | V_F | |
|-------------|-----------------------------------|--------|----------------|---------|--------|-------|-----|
| | min | max | min | max | typ | min | max |
| PLW3535Ax-C | 4750K | 10000K | 107 lm | 156 lm | 250 lm | 2.8 | 3.6 |
| PLW3535Ax-N | 3700K | 4750K | 100 lm | 148 lm | 235 lm | 2.8 | 3.6 |
| PLW3535Ax-W | 2600K | 3700K | 87.4 lm | 122 lm | 190 lm | 2.8 | 3.6 |
| PLR3535Ax-S | 650nm | 670nm | 240mW | 360mW | 600mW | 2.0 | 3.0 |
| PLR3535Ax | 620nm | 635nm | 45.7 lm | 67.2 lm | 114 lm | 2.0 | 3.0 |
| PLA3535Ax | 580nm | 600nm | 45.7 lm | 67.2 lm | 114 lm | 2.0 | 3.0 |
| PLG3535Ax | 520nm | 535nm | 67.2 lm | 93.9 lm | 135 lm | 2.8 | 3.6 |
| PLC3535Ax | 500nm | 520nm | 62 lm | 87.4 lm | 125 lm | 2.8 | 3.6 |
| PLB3535Ax-R | 460nm | 475nm | 18 lm | 35.2 lm | 50 lm | 2.8 | 3.6 |
| PLB3535Ax-L | 445nm* | 460nm* | 400mW | 650mW | 1020mW | 2.8 | 3.6 |

Further Electro-Optical Characteristics

$I_F = 350\text{mA}$ & $T_J = 25^\circ\text{C}$ unless otherwise stated

| Parameter | Symbol | Colours | Value | Unit |
|--|---------------------------|---|----------|-------|
| V _F Temperature Coefficient | $\Delta V_F / \Delta T_J$ | White, Green, Cyan, Blue, Royal Blue | -2 to -4 | mV/°C |
| | | Super Red, Red, Amber | -1 to -2 | mV/°C |
| Thermal Resistance | R _{th j-mb} | White, Green, Cyan, Blue, Royal Blue | 8 | K/W |
| | | Super Red, Red, Amber | 10 | K/W |

Lens Options

Wide Angle version 125 – 135 deg

Mid Angle version 85 – 90 deg

Narrow Angle version 55 – 65 deg

| Name | 2 $\Theta_{1/2}$ (deg) | Name | 2 $\Theta_{1/2}$ (deg) | Name | 2 $\Theta_{1/2}$ (deg) |
|-------------|---------------------------|-------------|---------------------------|-------------|---------------------------|
| PLW3535AA-C | 135 | PLW3535AB-C | 90 | PLW3535AC-C | 65 |
| PLW3535AA-N | 130 | PLW3535AB-N | 90 | PLW3535AC-N | 65 |
| PLW3535AA-W | 130 | PLW3535AB-W | 90 | PLW3535AC-W | 65 |
| PLR3535AA-S | 125 | PLR3535AB-S | 85 | PLR3535AC-S | 55 |
| PLR3535AA | 125 | PLR3535AB | 85 | PLR3535AC | 55 |
| PLA3535AA | 125 | PLA3535AB | 85 | PLA3535AC | 55 |
| PLG3535AA | 125 | PLG3535AB | 90 | PLG3535AC | 65 |
| PLC3535AA | 125 | PLC3535AB | 90 | PLC3535AC | 65 |
| PLB3535AA-L | 125 | PLB3535AB-L | 90 | PLB3535AC-L | 65 |
| PLB3535AA-R | 125 | PLB3535AB-R | 90 | PLB3535AC-R | 65 |

Recommended Operating Conditions

In typical applications, for optimum LED performance

| Parameter | Symbol | Minimum | Maximum | Unit |
|-------------------------------|------------------|---------|---------|------|
| Operating Ambient Temperature | T _{opr} | -40 | +85 | °C |

Ordering Information

| Name | Luminous Intensity Bins | Wide Angle Order Code | Mid Angle Order Code | Narrow Angle Order Code |
|-------------|-------------------------|-----------------------|----------------------|-------------------------|
| PLW3535Ax-C | 2C to 7C | PLW3535AAC000 | PLW3535ABC000 | PLW3535ACC000 |
| PLW3535Ax-N | 1C to 6C | PLW3535AAN000 | PLW3535ABN000 | PLW3535ACN000 |
| PLW3535Ax-W | 8B to 3C | PLW3535AAW000 | PLW3535ABW000 | PLW3535ACW000 |
| PLR3535Ax-S | 1M to 3M | PLR3535AAS000 | PLR3535ABS000 | PLR3535ACS000 |
| PLR3535Ax | 1B to 4B | PLR3535AA000 | PLR3535AB000 | PLR3535AC000 |
| PLA3535Ax | 1B to 4B | PLA3535AA000 | PLA3535AB000 | PLA3535AC000 |
| PLG3535Ax | 5B to 8B | PLG3535AA000 | PLG3535AB000 | PLG3535AC000 |
| PLC3535Ax | 4B to 7B | PLC3535AA000 | PLC3535AB000 | PLC3535AC000 |
| PLB3535Ax-R | 1A to 3A | PLB3535AAR000 | PLB3535ABR000 | PLB3535ACR000 |
| PLB3535Ax-L | 5M to 1N | PLB3535AAL000 | PLB3535ABL000 | PLB3535ACL000 |

Intensity Bin Groups

$I_F = 350\text{mA}$, $T_{\text{amb}} = +25^\circ\text{C}$, unless otherwise stated

| Group ^[1] | Luminous Flux Φ_v (lm) | | Group ^[1] | Radiant Power (mW) | |
|----------------------|--------------------------------|------|----------------------|--------------------|-----|
| | min | max | | min | max |
| 1A | 18.0 | 23.5 | 1M | 240 | 280 |
| 2A | 23.5 | 30.6 | 2M | 280 | 320 |
| 3A | 30.6 | 35.2 | 3M | 320 | 360 |
| 1B | 45.7 | 51.7 | 4M | 360 | 400 |
| 2B | 51.7 | 56.8 | 5M | 400 | 440 |
| 3B | 56.8 | 62.0 | 6M | 440 | 480 |
| 4B | 62.0 | 67.2 | 7M | 480 | 520 |
| 5B | 67.2 | 73.9 | 8M | 520 | 560 |
| 6B | 73.9 | 80.6 | 9M | 560 | 600 |
| 7B | 80.6 | 87.4 | 1N | 600 | 650 |
| 8B | 87.4 | 93.9 | | | |
| 9B | 93.9 | 100 | | | |
| 1C | 100 | 107 | | | |
| 2C | 107 | 114 | | | |
| 3C | 114 | 122 | | | |
| 4C | 122 | 130 | | | |
| 5C | 130 | 139 | | | |
| 6C | 139 | 148 | | | |
| 7C | 148 | 156 | | | |

^[1] Tolerance $\pm 10\%$

Relative Spectral Emission (Typical)

T_j = 25°C

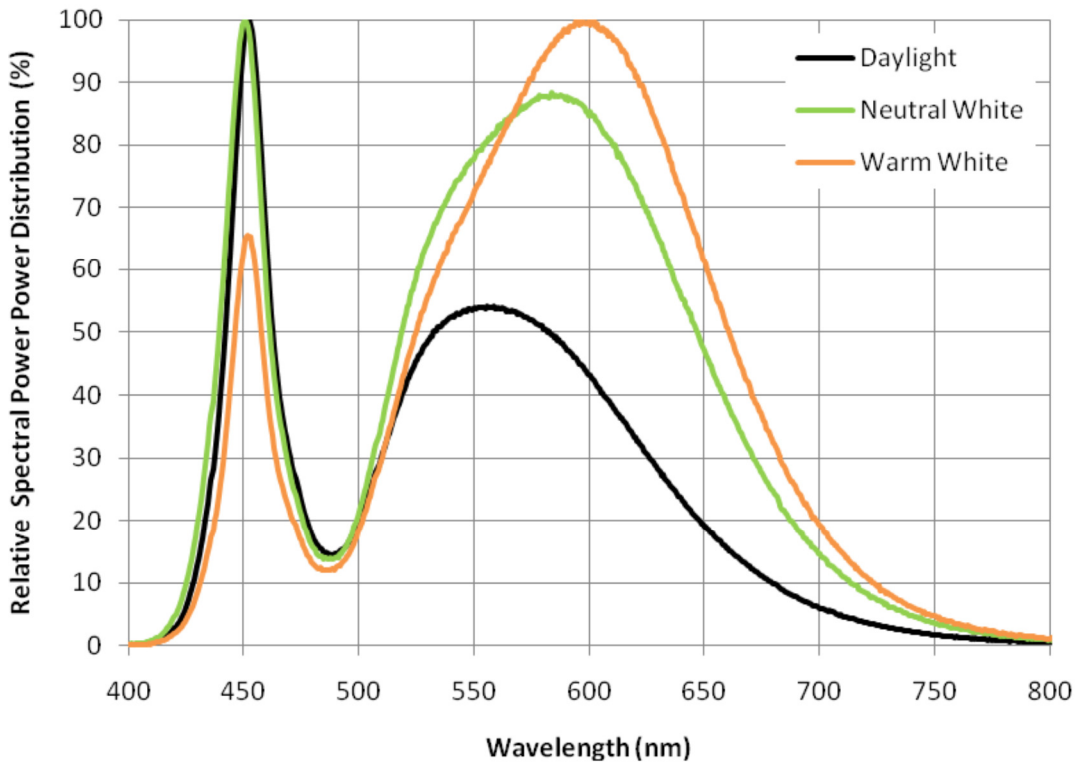


Fig.1 Normalised spectral power distribution – White

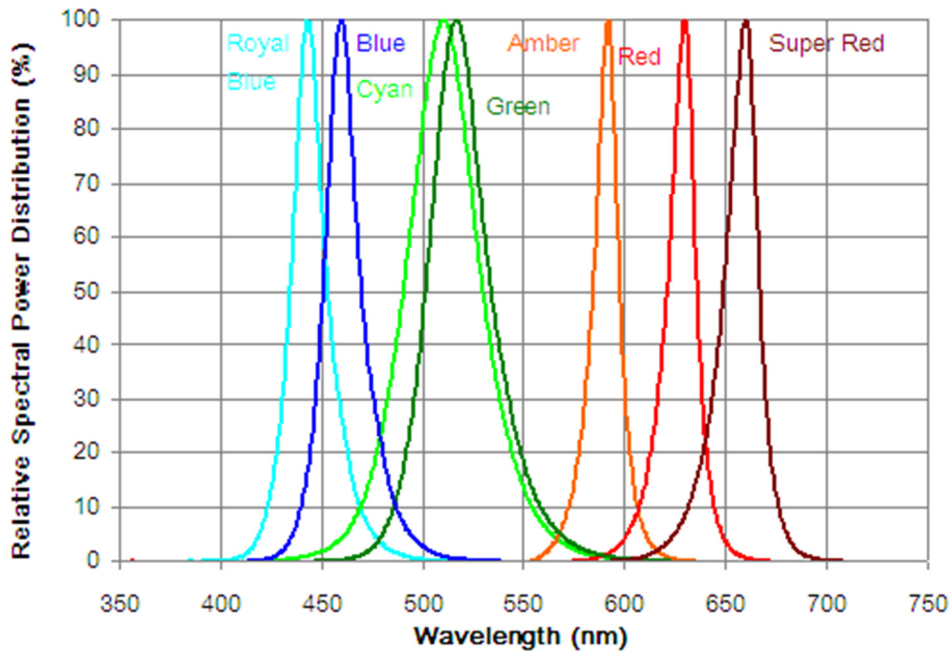


Fig.2 Normalised spectral power distribution – Royal Blue, Blue, Cyan, Green, Amber, Red, Super Red

Colour Chromaticity – Cool White

Cool White 4750-10000K

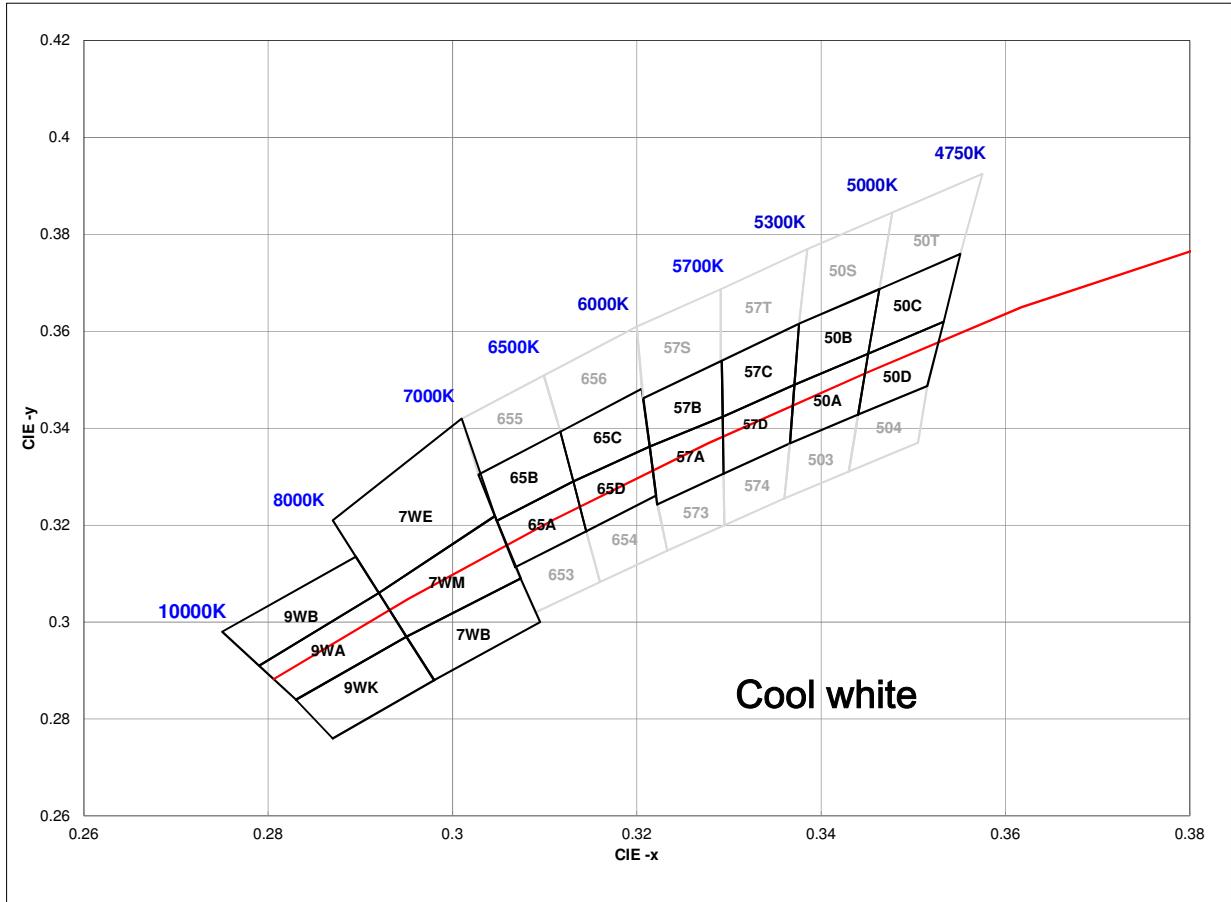


Fig.3A CIE1931 chromaticity diagram (ANSI standard C78.377-2008) – Cool White

ALPS Series | Product Datasheet

| 50A | | 50B | | 50C | | 50D | | 57A | | 57B | | 57C | | 57D | |
|--------|--------|--------|--------|--------|--------|--------|--------|--------|--------|--------|--------|--------|--------|--------|--------|
| x | y | x | y | x | y | x | y | x | y | x | y | x | y | x | y |
| 0.367 | 0.3578 | 0.3686 | 0.3649 | 0.3744 | 0.3685 | 0.3726 | 0.3612 | 0.3702 | 0.3722 | 0.3719 | 0.3797 | 0.3782 | 0.3837 | 0.3763 | 0.376 |
| 0.3686 | 0.3649 | 0.3702 | 0.3722 | 0.3763 | 0.376 | 0.3744 | 0.3685 | 0.3719 | 0.3797 | 0.3736 | 0.3874 | 0.3802 | 0.3916 | 0.3782 | 0.3837 |
| 0.3744 | 0.3685 | 0.3763 | 0.376 | 0.3825 | 0.3798 | 0.3804 | 0.3721 | 0.3782 | 0.3837 | 0.3802 | 0.3916 | 0.3869 | 0.3958 | 0.3847 | 0.3877 |
| 0.3726 | 0.3612 | 0.3744 | 0.3685 | 0.3804 | 0.3721 | 0.3783 | 0.3646 | 0.3763 | 0.376 | 0.3782 | 0.3837 | 0.3847 | 0.3877 | 0.3825 | 0.3798 |
| 0.367 | 0.3578 | 0.3686 | 0.3649 | 0.3744 | 0.3685 | 0.3726 | 0.3612 | 0.3702 | 0.3722 | 0.3719 | 0.3797 | 0.3782 | 0.3837 | 0.3763 | 0.376 |
| 65A | | 65B | | 65C | | 65D | | | | | | | | | |
| x | y | x | y | x | y | x | y | | | | | | | | |
| 0.3825 | 0.3798 | 0.3847 | 0.3877 | 0.3912 | 0.3917 | 0.3887 | 0.3836 | | | | | | | | |
| 0.3847 | 0.3877 | 0.3869 | 0.3958 | 0.3937 | 0.4001 | 0.3912 | 0.3917 | | | | | | | | |
| 0.3912 | 0.3917 | 0.3937 | 0.4001 | 0.4006 | 0.4044 | 0.3978 | 0.3958 | | | | | | | | |
| 0.3887 | 0.3836 | 0.3912 | 0.3917 | 0.3978 | 0.3958 | 0.395 | 0.3875 | | | | | | | | |
| 0.3825 | 0.3798 | 0.3847 | 0.3877 | 0.3912 | 0.3917 | 0.3887 | 0.3836 | | | | | | | | |
| 7WB | | 7WM | | 7WE | | 9WK | | 9WA | | 9WB | | | | | |
| x | y | x | y | x | y | x | y | x | y | x | y | | | | |
| 0.295 | 0.297 | 0.298 | 0.288 | 0.292 | 0.306 | 0.287 | 0.276 | 0.283 | 0.284 | 0.2895 | 0.3135 | | | | |
| 0.292 | 0.306 | 0.295 | 0.297 | 0.287 | 0.321 | 0.283 | 0.284 | 0.279 | 0.291 | 0.275 | 0.298 | | | | |
| 0.3046 | 0.3219 | 0.3074 | 0.309 | 0.301 | 0.342 | 0.295 | 0.297 | 0.292 | 0.306 | 0.279 | 0.291 | | | | |
| 0.3074 | 0.309 | 0.3095 | 0.3 | 0.3046 | 0.3219 | 0.298 | 0.288 | 0.295 | 0.297 | 0.292 | 0.306 | | | | |
| 0.295 | 0.297 | 0.298 | 0.288 | 0.292 | 0.306 | 0.287 | 0.276 | 0.283 | 0.284 | 0.2895 | 0.3135 | | | | |
| 50S | | 50T | | 503 | | 504 | | 57S | | 57T | | 573 | | 574 | |
| x | y | x | y | x | y | x | y | x | y | x | y | x | y | x | y |
| 0.3376 | 0.3616 | 0.3463 | 0.3687 | 0.336 | 0.3255 | 0.343 | 0.3311 | 0.3207 | 0.3462 | 0.3291 | 0.3687 | 0.3233 | 0.3148 | 0.3295 | 0.32 |
| 0.3385 | 0.377 | 0.3477 | 0.3845 | 0.3366 | 0.3369 | 0.344 | 0.3428 | 0.32 | 0.361 | 0.3291 | 0.3539 | 0.3222 | 0.3243 | 0.3294 | 0.3306 |
| 0.3477 | 0.3845 | 0.3575 | 0.3925 | 0.344 | 0.3428 | 0.3515 | 0.3487 | 0.3291 | 0.3687 | 0.3376 | 0.3616 | 0.3294 | 0.3306 | 0.3366 | 0.3369 |
| 0.3463 | 0.3687 | 0.3551 | 0.376 | 0.343 | 0.3311 | 0.3505 | 0.337 | 0.3291 | 0.3539 | 0.3385 | 0.377 | 0.3295 | 0.32 | 0.336 | 0.3255 |
| 0.3376 | 0.3616 | 0.3463 | 0.3687 | 0.336 | 0.3255 | 0.343 | 0.3311 | 0.3207 | 0.3462 | 0.3291 | 0.3687 | 0.3233 | 0.3148 | 0.3295 | 0.32 |
| 653 | | 654 | | 655 | | 656 | | | | | | | | | |
| x | y | x | y | x | y | x | y | | | | | | | | |
| 0.309 | 0.302 | 0.316 | 0.3083 | 0.3028 | 0.3304 | 0.3114 | 0.3414 | | | | | | | | |
| 0.3068 | 0.3113 | 0.3145 | 0.3187 | 0.301 | 0.342 | 0.3099 | 0.3509 | | | | | | | | |
| 0.3145 | 0.3187 | 0.3221 | 0.3261 | 0.3099 | 0.3509 | 0.32 | 0.361 | | | | | | | | |
| 0.316 | 0.3083 | 0.3233 | 0.3148 | 0.3117 | 0.3393 | 0.3205 | 0.3481 | | | | | | | | |
| 0.309 | 0.302 | 0.316 | 0.3083 | 0.3028 | 0.3304 | 0.3117 | 0.3393 | | | | | | | | |

Colour Chromaticity – Neutral White

Neutral White 3700 – 4750K

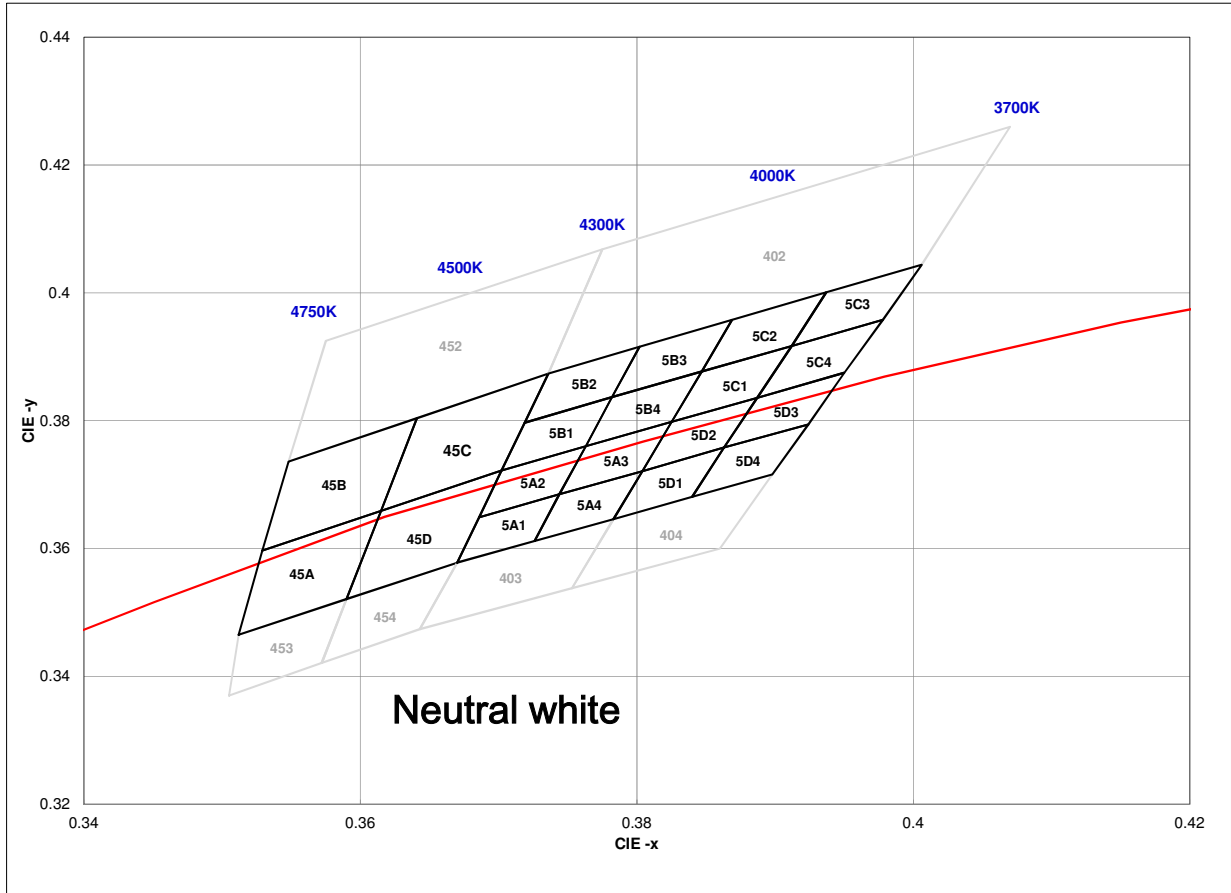


Fig.3B CIE1931 chromaticity diagram (ANSI standard C78.377-2008) – Neutral White

| 45A | | 45B | | 45C | | 45D | |
|--------|--------|--------|--------|--------|--------|--------|--------|
| x | y | x | y | x | y | x | y |
| 0.3512 | 0.3465 | 0.3529 | 0.3597 | 0.3615 | 0.3659 | 0.359 | 0.3521 |
| 0.3529 | 0.3597 | 0.3548 | 0.3736 | 0.3641 | 0.3804 | 0.3615 | 0.3659 |
| 0.3615 | 0.3659 | 0.3641 | 0.3804 | 0.3736 | 0.3874 | 0.3702 | 0.3722 |
| 0.359 | 0.3521 | 0.3615 | 0.3659 | 0.3702 | 0.3722 | 0.367 | 0.3578 |
| 0.3512 | 0.3465 | 0.3529 | 0.3597 | 0.3615 | 0.3659 | 0.359 | 0.3521 |

| 5A1 | | 5A2 | | 5A3 | | 5A4 | | 5B1 | | 5B2 | | 5B3 | | 5B4 | |
|--------|--------|--------|--------|--------|--------|--------|--------|--------|--------|--------|--------|--------|--------|--------|--------|
| x | y | x | y | x | y | x | y | x | y | x | y | x | y | x | y |
| 0.367 | 0.3578 | 0.3686 | 0.3649 | 0.3744 | 0.3685 | 0.3726 | 0.3612 | 0.3702 | 0.3722 | 0.3719 | 0.3797 | 0.3782 | 0.3837 | 0.3763 | 0.376 |
| 0.3686 | 0.3649 | 0.3702 | 0.3722 | 0.3763 | 0.376 | 0.3744 | 0.3685 | 0.3719 | 0.3797 | 0.3736 | 0.3874 | 0.3802 | 0.3916 | 0.3782 | 0.3837 |
| 0.3744 | 0.3685 | 0.3763 | 0.376 | 0.3825 | 0.3798 | 0.3804 | 0.3721 | 0.3782 | 0.3837 | 0.3802 | 0.3916 | 0.3869 | 0.3958 | 0.3847 | 0.3877 |
| 0.3726 | 0.3612 | 0.3744 | 0.3685 | 0.3804 | 0.3721 | 0.3783 | 0.3646 | 0.3763 | 0.376 | 0.3782 | 0.3837 | 0.3847 | 0.3877 | 0.3825 | 0.3798 |
| 0.367 | 0.3578 | 0.3686 | 0.3649 | 0.3744 | 0.3685 | 0.3726 | 0.3612 | 0.3702 | 0.3722 | 0.3719 | 0.3797 | 0.3782 | 0.3837 | 0.3763 | 0.376 |

| 5C1 | | 5C2 | | 5C3 | | 5C4 | | 5D1 | | 5D2 | | 5D3 | | 5D4 | |
|--------|--------|--------|--------|--------|--------|--------|--------|--------|--------|--------|--------|--------|--------|--------|--------|
| x | y | x | y | x | y | x | y | x | y | x | y | x | y | x | y |
| 0.3825 | 0.3798 | 0.3847 | 0.3877 | 0.3912 | 0.3917 | 0.3887 | 0.3836 | 0.3783 | 0.3646 | 0.3804 | 0.3721 | 0.3863 | 0.3758 | 0.384 | 0.3681 |
| 0.3847 | 0.3877 | 0.3869 | 0.3958 | 0.3937 | 0.4001 | 0.3912 | 0.3917 | 0.3804 | 0.3721 | 0.3825 | 0.3798 | 0.3887 | 0.3836 | 0.3863 | 0.3758 |
| 0.3912 | 0.3917 | 0.3937 | 0.4001 | 0.4006 | 0.4044 | 0.3978 | 0.3958 | 0.3863 | 0.3758 | 0.3887 | 0.3836 | 0.395 | 0.3875 | 0.3924 | 0.3794 |
| 0.3887 | 0.3836 | 0.3912 | 0.3917 | 0.3978 | 0.3958 | 0.395 | 0.3875 | 0.384 | 0.3681 | 0.3863 | 0.3758 | 0.3924 | 0.3794 | 0.3898 | 0.3716 |
| 0.3825 | 0.3798 | 0.3847 | 0.3877 | 0.3912 | 0.3917 | 0.3887 | 0.3836 | 0.3783 | 0.3646 | 0.3804 | 0.3721 | 0.3863 | 0.3758 | 0.384 | 0.3681 |

| 402 | | 403 | | 404 | | 452 | | 453 | | 454 | |
|--------|--------|--------|--------|--------|--------|--------|--------|--------|--------|--------|--------|
| x | y | x | y | x | y | x | y | x | y | x | y |
| 0.3736 | 0.3874 | 0.3643 | 0.3474 | 0.3753 | 0.3538 | 0.3548 | 0.3736 | 0.3505 | 0.337 | 0.3572 | 0.3421 |
| 0.3775 | 0.4068 | 0.367 | 0.3578 | 0.3783 | 0.3646 | 0.3575 | 0.3925 | 0.3512 | 0.3465 | 0.359 | 0.3521 |
| 0.407 | 0.426 | 0.3783 | 0.3646 | 0.3898 | 0.3716 | 0.3775 | 0.4068 | 0.359 | 0.3521 | 0.367 | 0.3578 |
| 0.4006 | 0.4044 | 0.3753 | 0.3538 | 0.386 | 0.36 | 0.3736 | 0.3874 | 0.3572 | 0.3421 | 0.3643 | 0.3474 |
| 0.3736 | 0.3874 | 0.3643 | 0.3474 | 0.3753 | 0.3538 | 0.3548 | 0.3736 | 0.3505 | 0.337 | 0.3572 | 0.3421 |

Colour Chromaticity – Warm White

Warm White 2600 – 3700K

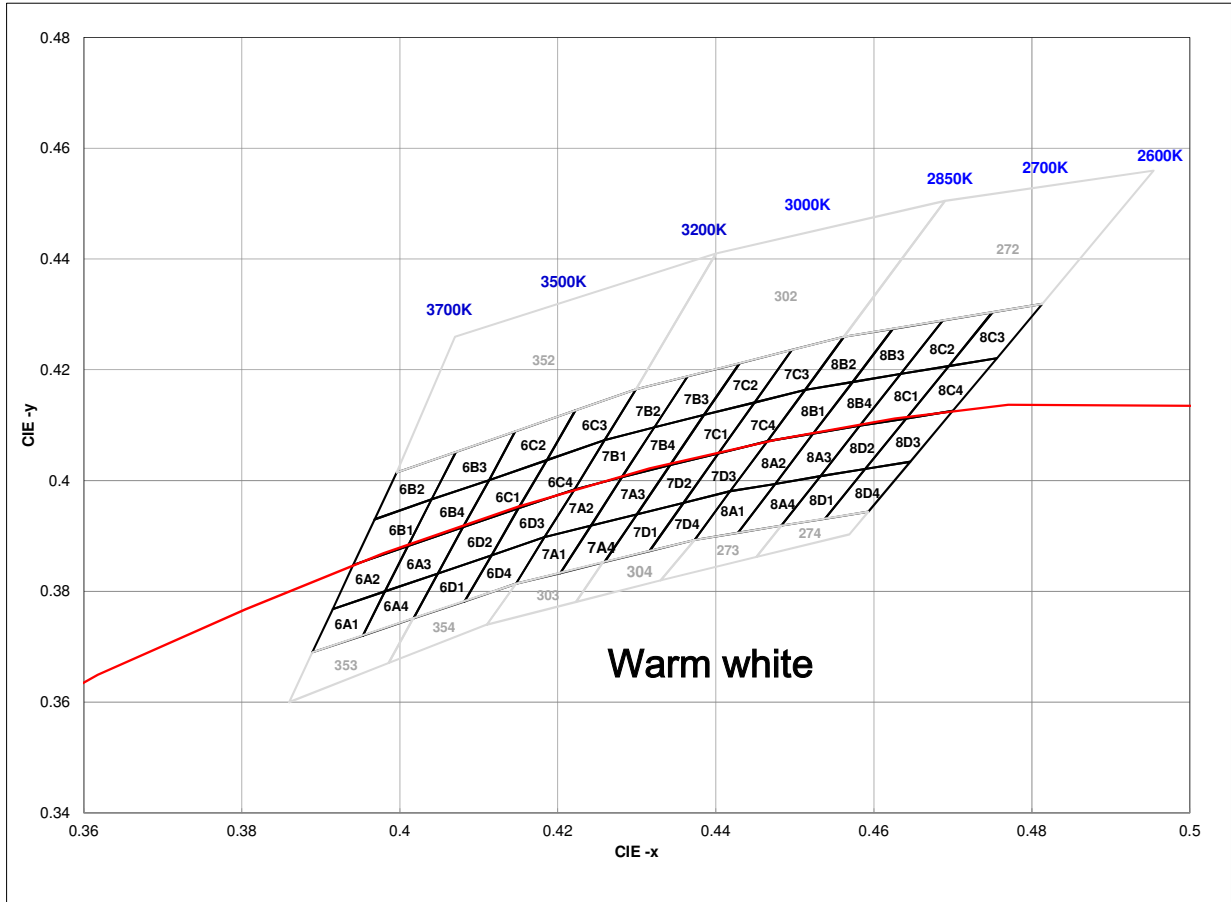


Fig.3C CIE1931 chromaticity diagram (ANSI standard C78.377-2008) – Warm White

ALPS Series | Product Datasheet

| 6A1 | | 6A2 | | 6A3 | | 6A4 | | 6B1 | | 6B2 | | 6B3 | | 6B4 | |
|--------|--------|--------|--------|--------|--------|--------|--------|--------|--------|--------|--------|--------|--------|--------|--------|
| x | y | x | y | x | y | x | y | x | y | x | y | x | y | x | y |
| 0.3889 | 0.3690 | 0.3915 | 0.3768 | 0.3981 | 0.3800 | 0.3953 | 0.3720 | 0.3941 | 0.3848 | 0.3968 | 0.3930 | 0.4040 | 0.3966 | 0.4010 | 0.3882 |
| 0.3915 | 0.3768 | 0.3941 | 0.3848 | 0.4010 | 0.3882 | 0.3981 | 0.3800 | 0.3968 | 0.3930 | 0.3996 | 0.4015 | 0.4071 | 0.4052 | 0.4040 | 0.3966 |
| 0.3981 | 0.3800 | 0.4010 | 0.3882 | 0.4080 | 0.3916 | 0.4048 | 0.3832 | 0.4040 | 0.3966 | 0.4071 | 0.4052 | 0.4146 | 0.4089 | 0.4113 | 0.4001 |
| 0.3953 | 0.3720 | 0.3981 | 0.3800 | 0.4048 | 0.3832 | 0.4017 | 0.3751 | 0.4010 | 0.3882 | 0.4040 | 0.3966 | 0.4113 | 0.4001 | 0.4080 | 0.3916 |
| 0.3889 | 0.3690 | 0.3915 | 0.3768 | 0.3981 | 0.3800 | 0.3953 | 0.3720 | 0.3941 | 0.3848 | 0.3968 | 0.3930 | 0.4040 | 0.3966 | 0.4010 | 0.3882 |
| 6C1 | | 6C2 | | 6C3 | | 6C4 | | 6D1 | | 6D2 | | 6D3 | | 6D4 | |
| x | y | x | y | x | y | x | y | x | y | x | y | x | y | x | y |
| 0.4080 | 0.3916 | 0.4113 | 0.4001 | 0.4186 | 0.4037 | 0.4150 | 0.3950 | 0.4017 | 0.3751 | 0.4048 | 0.3832 | 0.4116 | 0.3865 | 0.4082 | 0.3782 |
| 0.4113 | 0.4001 | 0.4146 | 0.4089 | 0.4222 | 0.4127 | 0.4186 | 0.4037 | 0.4048 | 0.3832 | 0.4080 | 0.3916 | 0.4150 | 0.3950 | 0.4116 | 0.3865 |
| 0.4186 | 0.4037 | 0.4222 | 0.4127 | 0.4299 | 0.4165 | 0.4259 | 0.4073 | 0.4116 | 0.3865 | 0.4150 | 0.3950 | 0.4221 | 0.3984 | 0.4183 | 0.3898 |
| 0.4150 | 0.3950 | 0.4186 | 0.4037 | 0.4259 | 0.4073 | 0.4221 | 0.3984 | 0.4082 | 0.3782 | 0.4116 | 0.3865 | 0.4183 | 0.3898 | 0.4147 | 0.3814 |
| 0.4080 | 0.3916 | 0.4113 | 0.4001 | 0.4186 | 0.4037 | 0.4150 | 0.3950 | 0.4017 | 0.3751 | 0.4048 | 0.3832 | 0.4116 | 0.3865 | 0.4082 | 0.3782 |
| 7A1 | | 7A2 | | 7A3 | | 7A4 | | 7B1 | | 7B2 | | 7B3 | | 7B4 | |
| x | y | x | y | x | y | x | y | x | y | x | y | x | y | x | y |
| 0.4147 | 0.3814 | 0.4183 | 0.3898 | 0.4242 | 0.3919 | 0.4203 | 0.3833 | 0.4221 | 0.3984 | 0.4259 | 0.4073 | 0.4322 | 0.4096 | 0.4281 | 0.4006 |
| 0.4183 | 0.3898 | 0.4221 | 0.3984 | 0.4281 | 0.4006 | 0.4242 | 0.3919 | 0.4259 | 0.4073 | 0.4299 | 0.4165 | 0.4364 | 0.4188 | 0.4322 | 0.4096 |
| 0.4242 | 0.3919 | 0.4281 | 0.4006 | 0.4342 | 0.4028 | 0.4300 | 0.3939 | 0.4322 | 0.4096 | 0.4364 | 0.4188 | 0.4430 | 0.4212 | 0.4385 | 0.4119 |
| 0.4203 | 0.3833 | 0.4242 | 0.3919 | 0.4300 | 0.3939 | 0.4259 | 0.3853 | 0.4281 | 0.4006 | 0.4322 | 0.4096 | 0.4385 | 0.4119 | 0.4342 | 0.4028 |
| 0.4147 | 0.3814 | 0.4183 | 0.3898 | 0.4242 | 0.3919 | 0.4203 | 0.3833 | 0.4221 | 0.3984 | 0.4259 | 0.4073 | 0.4322 | 0.4096 | 0.4281 | 0.4006 |
| 7C1 | | 7C2 | | 7C3 | | 7C4 | | 7D1 | | 7D2 | | 7D3 | | 7D4 | |
| x | y | x | y | x | y | x | y | x | y | x | y | x | y | x | y |
| 0.4342 | 0.4028 | 0.4385 | 0.4119 | 0.4449 | 0.4141 | 0.4403 | 0.4049 | 0.4259 | 0.3853 | 0.4300 | 0.3939 | 0.4342 | 0.4028 | 0.4403 | 0.4049 |
| 0.4385 | 0.4119 | 0.4430 | 0.4212 | 0.4496 | 0.4236 | 0.4449 | 0.4141 | 0.4300 | 0.3939 | 0.4342 | 0.4028 | 0.4403 | 0.4049 | 0.4359 | 0.3960 |
| 0.4449 | 0.4141 | 0.4496 | 0.4236 | 0.4562 | 0.4260 | 0.4513 | 0.4164 | 0.4359 | 0.3960 | 0.4403 | 0.4049 | 0.4465 | 0.4071 | 0.4418 | 0.3981 |
| 0.4403 | 0.4049 | 0.4449 | 0.4141 | 0.4513 | 0.4164 | 0.4465 | 0.4071 | 0.4316 | 0.3873 | 0.4359 | 0.3960 | 0.4418 | 0.3981 | 0.4373 | 0.3893 |
| 0.4342 | 0.4028 | 0.4385 | 0.4119 | 0.4449 | 0.4141 | 0.4403 | 0.4049 | 0.4259 | 0.3853 | 0.4300 | 0.3939 | 0.4342 | 0.4028 | 0.4403 | 0.4049 |
| 8A1 | | 8A2 | | 8A3 | | 8A4 | | 8B1 | | 8B2 | | 8B3 | | 8B4 | |
| x | y | x | y | x | y | x | y | x | y | x | y | x | y | x | y |
| 0.4373 | 0.3893 | 0.4418 | 0.3981 | 0.4475 | 0.3994 | 0.4428 | 0.3906 | 0.4465 | 0.4071 | 0.4513 | 0.4164 | 0.4573 | 0.4178 | 0.4523 | 0.4085 |
| 0.4418 | 0.3981 | 0.4465 | 0.4071 | 0.4523 | 0.4085 | 0.4475 | 0.3994 | 0.4513 | 0.4164 | 0.4562 | 0.4260 | 0.4624 | 0.4274 | 0.4573 | 0.4178 |
| 0.4475 | 0.3994 | 0.4523 | 0.4085 | 0.4582 | 0.4099 | 0.4532 | 0.4008 | 0.4573 | 0.4178 | 0.4624 | 0.4274 | 0.4687 | 0.4289 | 0.4634 | 0.4193 |
| 0.4428 | 0.3906 | 0.4475 | 0.3994 | 0.4532 | 0.4008 | 0.4483 | 0.3919 | 0.4523 | 0.4085 | 0.4573 | 0.4178 | 0.4634 | 0.4193 | 0.4582 | 0.4099 |
| 0.4373 | 0.3893 | 0.4418 | 0.3981 | 0.4475 | 0.3994 | 0.4428 | 0.3906 | 0.4465 | 0.4071 | 0.4513 | 0.4164 | 0.4573 | 0.4178 | 0.4523 | 0.4085 |
| 8C1 | | 8C2 | | 8C3 | | 8C4 | | 8D1 | | 8D2 | | 8D3 | | 8D4 | |
| x | y | x | y | x | y | x | y | x | y | x | y | x | y | x | y |
| 0.4582 | 0.4099 | 0.4634 | 0.4193 | 0.4695 | 0.4207 | 0.4641 | 0.4112 | 0.4483 | 0.3919 | 0.4532 | 0.4008 | 0.4589 | 0.4021 | 0.4538 | 0.3931 |
| 0.4634 | 0.4193 | 0.4687 | 0.4289 | 0.4750 | 0.4304 | 0.4695 | 0.4207 | 0.4532 | 0.4008 | 0.4582 | 0.4099 | 0.4641 | 0.4112 | 0.4589 | 0.4021 |
| 0.4695 | 0.4207 | 0.4750 | 0.4304 | 0.4813 | 0.4319 | 0.4756 | 0.4221 | 0.4589 | 0.4021 | 0.4641 | 0.4112 | 0.4700 | 0.4126 | 0.4646 | 0.4034 |
| 0.4641 | 0.4112 | 0.4695 | 0.4207 | 0.4756 | 0.4221 | 0.4700 | 0.4126 | 0.4538 | 0.3931 | 0.4589 | 0.4021 | 0.4646 | 0.4034 | 0.4593 | 0.3944 |
| 0.4582 | 0.4099 | 0.4634 | 0.4193 | 0.4695 | 0.4207 | 0.4641 | 0.4112 | 0.4483 | 0.3919 | 0.4532 | 0.4008 | 0.4589 | 0.4021 | 0.4538 | 0.3931 |

| 272 | | 273 | | 274 | |
|--------|--------|--------|--------|--------|--------|
| x | y | x | y | x | y |
| 0.4562 | 0.4260 | 0.4330 | 0.3820 | 0.4451 | 0.3862 |
| 0.4690 | 0.4505 | 0.4373 | 0.3893 | 0.4483 | 0.3919 |
| 0.4954 | 0.4560 | 0.4483 | 0.3919 | 0.4593 | 0.3944 |
| 0.4813 | 0.4319 | 0.4451 | 0.3862 | 0.4569 | 0.3903 |
| 0.4562 | 0.4260 | 0.4330 | 0.3820 | 0.4451 | 0.3862 |
| 302 | | 303 | | 304 | |
| x | y | x | y | x | y |
| 0.4299 | 0.4165 | 0.4110 | 0.3740 | 0.4223 | 0.3781 |
| 0.4400 | 0.4410 | 0.4147 | 0.3814 | 0.4257 | 0.3853 |
| 0.4690 | 0.4505 | 0.4257 | 0.3853 | 0.4373 | 0.3893 |
| 0.4562 | 0.4260 | 0.4223 | 0.3781 | 0.4330 | 0.3820 |
| 0.4299 | 0.4165 | 0.4110 | 0.3740 | 0.4223 | 0.3781 |
| 352 | | 353 | | 354 | |
| x | y | x | y | x | y |
| 0.3996 | 0.4015 | 0.3860 | 0.3600 | 0.3986 | 0.3671 |
| 0.4070 | 0.4260 | 0.3889 | 0.3690 | 0.4017 | 0.3752 |
| 0.4400 | 0.4410 | 0.4017 | 0.3752 | 0.4147 | 0.3814 |
| 0.4299 | 0.4165 | 0.3986 | 0.3671 | 0.4110 | 0.3740 |
| 0.3996 | 0.4015 | 0.3860 | 0.3600 | 0.3986 | 0.3671 |

Angular Light Distribution

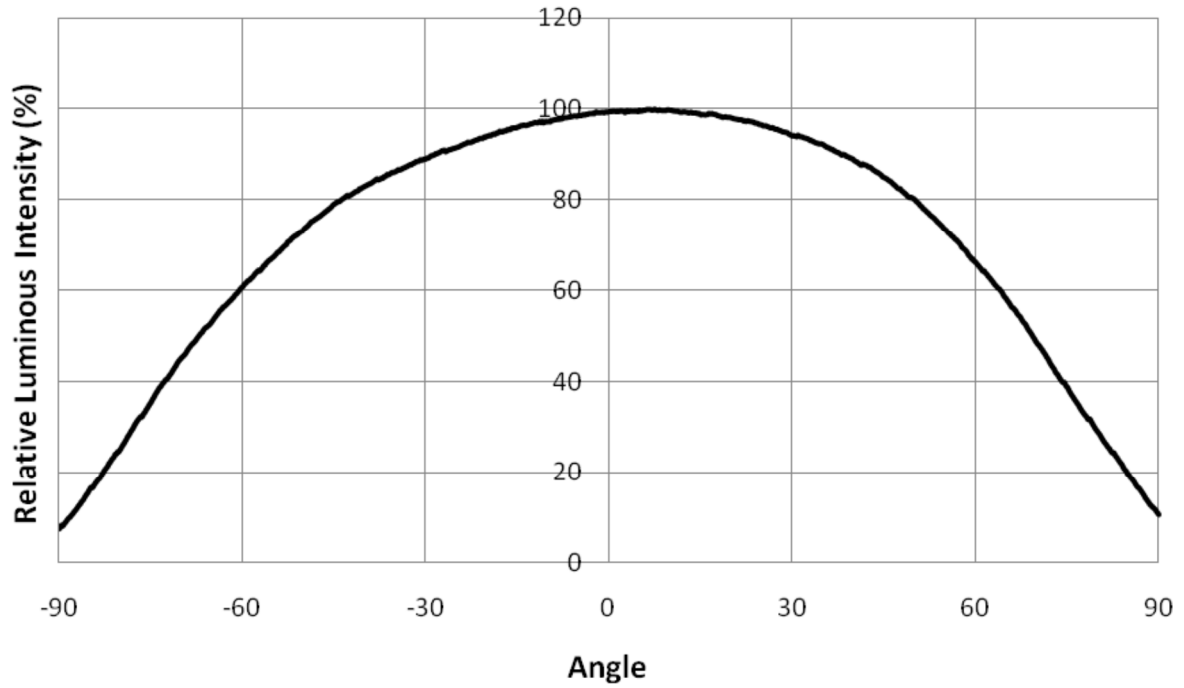


Fig.4 Angular distribution pattern of emitted light (typical) – Cool White

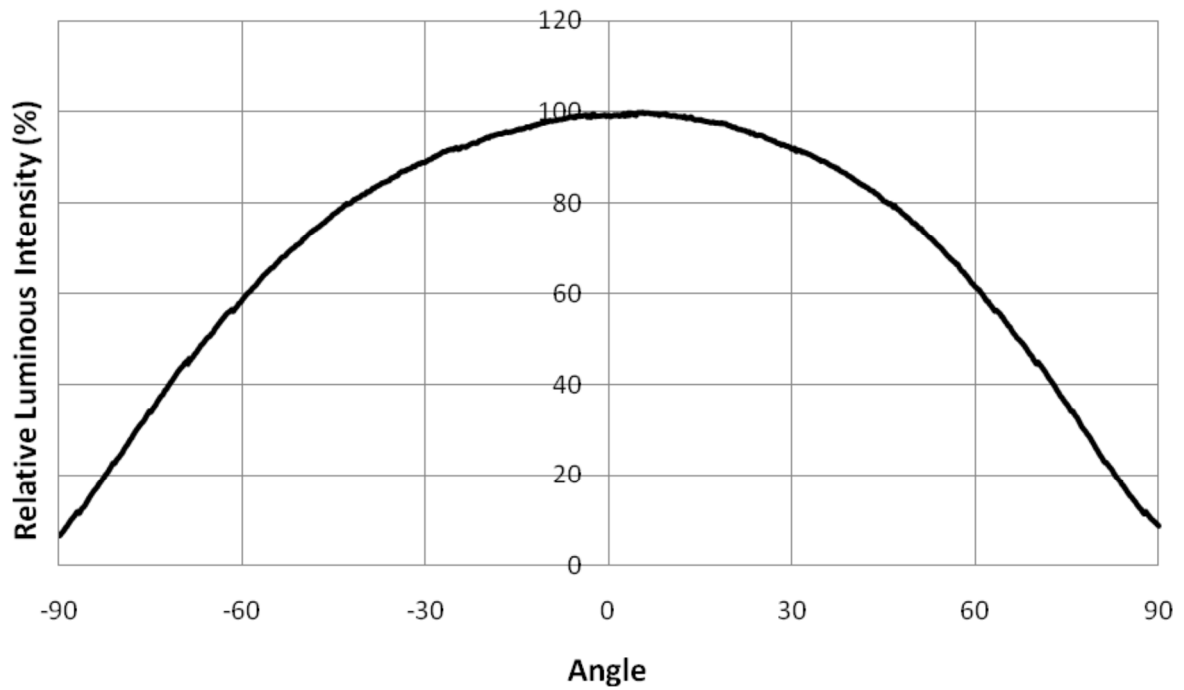


Fig.5 Angular distribution pattern of emitted light (typical) – Neutral White

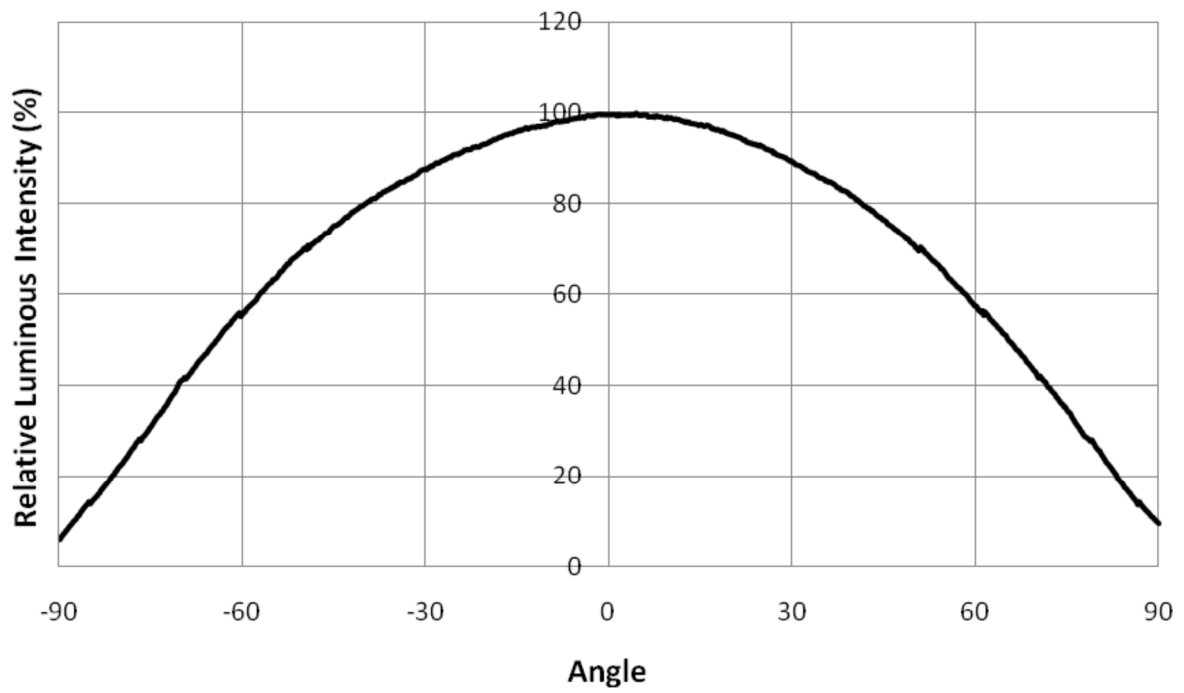


Fig.6 Angular distribution pattern of emitted light (typical) – Warm White

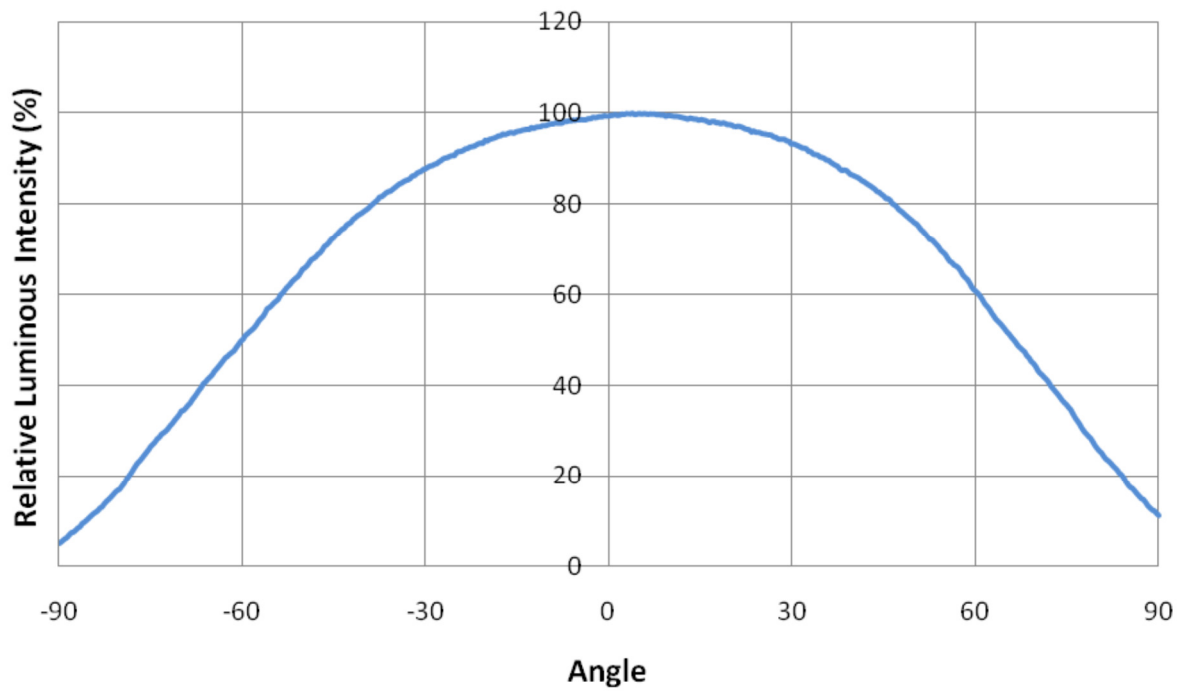


Fig.7 Angular distribution pattern of emitted light (typical) – Blue, Royal Blue

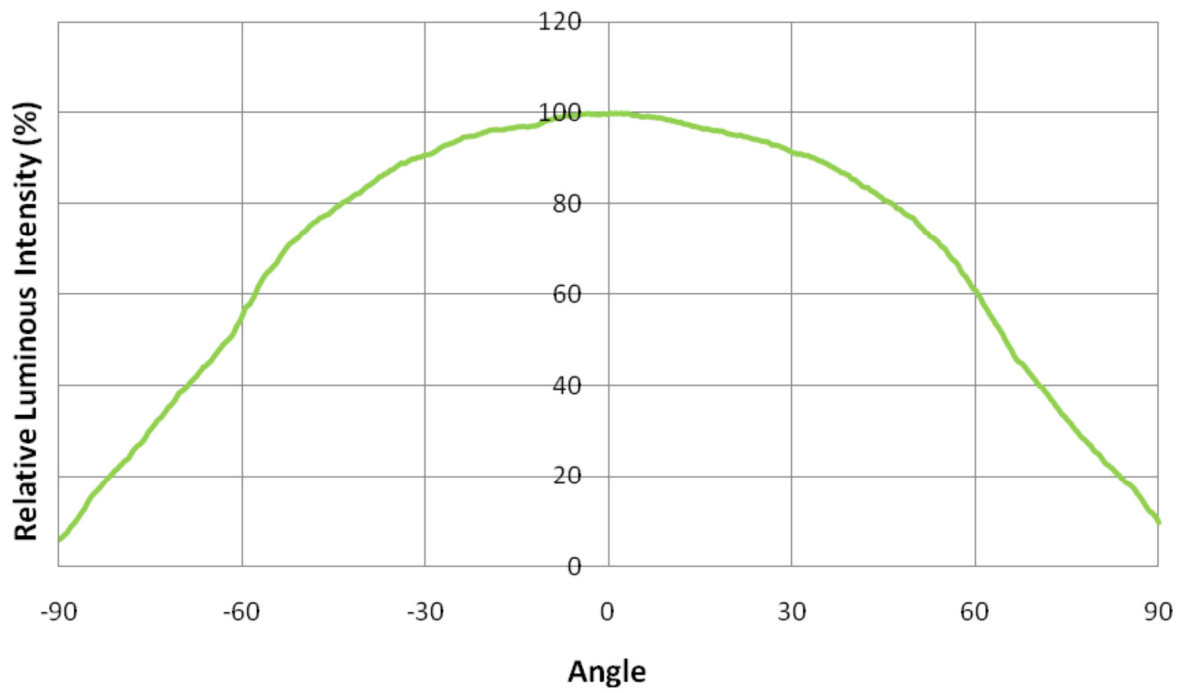


Fig.8 Angular distribution pattern of emitted light (typical) – Green, Cyan

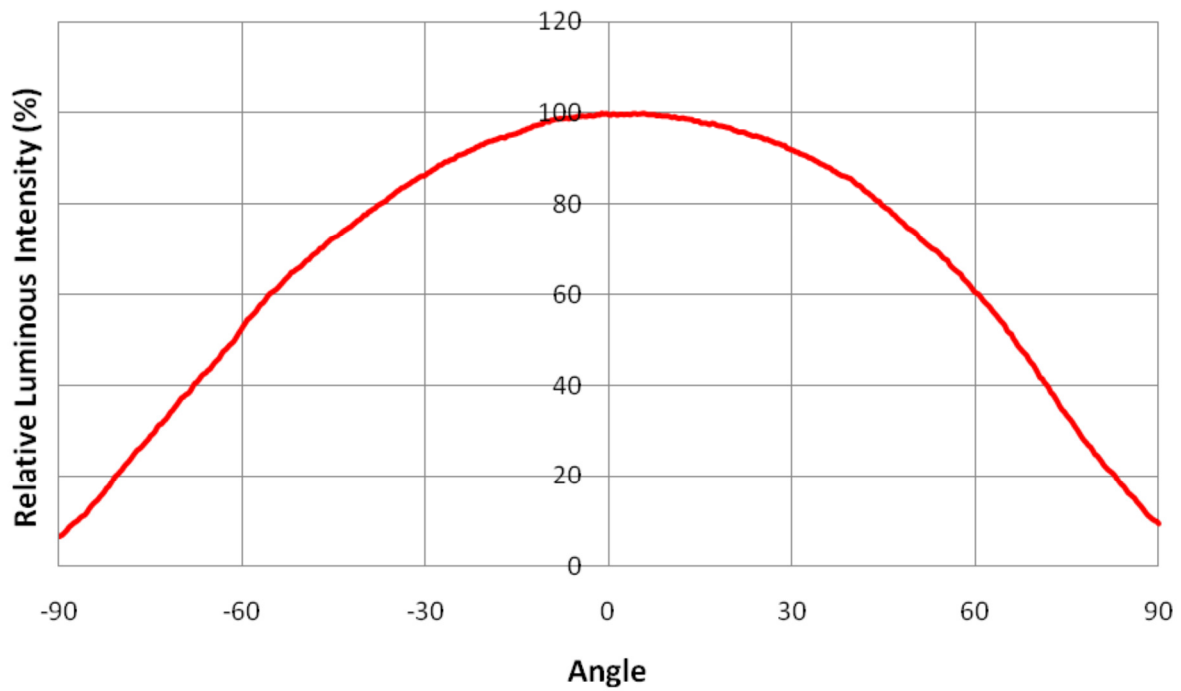


Fig.9 Angular distribution pattern of emitted light (typical) – Amber, Red, Super Red

Forward Current Characteristics

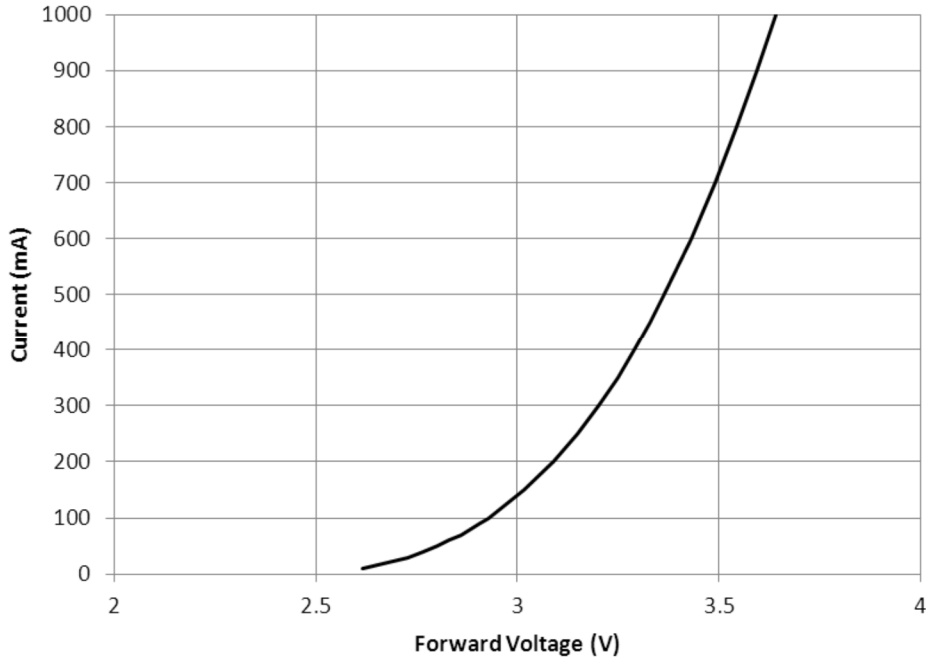


Fig.10 Typ forward voltage vs forward current – White, Blue, Royal Blue, Green, Cyan

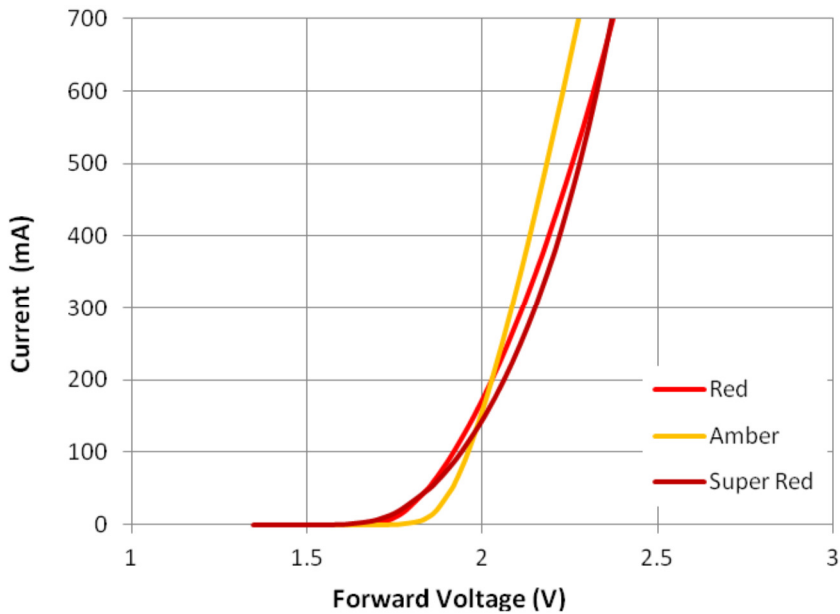


Fig.11 Typ forward voltage vs forward current – Amber, Red, Super Red

Temperature Characteristics

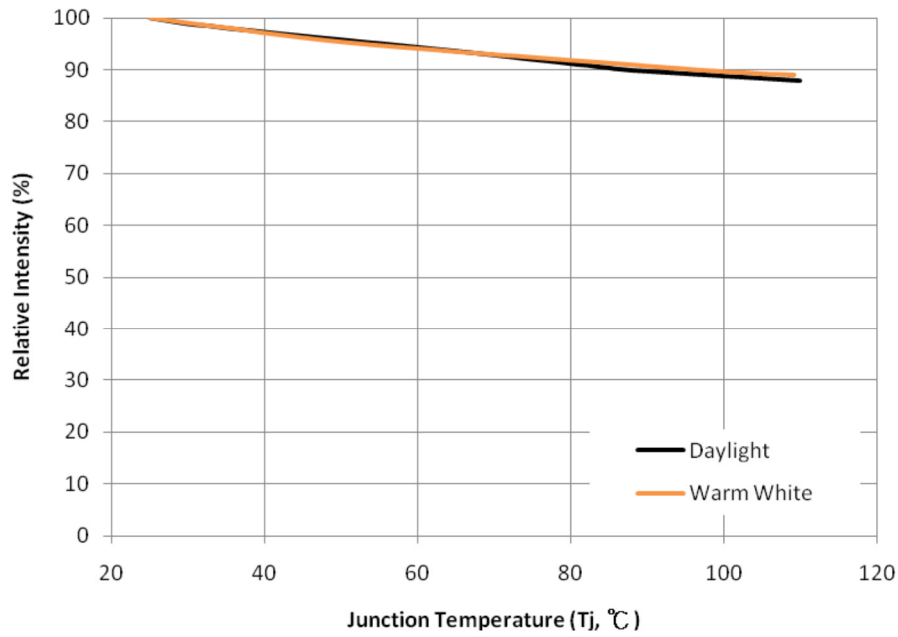


Fig.12 Relative luminous flux vs junction temperature - White

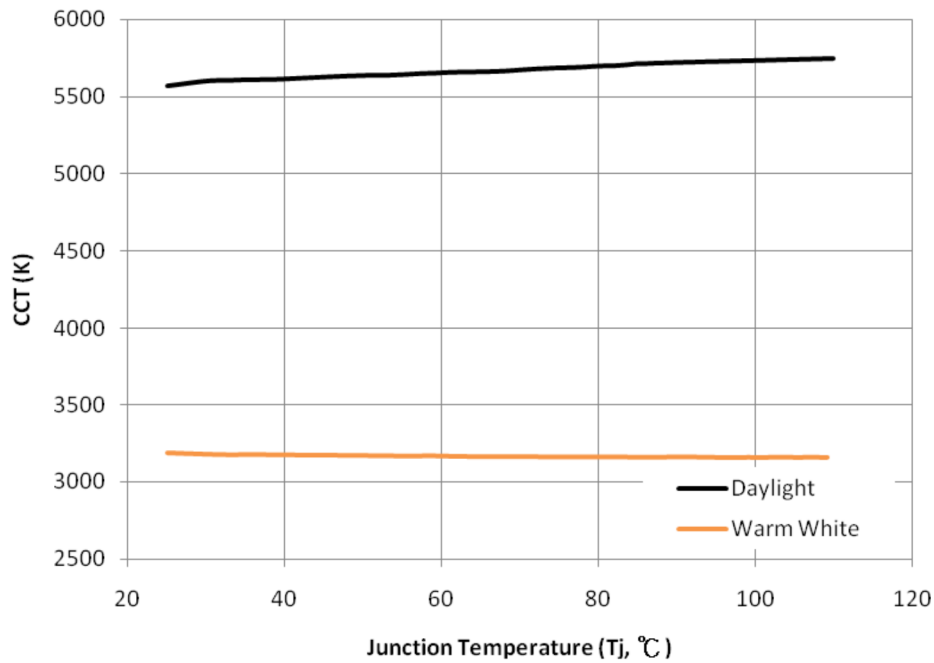


Fig.13 CCT vs junction temperature - White

Derating Curves

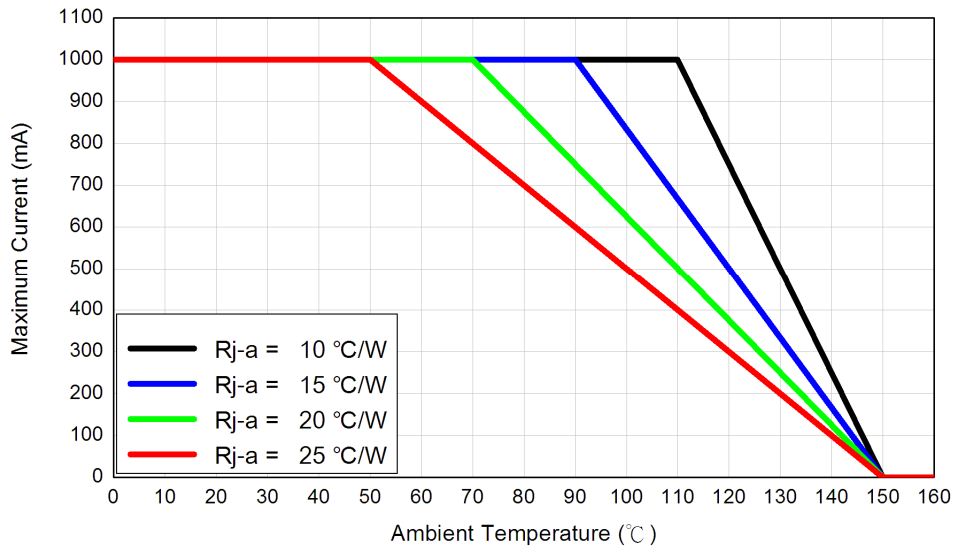


Fig.14 Ambient Temperature Derating Curve – White, Blue, Royal Blue, Green, Cyan

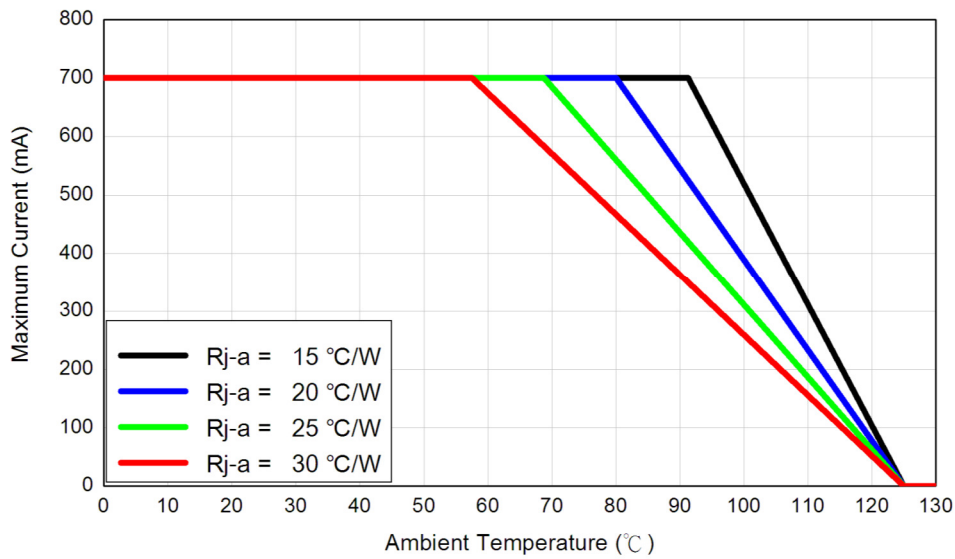


Fig.15 Ambient Temperature Derating Curve – Amber, Red, Super Red

Package Outline Dimensions

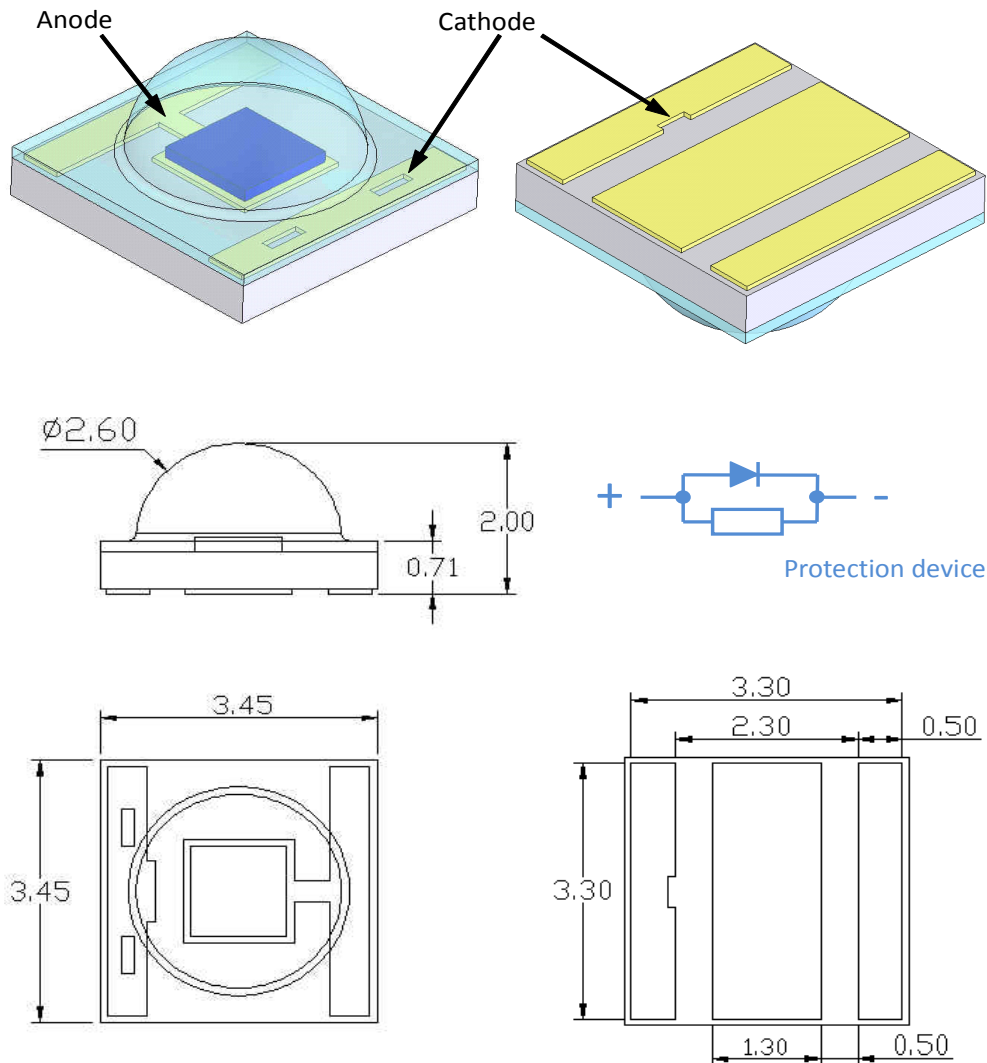


Fig.16 Mechanical drawings of the 3535 package

Notes:

1. All dimensions are in mm
2. All dimensions are to a tolerance of ± 0.13 mm

Handling Instructions

Plessey LEDs are not designed to operate with reverse bias.

Precautions are required to prevent reverse bias in applications and during handling.



Moisture Sensitivity

| JEDEC Level | Floor life | | Bake | |
|-------------|------------|--|--------------|------------|
| | Time | Conditions | Time | Conditions |
| 1 | unlimited | $\leq +30^{\circ}\text{C} / 85\% \text{ RH}$ | Not required | - |

Soldering Information

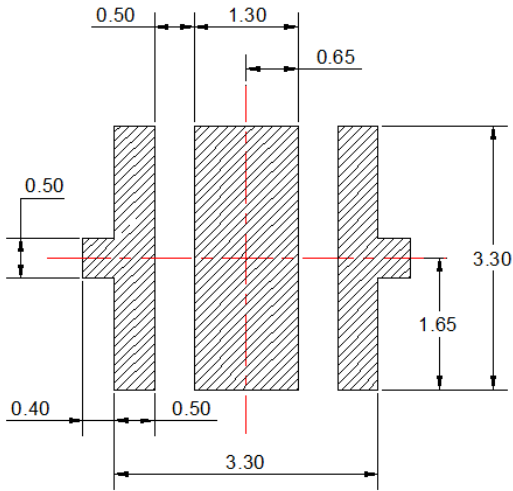


Fig.17 Recommended Solder Pad Design

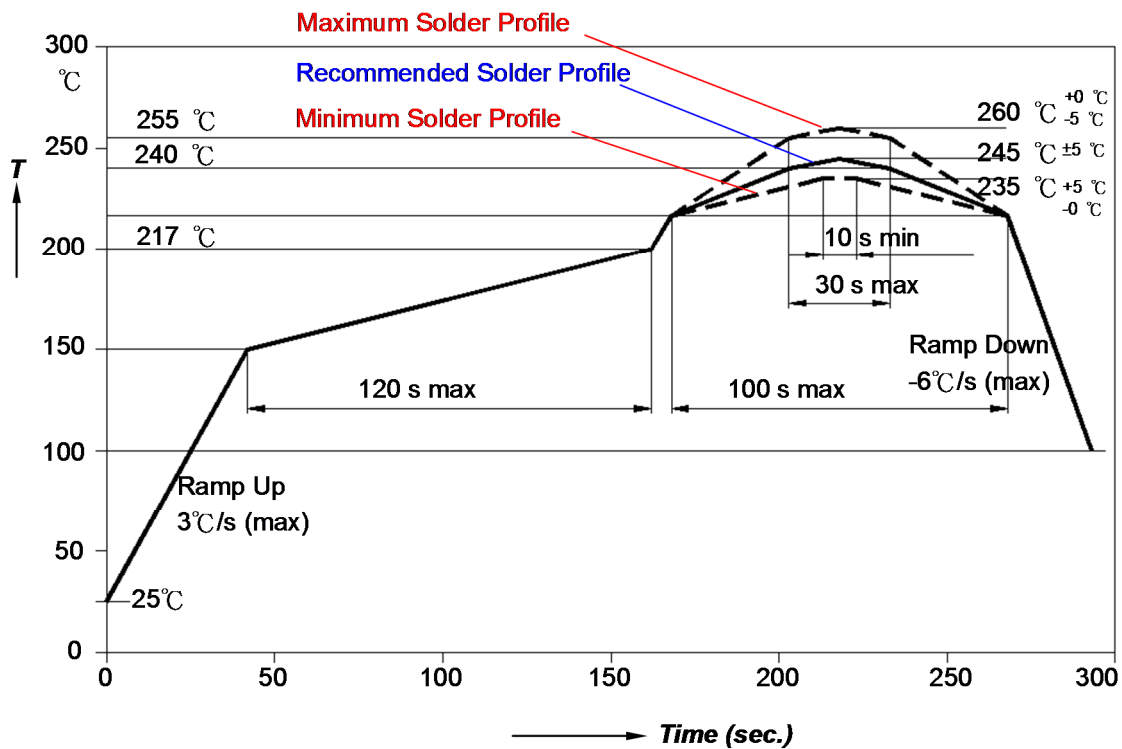
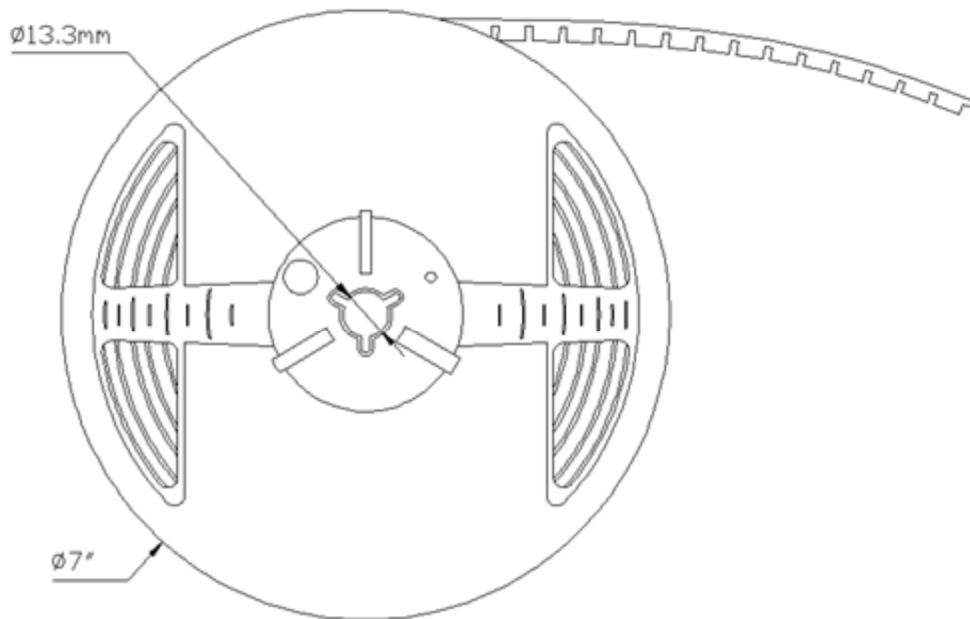
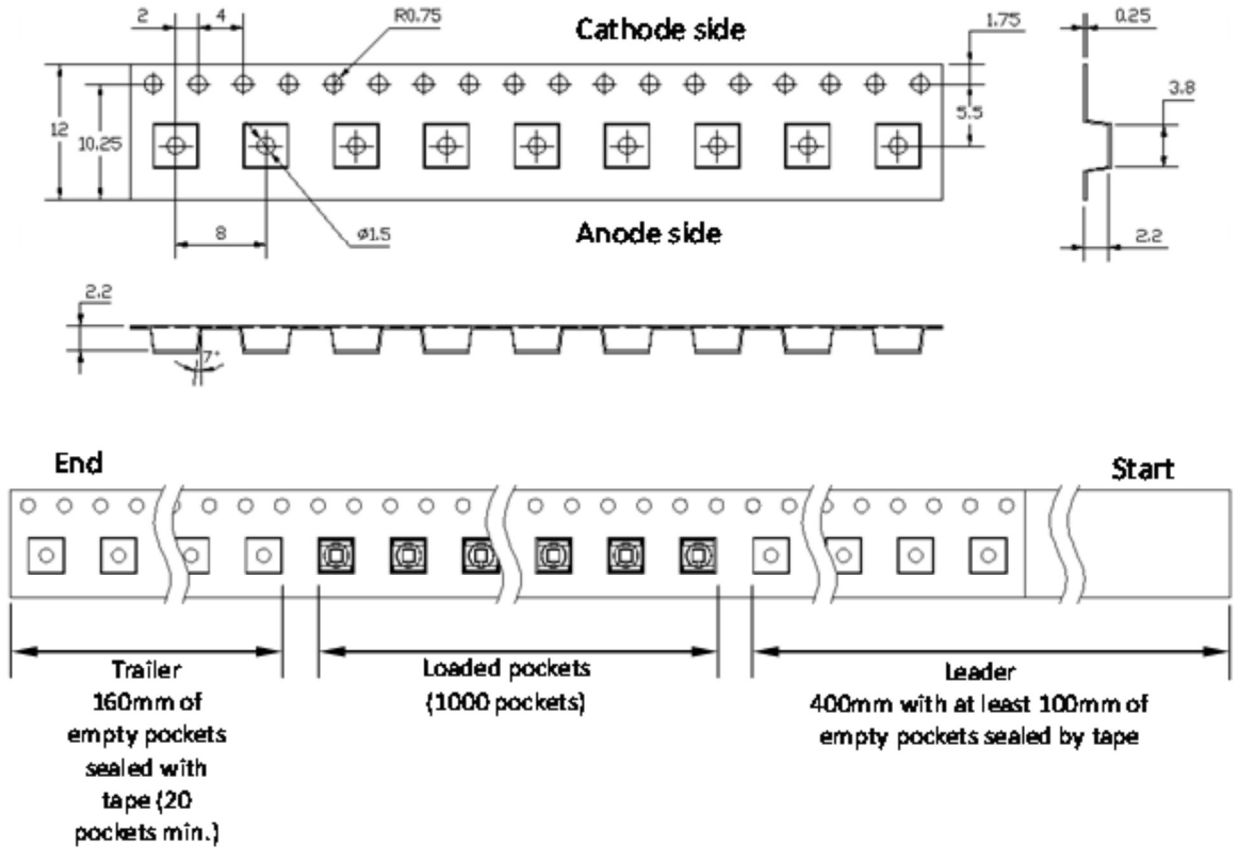


Fig.18 Recommended Solder Profile

Packing Information

The carrier tape conform to EIA-481D.



Legal Notice

Product information provided by Plessey Semiconductors Limited (“Plessey”) in this document is believed to be correct and accurate. Plessey reserves the right to change/correct the specifications and other data or information relating to products without notice but Plessey accepts no liability for errors that may appear in this document, howsoever occurring, or liability arising from the use or application of any information or data provided herein. Neither the supply of such information, nor the purchase or use of products conveys any licence or permission under patent, copyright, trademark or other intellectual property right of Plessey or third parties.

Products sold by Plessey are subject to its standard Terms and Conditions of Sale that are available on request. No warranty is given that products do not infringe the intellectual property rights of third parties, and furthermore, the use of products in certain ways or in combination with Plessey, or non-Plessey furnished equipments/components may infringe intellectual property rights of Plessey.

The purpose of this document is to provide information only and it may not be used, applied or reproduced (in whole or in part) for any purpose nor be taken as a representation relating to the products in question. No warranty or guarantee express or implied is made concerning the capability, performance or suitability of any product, and information concerning possible applications or methods of use is provided for guidance only and not as a recommendation. The user is solely responsible for determining the performance and suitability of the product in any application and checking that any specification or data it seeks to rely on has not been superseded.

Products are intended for normal commercial applications. For applications requiring unusual environmental requirements, extended temperature range, or high reliability capability (e.g. military, or medical applications), special processing/testing/conditions of sale may be available on application to Plessey.

Contact

Customer Support

+44 1752 693000 | support@plesseysemi.com

www.plesseysemi.com

Plessey Semiconductors Ltd | Plymouth
Tamerton Road, Roborough
Plymouth, Devon
PL6 7BQ United Kingdom

Plessey Semiconductors Ltd | Swindon
Design & Technology Centre, Delta
500, Delta Business Park, Swindon
SN5 7XE United Kingdom

P: +44 1752 693000

F: +44 1752 693700

P: +44 1793 518000

F: +44 1793 518030