

600mA Synchronous Step-Down DC/DC Converter + Dual LDO Regulator

GENERAL DESCRIPTION

The XCM520 series is a multi chip module which comprises of a 600mA driver transistor built-in synchronous step-down DC/DC converter and a dual CMOS LDO regulator. The device is housed in small USP-12B01 package which is ideally suited for space conscious applications.

The XCM520 can replace this dual DC/DC to eliminate one inductor and reduce output noise.

The DC/DC converter with a built-in 0.42 P-channel MOS and a 0.52 N-channel MOS provides a high efficiency, stable power supply up to 600mA to using only a coil and two ceramic capacitors connected externally.

The highly accurate, low noise, dual CMOS LDO regulator includes a reference voltage source, error amplifiers, driver transistors, current limiters and phase compensation circuits internally. The series is also fully compatible with low ESR ceramic capacitors.

This high level of output stability is maintained even during frequent load fluctuations, due to the excellent transient response performance and high PSRR achieved across a broad range of frequencies. The EN function allows the output of each regulator to be turned off independently, resulting in greatly reduced power consumption.

APPLICATIONS

- Mobile phones, Smart phones
- Bluetooth headsets
- WLAN PC cards
- Portable HDDs, SSDs
- PDAs, PNDs, UMPCs
- MP3 players, Media players
- Portable game consoles
- Cordless phones, Radio communication equipment

FEATURES

<DC/DC Converter Block>

- Driver Transistor** : 0.42Ω P-channel MOS Built-in
- Switching Transistor** : 0.52Ω N-channel MOS Built-in
- Input Voltage Range** : 2.7V ~ 6.0V
- Output Voltage Range** : 0.8V ~ 4.0V
- High Efficiency** : 92% (TYP.) *
- Output Current** : 600mA
- Oscillation Frequency** : 1.2MHz, 3.0MHz (±15%)
- Soft-Start** : Built-In Soft-Start
- Current Limiter Circuit** : Constant Current & Latching
- Control** : Fixed PWM, Auto PWM/PFM

*Performance depends on external components and wiring on PCB wiring.

<Dual LDO Regulator Block>

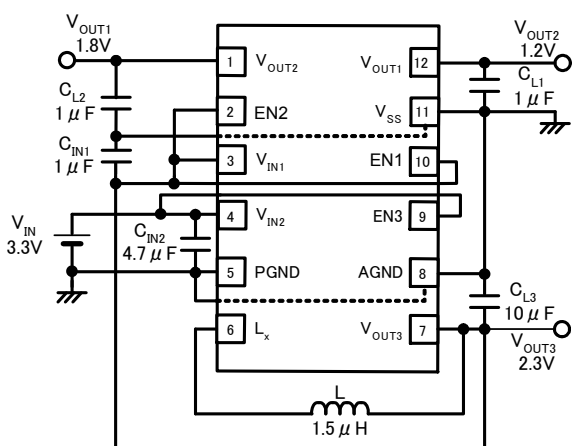
- Maximum Output Current** : 150mA (Limiter 300mA TYP.)
- Dropout Voltage** : 100mV @ 100mA
- Operating Voltage Range** : 1.5V~6.0V
- Output Voltage Range** : 0.8V~5.0V (0.05V increments)
- High Accuracy** : ±2% ($V_{OUT} > 1.5V$)
±30mV ($V_{OUT} = 1.5V$)
- Low Power Consumption** : 25 μA (TYP.)
- Stand-by Current** : Less than 0.1 μA (TYP.)
- High Ripple Rejection** : 70dB @ 1kHz
- Low Output Noise**
- Operating Temperature Range** : -40 ~ +85
- Low ESR Capacitor** : Ceramic Capacitor Compatible
- Package** : USP-12B01

Standard Voltage Combinations	V_{OUT1}	V_{OUT2}	V_{OUT3}
XCM520xx01D	1.8V	1.2V	2.3V
XCM520xx02D	1.8V	1.3V	2.3V
XCM520xx03D	1.8V	1.2V	2.2V
XCM520xx04D	1.8V	1.2V	2.8V
XCM520xx05D	1.0V	1.2V	1.8V
XCM520xx06D	0.8V	1.5V	1.8V

*Other combinations are available as semi-custom products.

Environmentally Friendly : EU RoHS Compliant, Pb Free

TYPICAL APPLICATION CIRCUIT



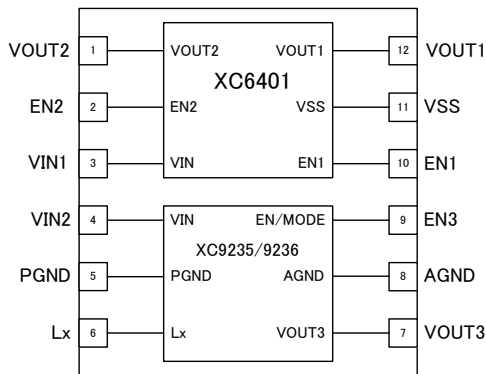
* The dashed lines denote the connection using through-holes at the backside of the PC board.

* The above circuit uses XCM520AA01 series.

* The DC/DC block V_{OUT3} is connected to the dual LDO regulator V_{IN1} in this connection.

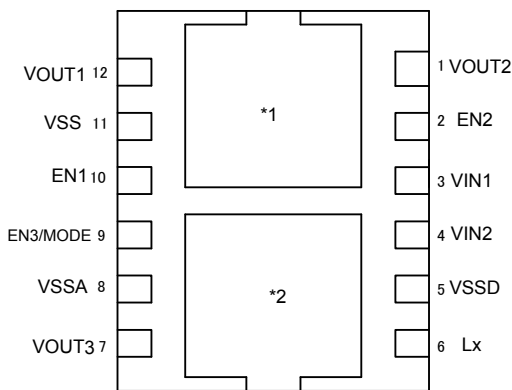
* Also, it is possible to operate two V_{IN} independently.

PIN CONFIGURATION



(TOP VIEW)

PIN No	XCM520	XC6401	XC9235/XC9236
1	V _{OUT2}	V _{OUT2}	
2	EN2	EN2	
3	V _{IN1}	V _{IN}	
4	V _{IN2}		V _{IN}
5	PGND		PGND
6	Lx		Lx
7	V _{OUT3}		V _{OUT}
8	AGND		AGND
9	EN3		CE
10	EN1	EN1	
11	V _{SS}	V _{SS}	
12	V _{OUT1}	V _{OUT1}	



(TOP VIEW)

NOTE:

- * The two heat-sink pads on the back side are electrically isolated in the package.
- *1: The pad of the regulator should be V_{SS} level.
- *2: The pad of the DC/DC should be V_{SS} level.
- * The DC/DC ground pin (No. 5 and 8) should be connected for use.
- * The two pads are recommended to open on the board, but care must be taken for voltage level of each heat-sink pad when they are electrically connected.

PIN ASSIGNMENT

PIN No	XCM520	FUNCTIONS
1	V _{OUT2}	Voltage Regulator Output2
2	EN2	Voltage Regulator ON/OFF Control 2
3	V _{IN1}	Voltage Regulator Power Input
4	V _{IN2}	DC/DC Power Input
5	PGND	DC/DC Power Ground
6	Lx	DC/DC Inductor Pin
7	V _{OUT3}	DC/DC Output Voltage
8	AGND	DC/DC Analog Ground
9	EN3	DC/DC ON/OFF Control
10	EN1	Voltage Regulator ON/OFF Control 1
11	V _{SS}	Voltage Regulator Ground
12	V _{OUT1}	Voltage Regulator Output Voltage 1

PRODUCT CLASSIFICATION

Ordering Information

XCM520 - (*)

DESIGNATOR	DESCRIPTION	SYMBOL	DESCRIPTION
	Options	-	See the chart below
	Output Voltage combination	-	See the chart below
-	Packages Taping Type (*)	DR-G	USP-12B01

(*) The XCM520 series is Halogen and Antimony free as well as being fully RoHS compliant.

(*) The device orientation is fixed in its embossed tape pocket.

DESIGNATOR (Combination of XC6401 series and XC9235/XC9236 series)

DESIGNATOR	COMBINATION OF EACH IC	DESCRIPTION
AA	XC6401FF** + XC9235A**D	Fixed PWM, $f_{OSC}=3.0\text{MHz}$
AB	XC6401FF** + XC9235A**C	Fixed PWM, $f_{OSC}=1.2\text{MHz}$
AC	XC6401FF** + XC9236A**D	Auto PWM/PFM, $f_{OSC}=3.0\text{MHz}$
AD	XC6401FF** + XC9236A**C	Auto PWM/PFM, $f_{OSC}=1.2\text{MHz}$
AE	XC6401FF** + XC9235B**D	Fixed PWM, $f_{OSC}=3.0\text{MHz}$, V_{OUT3} C _L Discharge
AF	XC6401FF** + XC9235B**C	Fixed PWM, $f_{OSC}=1.2\text{MHz}$, V_{OUT3} C _L Discharge
AG	XC6401FF** + XC9236B**D	Auto PWM/PFM, $f_{OSC}=3.0\text{MHz}$, V_{OUT3} C _L Discharge
AH	XC6401FF** + XC9236B**C	Auto PWM/PFM, $f_{OSC}=1.2\text{MHz}$, V_{OUT3} C _L Discharge

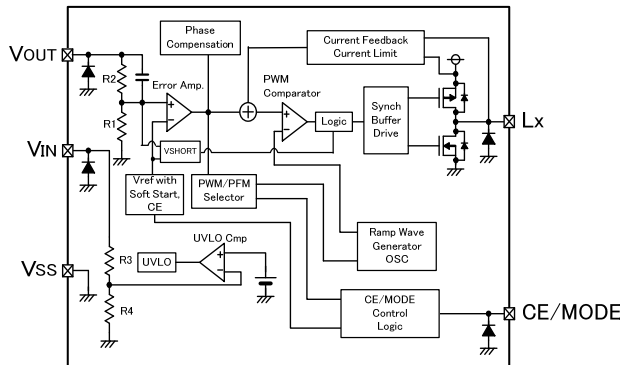
DESIGNATOR (Output Voltage)

③④	$V_{OUT1}(VR_1ch)$	$V_{OUT2}(VR_2ch)$	$V_{OUT3}(DC/DC)$
01	1.8	1.2	2.3
02	1.8	1.3	2.3
03	1.8	1.2	2.2
04	1.8	1.2	2.8
05	1.0	1.2	1.8
06	0.8	1.5	1.8

*This series are semi-custom products. For other combinations of output voltages please consult with your Torex sales contact.

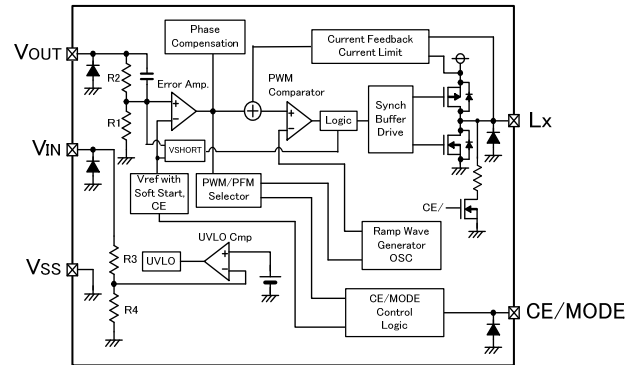
BLOCK DIAGRAMS

XC9235A/XC9236A



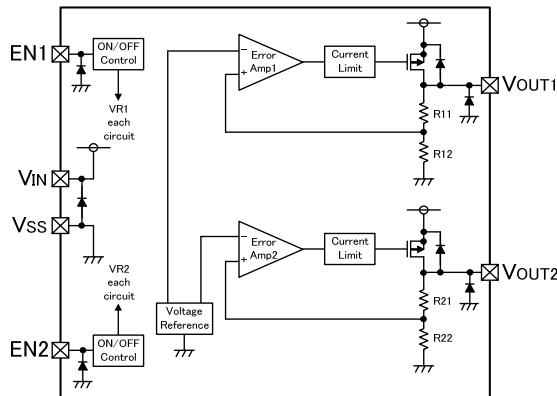
XC9235B/XC9236B

Available with C_L Discharge, High Speed Soft-Start



- * XC9235 control scheme is a fixed PWM because that the "CE/MODE Control Logic" outputs a low level signal to the "PWM/PFM Selector".
- * XC9236 control scheme is an auto PWM/PFM switching because the "CE/MODE Control Logic" outputs a high level signal to the "PWM/PFM Selector".

XC6401FF



*Diodes inside the circuit are an ESD protection diode and a parasitic diode.

MAXIMUM ABSOLUTE RATINGS

PARAMETER	SYMBOL	RATINGS	UNITS
V_{IN1} Voltage	V_{IN1}	6.5	V
V_{OUT} Current	$I_{OUT1}+I_{OUT2}^{*1}$	700 ^{*2}	mA
V_{OUT} Voltage	V_{OUT1} / V_{OUT2}	$V_{SS}-0.3 \sim V_{IN1}+0.3$	V
EN1,EN2 Voltage	V_{EN1} / V_{EN2}	$V_{SS}-0.3 \sim 6.5$	V
V_{IN2} Voltage	V_{IN2}	$-0.3 \sim 6.5$	V
Lx Voltage	V_{LX}	$-0.3 \sim V_{IN2}+0.3 \leq 6.5$	V
V_{OUT3} Voltage	V_{OUT3}	$-0.3 \sim 6.5$	V
EN3 Voltage	V_{EN3}	$-0.3 \sim 6.5$	V
Lx Current	I_{LX}	± 1500	mA
Power Dissipation	USP12-B01	150	mW
	USP12-B01 ^{*3} (PCB mounted)	800 (1ch operate)	
		600 (both 2ch operate)	
Operating Temperature Range	T_{opr}	$-40 \sim +85$	$^{\circ}C$
Storage Temperature Range	T_{stg}	$-55 \sim +125$	$^{\circ}C$

*1. Rating is defined as a total of VR1 and VR2 in the VR bloc.

*2. $P_d > \{ (V_{IN1} - V_{OUT1}) \times I_{OUT1} + (V_{IN1} - V_{OUT2}) \times I_{OUT2} \}$

*3. The power dissipation figure shown is PCB mounted. Please refer to page 41 for details. Also, the power dissipation value above is for each channel.

ELECTRICAL CHARACTERISTICS

XCM520AB, AD (DC/DC BLOCK)

$V_{OUT3} = 1.8V$, $f_{OSC} = 1.2MHz$, $T_a = 25^\circ C$

PARAMETER	SYMBOL	CONDITIONS	MIN.	TYP.	MAX.	UNITS	CIRCUIT
Output Voltage	V_{OUT3}	When connected to external components, $V_{IN2} = V_{EN3} = 5.0V$, $I_{OUT3} = 30mA$	1.764	1.800	1.836	V	
Operating Voltage Range	V_{IN2}		2.7	-	6.0	V	
Maximum Output Current	$I_{OUT3MAX}$	When connected to external components, $V_{IN2} = V_{OUT3(E)} + 2.0V$, $V_{EN3} = 1.0V$ ⁽⁸⁾	600	-	-	mA	
UVLO Voltage	V_{UVLO}	$V_{EN3} = V_{IN2}$, $V_{OUT3} = 0V$, Voltage which Lx pin holding "L" level ^(1, *10)	1.00	1.40	1.78	V	
Supply Current	I_{DD}	$V_{IN2} = V_{EN3} = 5.0V$, $V_{OUT3} = V_{OUT3(E)} \times 1.1V$					
		XCM520AB	-	22	50	μA	
		XCM520AD		15	33		
Stand-by Current	I_{STB}	$V_{IN2} = 5.0V$, $V_{EN3} = 0V$, $V_{OUT3} = V_{OUT3(E)} \times 1.1V$	-	0	1.0	μA	
Oscillation Frequency	f_{OSC}	When connected to external components, $V_{IN2} = V_{OUT3(E)} + 2.0V$, $V_{EN3} = 1.0V$, $I_{OUT3} = 100mA$	1020	1200	1380	kHz	
PFM Switching Current	I_{PFM}	When connected to external components, $V_{IN2} = V_{OUT3(E)} + 2.0V$, $V_{EN3} = V_{IN2}$, $I_{OUT3} = 1mA$ ⁽¹¹⁾	120	160	200	mA	
PFM Duty Limit	DTY_{LIMIT_PFM}	$V_{EN3} = V_{IN2} = (C-1) I_{OUT3} = 1mA$ ⁽¹¹⁾		200	300	%	
Maximum Duty Ratio	D_{MAX}	$V_{IN2} = V_{EN3} = 5.0V$, $V_{OUT3} = V_{OUT3(E)} \times 0.9V$	100	-	-	%	
Minimum Duty Ratio	D_{MIN}	$V_{IN2} = V_{EN3} = 5.0V$, $V_{OUT3} = V_{OUT3(E)} \times 1.1V$	-	-	0	%	
Efficiency ⁽²⁾	EFFI	When connected to external components, $V_{EN3} = V_{IN2} = V_{OUT3(E)} + 1.2V$, $I_{OUT3} = 100mA$ ⁽⁷⁾	-	92	-	%	
Lx SW "H" ON Resistance 1	R_{LxH}	$V_{IN2} = V_{EN3} = 5.0V$, $V_{OUT3} = 0V$, $I_{Lx} = 100mA$ ⁽³⁾	-	0.35	0.55		
Lx SW "H" ON Resistance 2	R_{LxH}	$V_{IN2} = V_{EN3} = 3.6V$, $V_{OUT3} = 0V$, $I_{Lx} = 100mA$ ⁽³⁾	-	0.42	0.67		
Lx SW "L" ON Resistance 1	R_{LxL}	$V_{IN2} = V_{EN3} = 0V$ ⁽⁴⁾	-	0.45	0.66		-
Lx SW "L" ON Resistance 2	R_{LxL}	$V_{IN2} = V_{EN3} = 3.6V$ ⁽⁴⁾	-	0.52	0.77		-
Lx SW "H" Leak Current ⁽⁵⁾	I_{LEAKH}	$V_{IN2} = V_{OUT3} = 5.0V$, $V_{EN3} = 0V$, $Lx = 0V$	-	0.01	1.0	μA	
Lx SW "L" Leak Current ⁽⁵⁾	I_{LEAKL}	$V_{IN2} = V_{OUT3} = 5.0V$, $V_{EN3} = 0V$, $Lx = 5.0V$	-	0.01	1.0	μA	
Current Limit ⁽⁹⁾	I_{LIM}	$V_{IN2} = V_{EN3} = 5.0V$, $V_{OUT3} = V_{OUT3(E)} \times 0.9V$	900	1050	1350	mA	
Output Voltage Temperature Characteristics	$V_{OUT3}/(V_{OUT3} \cdot top_r)$	$V_{OUT3} = 30mA$ -40 Topr 85	-	± 100	-	ppm/	
CE "H" Level Voltage	V_{EN3H}	$V_{OUT3} = 0V$, Applied voltage to V_{EN3} , Voltage changes Lx to "H" level ⁽¹⁰⁾	0.65	-	6.0	V	
CE "L" Level Voltage	V_{EN3L}	$V_{OUT3} = 30V$, Applied voltage to V_{EN3} , Voltage changes Lx to "L" level ⁽¹⁰⁾	V_{SS}	-	0.25	V	
CE "H" Current	I_{EN3H}	$V_{IN2} = V_{EN3} = 5.0V$, $V_{OUT3} = 0V$	- 0.1		0.1	μA	
CE "L" Current	I_{EN3L}	$V_{IN2} = 5.0V$, $V_{EN3} = 0V$, $V_{OUT3} = 0V$	- 0.1		0.1	μA	
Soft Start Time	t_{SS}	When connected to external components, $V_{EN3} = 0V$, V_{IN2} , $V_{OUT3} = 1mA$	0.5	1.0	2.5	ms	
Integral Latch Time	t_{LAT}	$V_{IN2} = V_{EN3} = 5.0V$, $V_{OUT3} = 0.8 \times V_{OUT3(E)}$ Short Lx at 1Ω resistance ⁽⁶⁾	1.0	-	20.0	ms	
Short Protection Threshold Voltage	V_{SHORT}	Sweeping V_{OUT3} , $V_{IN2} = V_{EN3} = 5.0V$, Short Lx at 1Ω resistance, V_{OUT3} voltage which Lx becomes "L" level within 1ms	0.675	0.900	1.125	V	

Test conditions: Unless otherwise stated, $V_{IN2} = 5.0V$, $V_{OUT3(E)} =$ Nominal voltage

NOTE:

- *1: Including hysteresis width of operating voltage.
- *2: $EFFI = \{ (\text{output voltage} \times \text{output current}) / (\text{input voltage} \times \text{input current}) \} \times 100$
- *3: ON resistance () = $(V_{IN2} - Lx \text{ pin measurement voltage}) / 100mA$
- *4: Design value
- *5: When temperature is high, a current of approximately $10 \mu A$ (maximum) may leak.
- *6: Time until it short-circuits V_{OUT3} with GND via 1 of resistor from an operational state and is set to $Lx=0V$ from current limit pulse generating.
- *7: $V_{OUT3(E)} + 1.2V < 2.7V$, $V_{IN2} = 2.7V$.
- *8: When the difference between the input and the output is small, some cycles may be skipped completely before current maximizes.
If current is further pulled from this state, output voltage will decrease because of P-ch driver ON resistance.
- *9: Current limit denotes the level of detection at peak of coil current.
- *10: "H" = $V_{IN2} - V_{IN2} - 1.2V$, "L" = $+ 0.1V \sim - 0.1V$
- *11: XCM520A/B series exclude I_{PFM} and DTY_{LIMIT_PFM} because those are only for the PFM control's functions.
- *The electrical characteristics above are when the voltage regulator block is in stop.

ELECTRICAL CHARACTERISTICS (Continued)

XCM520AA/AC (DC/DC BLOCK)

$V_{OUT3} = 1.8V$, $f_{OSC} = 3.0MHz$, $T_a = 25^\circ C$

PARAMETER	SYMBOL	CONDITIONS	MIN.	TYP.	MAX.	UNITS	CIRCUIT
Output Voltage	V_{OUT3}	When connected to external components, $V_{IN2} = V_{EN3} = 5.0V$, $I_{OUT3} = 30mA$	1.764	1.800	1.836	V	
Operating Voltage Range	V_{IN2}		2.7	-	6.0	V	
Maximum Output Current	$I_{OUT3MAX}$	When connected to external components, $V_{IN2} = V_{OUT3(E)} + 2.0V$, $V_{EN3} = 1.0V$ ^(*8)	600	-	-	mA	
UVLO Voltage	V_{UVLO}	$V_{EN3} = V_{IN2}$, $V_{OUT3} = 0V$, Voltage which Lx pin holding "L" level ^(*1, *10)	1.00	1.40	1.78	V	
Supply Current	I_{DD}	$V_{IN2} = V_{EN3} = 5.0V$, $V_{OUT3} = V_{OUT3(E)} \times 1.1V$ XCM520AA XCM520AC	-	46 21	65 35	μA	
Stand-by Current	I_{STB}	$V_{IN2} = 5.0V$, $V_{EN} = 0V$, $V_{OUT3} = V_{OUT3(E)} \times 1.1V$	-	0	1.0	μA	
Oscillation Frequency	f_{OSC}	When connected to external components, $V_{IN2} = V_{OUT3(E)} + 2.0V$, $V_{EN3} = 1.0V$, $V_{OUT3} = 100mA$	2550	3000	3450	kHz	
PFM Switching Current	I_{PFM}	When connected to external components, $V_{IN2} = V_{OUT3(E)} + 2.0V$, $V_{EN3} = V_{IN2}$, $I_{OUT3} = 1mA$ ^(*11)	170	220	270	mA	
PFM Duty Limit	DTY_{LIMIT_PFM}	$V_{EN3} = V_{IN2} = (C-1) I_{OUT3} = 1mA$ ^(*11)		200	300	%	
Maximum Duty Ratio	D_{MAX}	$V_{IN2} = V_{EN3} = 5.0V$, $V_{OUT3} = V_{OUT3(E)} \times 0.9V$	100	-	-	%	
Minimum Duty Ratio	D_{MIN}	$V_{IN2} = V_{EN3} = 5.0V$, $V_{OUT3} = V_{OUT3(E)} \times 1.1V$	-	-	0	%	
Efficiency ^(*2)	EFFI	When connected to external components, $V_{EN3} = V_{IN2} = V_{OUT3(E)} + 1.2V$, $V_{OUT3} = 100mA$ ^(*7)	-	86	-	%	
Lx SW "H" ON Resistance 1	R_{LxH}	$V_{IN2} = V_{EN3} = 5.0V$, $V_{OUT3} = 0V$, $I_{Lx} = 100mA$ ^(*3)	-	0.35	0.55		
Lx SW "H" ON Resistance 2	R_{LxH}	$V_{IN2} = V_{EN3} = 3.6V$, $V_{OUT3} = 0V$, $I_{Lx} = 100mA$ ^(*3)	-	0.42	0.67		
Lx SW "L" ON Resistance 1	R_{LxL}	$V_{IN2} = V_{EN3} = 5.0V$ ^(*4)	-	0.45	0.66		-
Lx SW "L" ON Resistance 2	R_{LxL}	$V_{IN2} = V_{EN3} = 3.6V$ ^(*4)	-	0.52	0.77		-
Lx SW "H" Leak Current ^(*5)	I_{LEAKH}	$V_{IN2} = V_{OUT3} = 5.0V$, $V_{EN3} = 0V$, $Lx = 0V$	-	0.01	1.0	μA	
Lx SW "L" Leak Current ^(*5)	I_{LEAKL}	$V_{IN2} = V_{OUT3} = 5.0V$, $V_{EN3} = 0V$, $Lx = 5.0V$	-	0.01	1.0	μA	
Current Limit ^(*9)	I_{LIM}	$V_{IN2} = V_{EN3} = 5.0V$, $V_{OUT3} = V_{OUT3(E)} \times 0.9V$	900	1050	1350	mA	
Output Voltage Temperature Characteristics	$V_{OUT3} / (V_{OUT3} \cdot \text{topr})$	$V_{OUT3} = 30mA$ -40 Topr 85	-	± 100	-	ppm/	
EN "H" Level Voltage	V_{ENH}	$V_{OUT3} = 0V$, Applied voltage to V_{EN3} ^(*10) Voltage changes Lx to "H" level ^(*10)	0.65	-	6.0	V	
EN "L" Level Voltage	V_{EN3L}	$V_{OUT3} = 0V$, Applied voltage to V_{EN3} ^(*10) Voltage changes Lx to "L" level ^(*10)	V_{SS}	-	0.25	V	
EN "H" Current	I_{EN3H}	$V_{IN2} = V_{EN3} = 5.0V$, $V_{OUT3} = 0V$	- 0.1	-	0.1	μA	
EN "L" Current	I_{EN3L}	$V_{IN2} = 5.0V$, $V_{EN3} = 0V$, $V_{OUT3} = 0V$	- 0.1	-	0.1	μA	
Soft Start Time	t_{SS}	When connected to external components, $V_{EN3} = 0V$, V_{IN2} , $V_{OUT3} = 1mA$	0.5	0.9	2.5	ms	
Integral Latch Time	t_{LAT}	$V_{IN2} = V_{EN3} = 5.0V$, $V_{OUT3} = 0.8 \times V_{OUT3(E)}$ Short Lx at 1Ω resistance ^(*6)	1.0	-	20.0	ms	
Short Protection Threshold Voltage	V_{SHORT}	Sweeping V_{OUT3} , $V_{IN2} = V_{EN3} = 5.0V$, Short Lx at 1Ω resistance, V_{OUT3} voltage which Lx becomes "L" level within 1ms	0.675	0.900	1.125	V	

Test conditions: Unless otherwise stated, $V_{IN2} = 5.0V$, $V_{OUT3(E)} =$ Nominal voltage

NOTE:

*1: Including hysteresis width of operating voltage.

*2: $EFFI = \{ (\text{output voltage} \times \text{output current}) / (\text{input voltage} \times \text{input current}) \} \times 100$

*3: ON resistance () = $(V_{IN} - Lx \text{ pin measurement voltage}) / 100mA$

*4: Design value

*5: When temperature is high, a current of approximately $10 \mu A$ (maximum) may leak.

*6: Time until it short-circuits V_{OUT3} with GND via 1Ω of resistor from an operational state and is set to $Lx=0V$ from current limit pulse generating.

*7: $V_{OUT3(E)} + 1.2V < 2.7V$, $V_{IN2} = 2.7V$.

*8: When the difference between the input and the output is small, some cycles may be skipped completely before current maximizes.

If current is further pulled from this state, output voltage will decrease because of P-ch driver ON resistance.

*9: Current limit denotes the level of detection at peak of coil current.

*10: "H" = $V_{IN2} - V_{IN2} - 1.2V$, "L" = $+ 0.1V \sim - 0.1V$

*11: XCM520AA series exclude I_{PFM} and DTY_{LIMIT_PFM} because those are only for the PFM control's functions.

*The electrical characteristics above are when the voltage regulator block is in stop.

ELECTRICAL CHARACTERISTICS (Continued)

XCM520AF,AH (DC/DC BLOCK)

$V_{OUT3}=1.8V$, $f_{OSC}=1.2MHz$, $T_a=25^{\circ}C$

PARAMETER	SYMBOL	CONDITIONS	MIN.	TYP.	MAX.	UNITS	CIRCUIT
Output Voltage	V_{OUT3}	When connected to external components, $V_{IN2} = V_{EN3} = 5.0V$, $I_{OUT3} = 30mA$	1.764	1.800	1.836	V	
Operating Voltage Range	V_{IN2}		2.7	-	6.0	V	
Maximum Output Current	$I_{OUT3MAX}$	When connected to external components, $V_{IN2} = V_{OUT3(E)} + 2.0V$, $V_{EN3} = 1.0V$ ⁽⁸⁾	600	-	-	mA	
UVLO Voltage	V_{UVLO}	$V_{EN3} = V_{IN2}$, $V_{OUT3} = 0V$, Voltage which Lx pin holding "L" level ^(11, *10)	1.00	1.40	1.78	V	
Supply Current	I_{DD}	$V_{IN2} = V_{EN3} = 5.0V$, $V_{OUT3} = V_{OUT3(E)} \times 1.1V$	-	22	50	μA	XCM520AF XCM520AH
Stand-by Current	I_{STB}	$V_{IN2} = 5.0V$, $V_{EN3} = 0V$, $V_{OUT3} = V_{OUT3(E)} \times 1.1V$	-	0	1.0	μA	
Oscillation Frequency	f_{OSC}	When connected to external components, $V_{IN2} = V_{OUT3(E)} + 2.0V$, $V_{EN3} = 1.0V$, $V_{OUT3} = 100mA$	1020	1200	1380	kHz	
PFM Switching Current	I_{PFM}	When connected to external components, $V_{IN2} = V_{OUT3(E)} + 2.0V$, $V_{EN3} = V_{IN2}$, $V_{OUT3} = 1mA$ ⁽¹¹⁾	120	160	200	mA	
PFM Duty Limit	DTY_{LIMIT_PFM}	$V_{EN3} = V_{IN2} = (C-1) V_{OUT3} = 1mA$ ⁽¹¹⁾		200	300	%	
Maximum Duty Ratio	D_{MAX}	$V_{IN2} = V_{EN3} = 5.0V$, $V_{OUT3} = V_{OUT3(E)} \times 0.9V$	100	-	-	%	
Minimum Duty Ratio	D_{MIN}	$V_{IN2} = V_{EN3} = 5.0V$, $V_{OUT3} = V_{OUT3(E)} \times 1.1V$	-	-	0	%	
Efficiency ⁽²⁾	EFFI	When connected to external components, $V_{EN3} = V_{IN2} = V_{OUT3(E)} + 1.2V$, $V_{OUT3} = 100mA$ ⁽⁷⁾	-	92	-	%	
Lx SW "H" ON Resistance 1	R_{LxH1}	$V_{IN2} = V_{EN3} = 5.0V$, $V_{OUT3} = 0V$, $I_{Lx} = 100mA$ ⁽³⁾	-	0.35	0.55		
Lx SW "H" ON Resistance 2	R_{LxH2}	$V_{IN2} = V_{EN3} = 3.6V$, $V_{OUT3} = 0V$, $I_{Lx} = 100mA$ ⁽³⁾	-	0.42	0.67		
Lx SW "L" ON Resistance 1	R_{LxL1}	$V_{IN2} = V_{EN3} = 0V$ ⁽⁴⁾	-	0.45	0.66		
Lx SW "L" ON Resistance 2	R_{LxL2}	$V_{IN2} = V_{EN3} = 3.6V$ ⁽⁴⁾	-	0.52	0.77		
Lx SW "H" Leak Current ⁽⁵⁾	I_{LEAKH}	$V_{IN2} = V_{OUT3} = 5.0V$, $V_{EN3} = 0V$, $Lx = 0V$	-	0.01	1.0	μA	
Current Limit ⁽⁹⁾	I_{LIM}	$V_{IN2} = V_{EN3} = 5.0V$, $V_{OUT3} = V_{OUT3(E)} \times 0.9V$	900	1050	1350	mA	
Output Voltage Temperature Characteristics	$V_{OUT3} / (V_{OUT3} \cdot topf)$	$I_{OUT3} = 30mA$ -40 Topr 85	-	± 100	-	ppm/	
EN "H" Level Voltage	V_{ENH}	$V_{OUT3} = 0V$, Applied voltage to V_{EN3} , Voltage changes Lx to "H" level ⁽¹⁰⁾	0.65	-	6.0	V	
EN "L" Level Voltage	V_{EN3L}	$V_{OUT3} = 0V$, Applied voltage to V_{EN3} , Voltage changes Lx to "L" level ⁽¹⁰⁾	V_{SS}	-	0.25	V	
EN "H" Current	I_{EN3H}	$V_{IN2} = V_{EN3} = 5.0V$, $V_{OUT3} = 0V$	- 0.1	-	0.1	μA	
EN "L" Current	I_{EN3L}	$V_{IN2} = 5.0V$, $V_{EN3} = 0V$, $V_{OUT3} = 0V$	- 0.1	-	0.1	μA	
Soft Start Time	t_{SS}	When connected to external components, $V_{EN3} = 0V$, V_{IN2} , $V_{OUT3} = 1mA$	-	0.25	0.4	ms	
Integral Latch Time	t_{LAT}	$V_{IN2} = V_{EN3} = 5.0V$, $V_{OUT3} = 0.8 \times V_{OUT3(E)}$ Short Lx at 1 Ω resistance ⁽⁶⁾	1.0	-	20.0	ms	
Short Protection Threshold Voltage	V_{SHORT}	Sweeping V_{OUT3} , $V_{IN2} = V_{EN3} = 5.0V$, Short Lx at 1 Ω resistance, V_{OUT3} voltage which Lx becomes "L" level within 1ms	0.675	0.900	1.150	V	
C_L Discharge	R_{DCHG}	$V_{IN2} = 5.0V$, $Lx = 5.0V$, $V_{EN3} = 0V$, $V_{OUT3} = open$	200	300	450		

Test conditions: Unless otherwise stated, $V_{IN2} = 5.0V$, $V_{OUT3(E)} =$ Nominal voltage

NOTE:

*1: Including hysteresis width of operating voltage.

*2: $EFFI = \{ (\text{output voltage} \times \text{output current}) / (\text{input voltage} \times \text{input current}) \} \times 100$

*3: ON resistance () = $(V_{IN2} - Lx \text{ pin measurement voltage}) / 100mA$

*4: Design value

*5: When temperature is high, a current of approximately 10 μA (maximum) may leak.

*6: Time until it short-circuits V_{OUT3} with GND via 1 Ω of resistor from an operational state and is set to $Lx=0V$ from current limit pulse generating.

*7: $V_{OUT3(E)} + 1.2V < 2.7V$, $V_{IN2} = 2.7V$.

*8: When the difference between the input and the output is small, some cycles may be skipped completely before current maximizes.
If current is further pulled from this state, output voltage will decrease because of P-ch driver ON resistance.

*9: Current limit denotes the level of detection at peak of coil current.

*10: "H" = $V_{IN2} - V_{IN2} - 1.2V$, "L" = $+ 0.1V \sim - 0.1V$

*11: XCM520AF series exclude I_{PFM} and D_{LIMIT_PFM} because those are only for the PFM control's functions.

*The electrical characteristics above are when the voltage regulator block is in stop.

ELECTRICAL CHARACTERISTICS (Continued)

XCM520AE,AG (DC/DC BLOCK)

$V_{OUT3}=1.8V$, $f_{OSC}=3.0MHz$, $T_a=25^{\circ}C$

PARAMETER	SYMBOL	CONDITIONS	MIN.	TYP.	MAX.	UNITS	CIRCUIT
Output Voltage	V_{OUT3}	When connected to external components, $V_{IN2} = V_{EN3} = 5.0V$, $I_{OUT3} = 30mA$	1.764	1.800	1.836	V	
Operating Voltage Range	V_{IN2}		2.7	-	6.0	V	
Maximum Output Current	$V_{OUT3MAX}$	When connected to external components, $V_{IN2}=V_{OUT3(E)}+2.0V, V_{EN3}=1.0V$ ^(*8)	600	-	-	mA	
UVLO Voltage	V_{UVLO}	$V_{EN3} = V_{IN2}$, $V_{OUT3} = 0V$, Voltage which Lx pin holding "L" level ^(*1, *10)	1.00	1.40	1.78	V	
Supply Current	I_{DD}	$V_{IN2}=V_{EN3}=5.0V$, $V_{OUT3} = V_{OUT3(E)} \times 1.1V$	-	46 21	65 35	μA	XCM520AE XCM520AG
Stand-by Current	I_{STB}	$V_{IN2} = 5.0V$, $V_{EN3} = 0V$, $V_{OUT3} = V_{OUT3(E)} \times 1.1V$	-	0	1.0	μA	
Oscillation Frequency	f_{OSC}	When connected to external components, $V_{IN2} = V_{OUT3(E)} + 2.0V$, $V_{EN3}=1.0V$, $V_{OUT3} = 100mA$	2550	3000	3450	kHz	
PFM Switching Current	I_{PFM}	When connected to external components, $V_{IN2} = V_{OUT3(E)} + 2.0V$, $V_{EN3} = V_{IN2}$, $V_{OUT3} = 1mA$ ^(*11)	170	220	270	mA	
PFM Duty Limit	DTY_{LIMIT_PFM}	$V_{EN3} = V_{IN2} = (C-1) V_{OUT3} = 1mA$ ^(*11)	-	200	300	%	
Maximum Duty Ratio	D_{MAX}	$V_{IN2} = V_{EN3} = 5.0V$, $V_{OUT3} = V_{OUT3(E)} \times 0.9V$	100	-	-	%	
Minimum Duty Ratio	D_{MIN}	$V_{IN2} = V_{EN3} = 5.0V$, $V_{OUT3} = V_{OUT3(E)} \times 1.1V$	-	-	0	%	
Efficiency ^(*2)	EFFI	When connected to external components, $V_{EN3} = V_{IN2} = V_{OUT3(E)} + 1.2V$, $V_{OUT3} = 100mA$	-	86	-	%	
Lx SW "H" ON Resistance 1	R_{LxH1}	$V_{IN2} = V_{EN3} = 5.0V$, $V_{OUT3} = 0V$, $I_{LX} = 100mA$ ^(*3)	-	0.35	0.55		
Lx SW "H" ON Resistance 2	R_{LxH2}	$V_{IN2} = V_{EN3} = 3.6V$, $V_{OUT3} = 0V$, $I_{LX} = 100mA$ ^(*3)	-	0.42	0.67		
Lx SW "L" ON Resistance 1	R_{LxL1}	$V_{IN2} = V_{EN3} = 0V$ ^(*4)	-	0.45	0.66		
Lx SW "L" ON Resistance 2	R_{LxL2}	$V_{IN2} = V_{EN3} = 3.6V$ ^(*4)	-	0.52	0.77		
Lx SW "H" Leak Current ^(*5)	I_{LEAKH}	$V_{IN2} = V_{OUT3} = 5.0V$, $V_{EN3} = 0V$, $Lx=0V$	-	0.01	1.0	μA	
Current Limit ^(*9)	I_{LIM}	$V_{IN2} = V_{EN3} = 5.0V$, $V_{OUT3} = V_{OUT3(E)} \times 0.9V$ ^(*7)	900	1050	1350	mA	
Output Voltage Temperature Characteristics	$V_{OUT3}/(V_{OUT3} \cdot top_r)$	$I_{OUT3} = 30mA$ -40 Topr 85	-	± 100	-	ppm/	
EN "H" Level Voltage	V_{EN3H}	$V_{OUT3} = 0V$, Applied voltage to V_{EN3} , Voltage changes Lx to "H" level ^(*10)	0.65	-	6.0	V	
EN "L" Level Voltage	V_{EN3L}	$V_{OUT3} = 0V$, Applied voltage to V_{EN3} , Voltage changes Lx to "L" level ^(*10)	V_{SS}	-	0.25	V	
EN "H" Current	I_{EN3H}	$V_{IN2} = V_{EN3} = 5.0V$, $V_{OUT3} = 0V$	- 0.1	-	0.1	μA	
EN "L" Current	I_{EN3L}	$V_{IN2} = 5.0V$, $V_{EN3} = 0V$, $V_{OUT3} = 0V$	- 0.1	-	0.1	μA	
Soft Start Time	t_{SS}	When connected to external components, $V_{EN3} = 0V$, $V_{IN2}, V_{OUT3} = 1mA$	-	0.32	0.5	ms	
Integral Latch Time	t_{LAT}	$V_{IN2} = V_{EN3} = 5.0V$, $V_{OUT3} = 0.8 \times V_{OUT3(E)}$ Short Lx at 1Ω resistance ^(*6)	1.0	-	20.0	ms	
Short Protection Threshold Voltage	V_{SHORT}	Sweeping V_{OUT3} , $V_{IN2} = V_{EN3} = 5.0V$, Short Lx at 1Ω resistance, V_{OUT3} voltage which Lx becomes "L" level within 1ms	0.675	0.900	1.150	V	
C_L Discharge	R_{DCHG}	$V_{IN2} = 5.0V$, $Lx = 5.0V$, $V_{EN3} = 0V$, $V_{OUT3} = open$	200	300	450		

Test conditions: Unless otherwise stated, $V_{IN2} = 5.0V$, $V_{OUT3(E)} =$ Nominal voltage

NOTE:

*1: Including hysteresis width of operating voltage.

*2: $EFFI = \{ (output\ voltage \times output\ current) / (input\ voltage \times input\ current) \} \times 100$

*3: ON resistance () = $(V_{IN} - Lx\ pin\ measurement\ voltage) / 100mA$

*4: Design value

*5: When temperature is high, a current of approximately $10\ \mu A$ (maximum) may leak.

*6: Time until it short-circuits V_{OUT3} with GND via 1 of resistor from an operational state and is set to $Lx=0V$ from current limit pulse generating.

*7: $V_{OUT3(E)}+1.2V < 2.7V$, $V_{IN2}=2.7V$.

*8: When the difference between the input and the output is small, some cycles may be skipped completely before current maximizes. If current is further pulled from this state, output voltage will decrease because of P-ch driver ON resistance.

*9: Current limit denotes the level of detection at peak of coil current.

*10: "H" = $V_{IN2} \sim V_{IN2} - 1.2V$, "L" = $+0.1V \sim -0.1V$

*11: XCM520AE series exclude I_{PFM} and DTY_{LIMIT_PFM} because those are only for the PFM control's functions.

*The electrical characteristics above are when the voltage regulator block is in stop.

ELECTRICAL CHARACTERISTICS (Continued)

PFM Switching Current (I_{PFM}) by Oscillation Frequency and Output Voltage

1.2MHz (mA)

SETTING VOLTAGE	MIN.	TYP.	MAX.
$V_{OUT3(E)} \leq 1.2V$	140	180	240
$1.2V < V_{OUT3(E)} \leq 1.75V$	130	170	220
$1.8V \leq V_{OUT3(E)}$	120	160	200

3.0MHz (mA)

SETTING VOLTAGE	MIN.	TYP.	MAX.
$V_{OUT3(E)} \leq 1.2V$	190	260	350
$1.2V < V_{OUT3(E)} \leq 1.75V$	180	240	300
$1.8V \leq V_{OUT3(E)}$	170	220	270

Measuring PFM Duty Limit, V_{IN2} Voltage

f_{OSC}	1.2MHz	3.0MHz
(C-1)	$V_{OUT3(E)}+0.5V$	$V_{OUT3(E)}+1.0V$

Minimum operating voltage is 2.7V

ex.) Although when $V_{OUT3(E)} = 1.2V$, $f_{OSC} = 1.2MHz$, (C-1) = 1.7V the (C-1) becomes 2.7V because of the minimum operating voltage 2.7V.

Soft-Start Time Chart (XCM520AE/XCM520AF/XCM520AG/XCM520AH Series Only)

PRODUCT SERIES	f_{OSC}	OUTPUT VOLTAGE	MIN.	TYP.	MAX.	UNITS
XCM520AF	1200kHz	0.8 $V_{OUT3(E)} < 1.5$	-	0.25	0.4	ms
	1200kHz	1.5 $V_{OUT3(E)} < 1.8$	-	0.32	0.5	
	1200kHz	1.8 $V_{OUT3(E)} < 2.5$	-	0.25	0.4	
	1200kHz	2.5 $V_{OUT3(E)} < 4.0$	-	0.32	0.5	
XCM520AH	1200kHz	0.8 $V_{OUT3(E)} < 2.5$	-	0.25	0.4	
	1200kHz	2.5 $V_{OUT3(E)} < 4.0$	-	0.32	0.5	
XCM520AE/AG	3000kHz	0.8 $V_{OUT3(E)} < 1.8$	-	0.25	0.4	
	3000kHz	1.8 $V_{OUT3(E)} < 4.0$	-	0.32	0.5	

ELECTRICAL CHARACTERISTICS (Continued)

XCM520 Series VR Block (VR1/VR2: EN_ Active High, without Pull-down resistors)

Ta=25°C

PARAMETER	SYMBOL	CONDITIONS	MIN.	TYP.	MAX.	UNITS	CIRCUIT	
Output Voltage	V _{OUT(E)} ^(*2)	I _{OUT} =30mA	V _{OUT(T)} ≥ 1.5V	X0.98 ^(*3)	V _{OUT(T)} ^(*4)	X1.02 ^(*3)	V	⑩
			V _{OUT(T)} < 1.5V	-0.03 ^(*3)		+0.03 ^(*3)		
Maximum Output Current	I _{OUTMAX}	V _{IN1} =V _{OUT(T)} + 1.0V	150	-	-	mA	⑩	
Load Regulation	V _{OUT}	1mA I _{OUT} 100mA	-	15	60	mV	⑩	
Dropout Voltage ^(*5)	V _{dif1}	I _{OUT} =30mA	E-1			mV	⑩	
	V _{dif2}	I _{OUT} =100mA	E-2			mV		
Supply Current	I _{SS}	V _{IN1} =V _{EN} =V _{OUT(T)} + 1.0V, I _{OUT} =0mA	-	25	45	μA	⑫	
Stand-by Current	I _{STB}	V _{IN1} =V _{OUT(T)} + 1.0V, V _{EN} =V _{SS}	-	0.01	0.10	μA	⑪	
Input Regulation ^(*8)	V _{OUT} /	V _{OUT(T)} +1.0V V _{IN1} 6.0V	-	0.01	0.20	% / V	⑩	
	(V _{IN1} · V _{OUT})	V _{EN} =V _{IN1} , I _{OUT} =30mA						
Input Voltage	V _{IN1}		1.5	-	6.0	V	-	
Output Voltage Temperature Characteristics	V _{OUT} /	I _{OUT} =30mA	-	±100	-	ppm/	⑩	
	(Topr · V _{OUT})	-40 Topr 85						
Ripple Rejection ^(*9)	PSRR	V _{IN1} =[V _{OUT(T)} +1.0]VDC+0.5Vp-pAC I _{OUT} =30mA, f=1kHz	-	70	-	dB	⑬	
Limit Current	I _{LIM}	V _{IN1} =V _{OUT(T)} + 1.0V, V _{EN} =V _{IN1}	-	300	-	mA	⑩	
Short Current	I _{SHORT}	V _{IN1} =V _{OUT(T)} + 1.0V, V _{EN} =V _{IN1}	-	30	-	mA	⑩	
EN "H" Level Voltage	V _{ENH}		1.30	-	6	V	⑭	
EN "L" Level Voltage	V _{ENL}		-	-	0.25	V	⑭	
EN "H" Level Current	I _{ENH}	V _{IN1} =V _{EN} =V _{OUT(T)} + 1.0V	-0.10	-	0.10	μA	⑭	
EN "L" Level Current	I _{ENL}	V _{IN1} = V _{OUT(T)} + 1.0V, V _{EN} =V _{SS}	-0.10	-	0.10	μA	⑭	

NOTE:

*1 : Unless otherwise stated, V_{IN1}=V_{OUT(T)}+1.0V

*2 : V_{OUT(E)} : Effective output voltage

(I.e. the output voltage when "V_{OUT(T)} + 1.0V" is provided at the V_{IN} pin while maintaining a certain I_{OUT} value).

*3 : Please see the Voltage Chart for each voltage of V_{OUT(E)}. If V_{OUT(T)} ≤ 1.45V, MIN V_{OUT(T)} - 30mV, MAX V_{OUT(T)} + 30mV

*4 : V_{OUT(T)} : Nominal output voltage

*5 : V_{dif}={V_{INa}^(*7)-V_{OUTa}^(*6)}

*6 : V_{OUTa}=A voltage equal to 98% of the output voltage whenever an amply stabilized I_{OUT} {V_{OUT(T)}+1.0V} is input.

*7 : V_{IN1}=The input voltage when V_{OUT1} appears as input voltage is gradually decreased.

*8 : When V_{OUT(T)} ≥ 4.5V, 5.5V ≤ V_{IN1} ≤ 6.0V

*9 : When V_{OUT(T)} 4.8V, V_{IN1}=5.75V_{DC}+0.5Vp-pAC

*The electrical characteristics above are when the DC/DC block is in stop.

OUTPUT VOLTAGE CHART

Voltage Chart 1

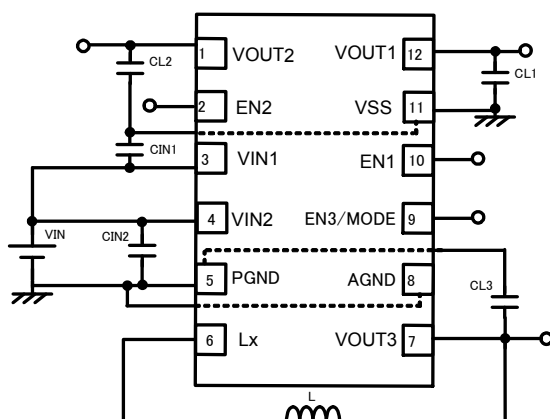
NOMINAL OUTPUT VOLTAGE	OUTPUT VOLTAGE (V)		E-1		E-2	
			DROPOUT VOLTAGE 1 (mV)		DROPOUT VOLTAGE 2 (mV)	
(V)	V_{OUT}		V_{dif1}		V_{dif2}	
$V_{OUT(T)}$	MIN.	MAX.	TYP.	MAX.	TYP.	MAX.
0.80	0.770	0.830	300	700	400	800
0.85	0.820	0.880				
0.90	0.870	0.930	200	600	350	700
0.95	0.920	0.980				
1.00	0.970	1.030	100	500	270	600
1.05	1.020	1.080				
1.10	1.070	1.130	80	400	240	500
1.15	1.120	1.180				
1.20	1.170	1.230	65	300	200	400
1.25	1.220	1.280				
1.30	1.270	1.330	60	200	180	300
1.35	1.320	1.380				
1.40	1.370	1.430	55	100	165	250
1.45	1.420	1.480				
1.50	1.470	1.530	50	75	150	200
1.55	1.519	1.581				
1.60	1.568	1.632				
1.65	1.617	1.683				
1.70	1.666	1.734				
1.75	1.715	1.785	45	65	140	180
1.80	1.764	1.836				
1.85	1.813	1.887				
1.90	1.862	1.938				
1.95	1.911	1.989				
2.00	1.960	2.040	40	60	120	170
2.05	2.009	2.091				
2.10	2.058	2.142				
2.15	2.107	2.193				
2.20	2.156	2.244				
2.25	2.205	2.295				
2.30	2.254	2.346				
2.35	2.303	2.397				
2.40	2.352	2.448				
2.45	2.401	2.499				
2.50	2.450	2.550	35	55	110	160
2.55	2.499	2.601				
2.60	2.548	2.652				
2.65	2.597	2.703				
2.70	2.646	2.754				
2.75	2.695	2.805				
2.80	2.744	2.856				
2.85	2.793	2.907				
2.90	2.842	2.958				
2.95	2.891	3.009				

DROPOUT VOLTAGE CHART (Continued)

Voltage Chart 2

NOMINAL OUTPUT VOLTAGE (V)	OUTPUT VOLTAGE (V)		E-1		E-2	
			DROPOUT VOLTAGE 1 (mV)		DROPOUT VOLTAGE 2 (mV)	
$V_{OUT(T)}$	V_{OUT}		V_{dif1}		V_{dif2}	
	MIN.	MAX.	TYP.	MAX.	TYP.	MAX.
3.00	2.940	3.060	30	45	100	150
3.05	2.989	3.111				
3.10	3.038	3.162				
3.15	3.087	3.213				
3.20	3.136	3.264				
3.25	3.185	3.315				
3.30	3.234	3.366				
3.35	3.283	3.417				
3.40	3.332	3.468				
3.45	3.381	3.519				
3.50	3.430	3.570				
3.55	3.479	3.621				
3.60	3.528	3.672				
3.65	3.577	3.723				
3.70	3.626	3.774				
3.75	3.675	3.825				
3.80	3.724	3.876				
3.85	3.773	3.927				
3.90	3.822	3.978				
3.95	3.871	4.029				
4.00	3.920	4.080				
4.05	3.969	4.131				
4.10	4.018	4.182				
4.15	4.067	4.233				
4.20	4.116	4.284				
4.25	4.165	4.335				
4.30	4.214	4.386				
4.35	4.263	4.437				
4.40	4.312	4.488				
4.45	4.361	4.539				
4.50	4.410	4.590				
4.55	4.459	4.641				
4.60	4.508	4.692				
4.65	4.557	4.743				
4.70	4.606	4.794				
4.75	4.655	4.845				
4.80	4.704	4.896				
4.85	4.753	4.947				
4.90	4.802	4.998				
4.95	4.851	5.049				
5.00	4.900	5.100				

TYPICAL APPLICATION CIRCUIT



DC/DC BLOCK $f_{OSC}=3.0\text{MHz}$

C_{IN1}	:	1 μF	(Ceramic)
C_{L1}	:	1 μF	(Ceramic)
C_{L2}	:	1 μF	(Ceramic)
L	:	1.5 μH	(NR3015 TAIYO YUDEN)
C_{IN2}	:	4.7 μF	(Ceramic)
C_{L2}	:	10 μF	(Ceramic)

DC/DC BLOCK $f_{OSC}=1.2\text{MHz}$

C_{IN1}	:	1 μF	(Ceramic)
C_{L1}	:	1 μF	(Ceramic)
C_{L2}	:	1 μF	(Ceramic)
L	:	4.7 μH	(NR4018 TAIYO YUDEN)
C_{IN2}	:	4.7 μF	(Ceramic)
C_{L2}	:	10 μF	(Ceramic)

OPERATIONAL EXPLANATION

DC/DC BLOCK

The DC/DC block of the XCM520 series consists of a reference voltage source, ramp wave circuit, error amplifier, PWM comparator, phase compensation circuit, output voltage adjustment resistors, P-channel MOSFET driver transistor, N-channel MOSFET switching transistor for the synchronous switch, current limiter circuit, UVLO circuit and others. (See the block diagram above.)

By using the error amplifier, the voltage of the internal voltage reference source is compared with the feedback voltage from the V_{OUT3} pin through split resistors, R1 and R2. Phase compensation is performed on the resulting error amplifier output, to input a signal to the PWM comparator to determine the turn-on time during PWM operation. The PWM comparator compares, in terms of voltage level, the signal from the error amplifier with the ramp wave from the ramp wave circuit, and delivers the resulting output to the buffer driver circuit to cause the Lx pin to output a switching duty cycle. This process is continuously performed to ensure stable output voltage.

The current feedback circuit monitors the P-channel MOS driver transistor current for each switching operation, and modulates the error amplifier output signal to provide multiple feedback signals. This enables a stable feedback loop even when a low ESR capacitor such as a ceramic capacitor is used ensuring stable output voltage.

<Reference Voltage Source>

The reference voltage source provides the reference voltage to ensure stable output voltage of the DC/DC converter.

<Ramp Wave Circuit>

The ramp wave circuit determines switching frequency. The frequency is fixed internally and can be selected from 1.2MHz or 3.0MHz. Clock pulses generated in this circuit are used to produce ramp waveforms needed for PWM operation, and to synchronize all the internal circuits.

<Error Amplifier>

The error amplifier is designed to monitor output voltage. The amplifier compares the reference voltage with the feedback voltage divided by the internal split resistors, R1 and R2. When a voltage is lower than the reference voltage is fed back, the output voltage of the error amplifier increases. The gain and frequency characteristics of the error amplifier output are fixed internally to deliver an optimized signal to the mixer.

OPERATIONAL EXPLANATION (Continued)

<Current Limit>

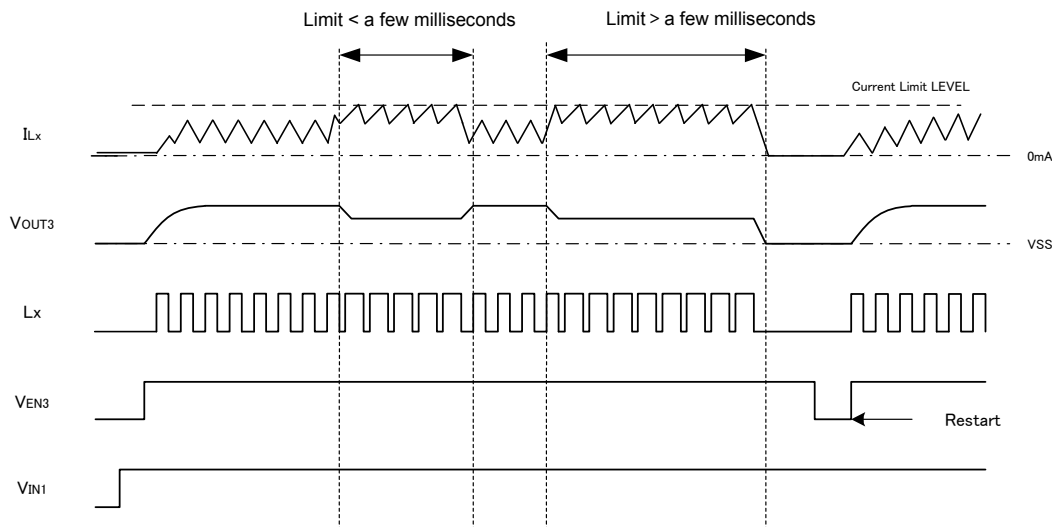
The current limiter circuit of the XCM520 series monitors the current flowing through the P-channel MOS driver transistor connected to the Lx pin, and features a combination of the current limit mode and the operation suspension mode.

When the driver current is greater than a specific level, the current limit function operates to turn off the pulses from the Lx pin at any given timing.

When the P-channel MOS driver transistor is turned off, the limiter circuit is then released from the current limit detection state. At the next pulse, the P-channel MOS driver transistor is turned on. However, the P-channel MOS driver transistor is immediately turned off in the case of an over current state.

When the over current state is eliminated, the IC resumes its normal operation.

The IC waits for the over current state to end by repeating the steps through . If an over current state continues for a few milliseconds and the above three steps are repeatedly performed, the IC performs the function of latching the OFF state of the P-channel MOS driver transistor, and goes into operation suspension mode. Once the IC is in suspension mode, operations can be resumed by either turning the IC off via the EN3 pin, or by restoring power to the V_{IN2} pin. The suspension mode does not mean a complete shutdown, but a state in which pulse output is suspended; therefore, the internal circuitry remains in operation. The current limit of the XCM520 series can be set at 1050mA at typical. Besides, care must be taken when laying out the PC Board, in order to prevent miss-operation of the current limit mode. Depending on the state of the PC Board, latch time may become longer and latch operation may not work. In order to avoid the effect of noise, the board should be laid out so that input capacitors are placed as close to the IC as possible.



<Short-Circuit Protection>

The short-circuit protection circuit monitors the internal R1 and R2 divider voltage from the V_{OUT3} pin. In case where output is accidentally shorted to the ground and when the FB point voltage decreases less than half of the reference voltage (V_{ref}) and a current more than the I_{LIM} flows to the driver transistor, the short-circuit protection quickly operates to turn off and to latch the driver transistor. In latch state, the operation can be resumed by either turning the IC off and on via the EN3 pin, or by restoring power supply to the V_{IN2} pin.

When sharp load transient happens, a voltage drop at the V_{OUT3} pin is propagated to FB point through C_{FB}, as a result, short circuit protection may operate in the voltage higher than 1/2 V_{OUT3} voltage.

<UVLO Circuit>

When the V_{IN2} pin voltage becomes 1.4V or lower, the P-channel MOS driver transistor is forced OFF to prevent false pulse output caused by unstable operation of the internal circuitry. When the V_{IN2} pin voltage becomes 1.8V or higher, switching operation takes place. By releasing the UVLO function, the IC performs the soft start function to initiate output startup operation. The soft start function operates even when the V_{IN} pin voltage falls momentarily below the UVLO operating voltage. The UVLO circuit does not cause a complete shutdown of the IC, but causes pulse output to be suspended; therefore, the internal circuitry remains in operation.

OPERATIONAL EXPLANATION (Continued)

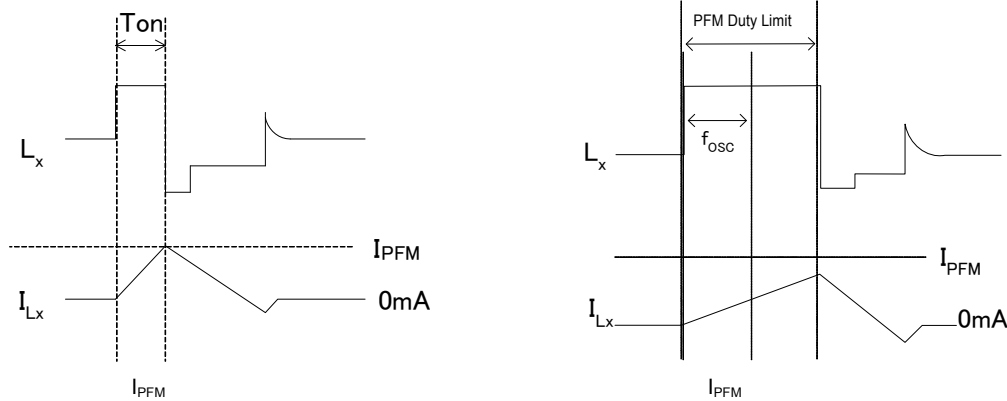
<PFM Switch Current>

In the PFM control operation, until coil current reaches to a specified level (I_{PFM}), the IC keeps the P-channel MOSFET on. In this case, on-time (t_{ON}) that the P-channel MOSFET is kept on can be given by the following formula.

$$t_{ON} = L \times I_{PFM} / (V_{IN2} - V_{OUT3})$$

<PFM Duty Limit>

In the PFM control operation, the PFM duty limit (D_{LIMIT_PFM}) is set to 200% (TYP.). Therefore, under the condition that the duty increases (e.g. the condition that the step-down ratio is small), it's possible for P-channel MOS driver transistor to be turned off even when coil current doesn't reach to I_{PFM} .



< C_L High Speed Discharge >

XCM520AE/ XCM5AF/XCM520AG/XCM520AH series can quickly discharge the electric charge at the output capacitor (C_L) when a low signal to the CE pin which enables a whole IC circuit put into OFF state, is inputted via the N-channel transistor located between the L_X pin and the V_{SS} pin. When the IC is disabled, electric charge at the output capacitor (C_L) is quickly discharged so that it may avoid application malfunction. Discharge time of the output capacitor (C_L) is set by the C_L auto-discharge resistance (R) and the output capacitor (C_L). By setting time constant of a C_L auto-discharge resistance value [R] and an output capacitor value (C_L) as

($\tau = C \times R$), discharge time of the output voltage after discharge via the N-channel transistor is calculated by the following formula.

$$V = V_{OUT3(E)} \times e^{-t/\tau} \text{ or } t = \tau \times \ln(V_{OUT3(E)} / V)$$

Where;

V : Output voltage after discharge

$V_{OUT3(E)}$: Output voltage

t: Discharge time

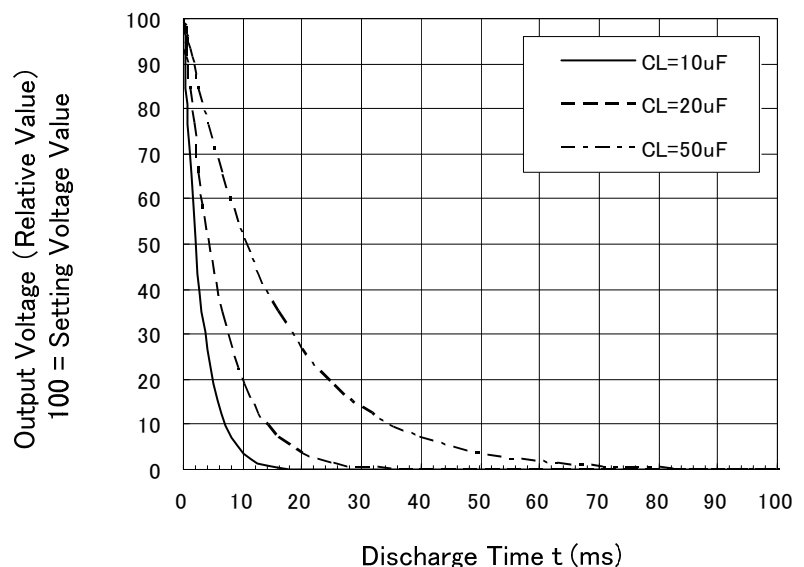
$\tau = C \times R$

C= Capacitance of Output capacitor (C_L)

R= C_L auto-discharge resistance

Output Voltage Discharge Characteristics

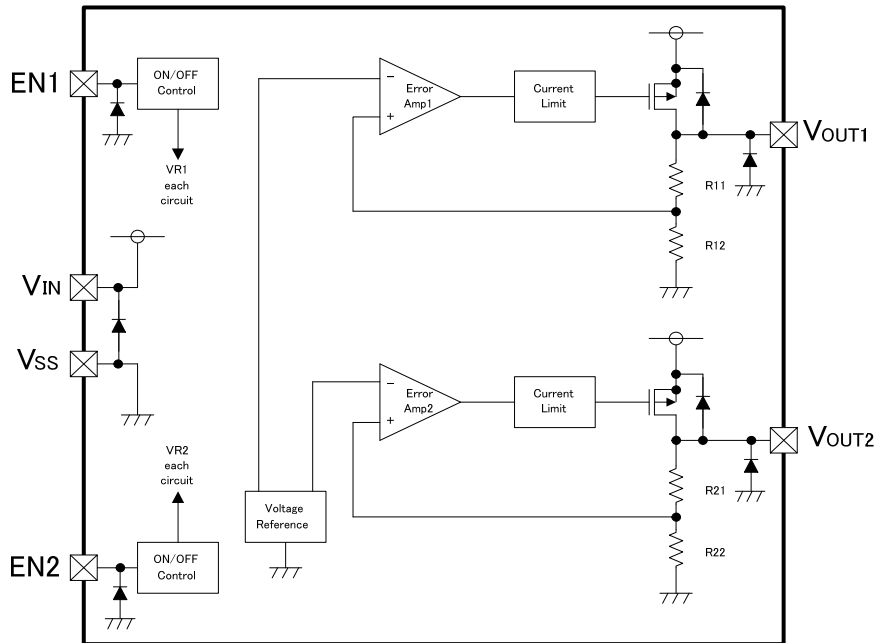
$$R_{DCHG} = 300\Omega \text{ (TYP)}$$



OPERATIONAL EXPLANATION (Continued)

Voltage Regulator BLOCK

The voltage divided by resistors R1 and R2 is compared with the internal reference voltage by the error amplifier. The P-channel MOSFETs, which are connected to the V_{OUT} pin, are then driven by the subsequent output signal. The output voltages at the V_{OUT} pin is controlled and stabilized by a system of negative feedback. The current limit circuit and short protect circuit operate in relation to the level of output current. Further, the IC's internal circuitry can be shutdown via the EN pin's signal.



< Low ESR Capacitors >

With the XCM520 series, a stable output voltage is achievable even if used with low ESR capacitors as a phase compensation circuit is built-in. In order to ensure the effectiveness of the phase compensation, we suggest that output capacitor (C_L) is connected as close as possible to the output pins (V_{OUT}) and the V_{SS} pin. Please use an output capacitor with a capacitance value of at least 1 μ F. Also, please connect an input capacitor (C_{IN1}) of 1 μ F between the V_{IN1} pin and the V_{SS} pin in order to ensure a stable power input.

< Current Limiter, Short-Circuit Protection >

The XCM520 series includes a combination of a fixed current limiter circuit and a fold-back circuit which aid the operations of the current limiter and circuit protection. When the load current reaches the current limit level, the fixed current limiter circuit operates and output voltage drops. As a result of this drop in output voltage, the fold-back circuit start to operate, output voltage drops further and output current decreases. When the output pin is shorted, a current of about 30mA flows.

< EN Pins >

The IC's internal circuitry can be shutdown via the signal from the EN pin with the XCM520 series. In shutdown state, output at the V_{OUT} pin will be pulled down to the V_{SS} level via R1 and R2. The operational logic of the IC's EN pin is selectable (please refer to the selection guide). Note that as the standard type's regulator 1 and 2 are both 'High Active/No Pull Down', operations will become unstable with the EN pin open. Although the EN pin is equal to an inverter input with CMOS hysteresis, with either the pull-up or pull-down options, the EN pin input current will increase when the IC is in operation. We suggest that you use this IC with either a V_{IN1} voltage or a V_{SS} voltage input at the EN pin. If this IC is used with the correct specifications for the EN pin, the operational logic is fixed and the IC will operate normally. However, supply current may increase as a result of through current in the IC's internal circuitry.

NOTES ON USE

<DC/DC BLOCK>

- The XCM520 series is designed for use with ceramic output capacitors. If, however, the potential difference is too large between the input voltage and the output voltage, a ceramic capacitor may fail to absorb the resulting high switching energy and oscillation could occur on the output. If the input-output potential difference is large, connect an electrolytic capacitor in parallel to compensate for insufficient capacitance.
- Spike noise and ripple voltage arise in a switching regulator as with a DC/DC converter. These are greatly influenced by external component selection, such as the coil inductance, capacitance values, and board layout of external components. Once the design has been completed, verification with actual components should be done.
- As a result of input-output voltage and load conditions, oscillation frequency goes to 1/2, 1/3, and continues, then a ripple may increase.
- When input-output voltage differential is large and light load conditions, a small duty cycle comes out. After that, 0% duty cycle may continue in several periods.
- When input-output voltage differential is small and heavy load conditions, a large duty cycle comes out and may continue 100% duty cycle in several periods.
- With the IC, the peak current of the coil is controlled by the current limit circuit. Since the peak current increases when dropout voltage or load current is high, current limit starts operation, and this can lead to instability. When peak current becomes high, please adjust the coil inductance value and fully check the circuit operation. In addition, please calculate the peak current according to the following formula:

$$I_{pk} = (V_{IN2} - V_{OUT3}) \times \text{OnDuty} / (2 \times L \times f_{OSC}) + I_{OUT}$$
 L: Coil Inductance Value
 f_{OSC} : Oscillation Frequency
- When the peak current which exceeds limit current flows within the specified time, the built-in P-channel MOS driver transistor turns off. During the time until it detects limit current and before the built-in P-channel MOS driver transistor can be turned off, the current for limit current flows; therefore, care must be taken when selecting the rating for the external components such as a coil.
- Depending on the state of the PC Board, latch time may become longer and latch operation may not work. In order to avoid the effect of noise, the board should be laid out so that input capacitors are placed as close to the IC as possible.
- Use of the IC at voltages below the recommended voltage range may lead to instability.
- This IC should be used within the stated absolute maximum ratings in order to prevent damage to the device.
- When the IC is used in high temperature, output voltage may increase up to input voltage level at no load because of the leak current of the P-channel MOS driver transistor.
- The current limit is set to 1350mA (MAX.) at typical. However, the current of 1350mA or more may flow. In case that the current limit functions while the V_{OUT3} pin is shorted to the GND pin, when P-channel MOS driver transistor is ON, the potential difference for input voltage will occur at both ends of a coil. For this, the time rate of coil current becomes large. By contrast, when N-channel MOS driver transistor is ON, there is almost no potential difference at both ends of the coil since the V_{OUT3} pin is shorted to the GND pin. Consequently, the time rate of coil current becomes quite small. According to the repetition of this operation, and the delay time of the circuit, coil current will be converged on a certain current value, exceeding the amount of current, which is supposed to be limited originally. Even in this case, however, after the over current state continues for several ms, the circuit will be latched. A coil should be used within the stated absolute maximum rating in order to prevent damage to the device.

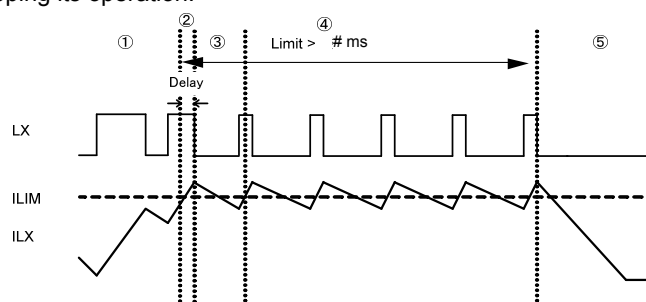
Current flows into P-channel MOS driver transistor to reach the current limit (I_{LIM}).

The current of I_{LIM} or more flows since the delay time of the circuit occurs during from the detection of the current limit to OFF of P-channel MOS driver transistor.

Because of no potential difference at both ends of the coil, the time rate of coil current becomes quite small.

L_X oscillates very narrow pulses by the current limit for several ms.

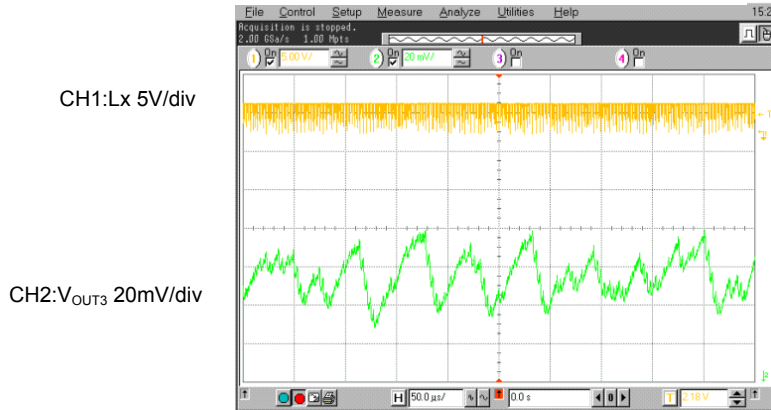
The circuit is latched, stopping its operation.



NOTE ON USE (Continued)

13. In order to stabilize V_{IN2} voltage level and oscillation frequency, we recommend that a by-pass capacitor (C_{IN}) be connected as close as possible to the V_{IN2} and V_{SS} pins.
14. High step-down ratio and very light load may lead an intermittent oscillation.
15. During PWM / PFM automatic switching mode, operating may become unstable at transition to continuous mode. Please verify with actual design.

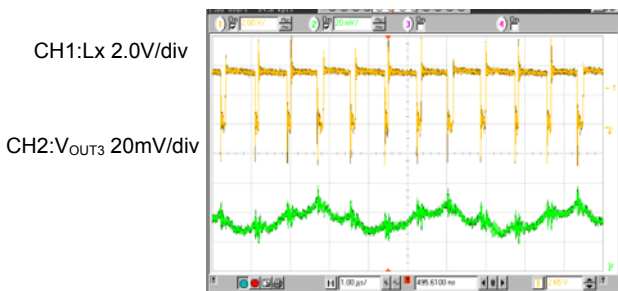
$V_{OUT3}=3.3V, f_{OSC}=1.2MHz$
 $V_{IN2}=3.7V, I_{OUT3}=100mA$



<External Components>
 L : 4.7 μ F(NR4018)
 C_{IN2} : 4.7 μ F(Ceramic)
 C_{L3} : 10 μ F(Ceramic)

16. Please note the inductance value of the coil. The IC may enter unstable operation if the combination of ambient temperature, output voltage, oscillation frequency, and L value are not adequate. In the operation range close to the maximum duty cycle, The IC may happen to enter unstable output voltage operation even if using the L values listed below.

$V_{OUT3}=3.3V, f_{OSC}=1.2MHz$
 $V_{IN2}=4.0V, I_{OUT3}=180mA$



<External Components>
 L : 1.5 μ F(NR3015)
 C_{IN2} : 4.7 μ F(Ceramic)
 C_{L3} : 10 μ F(Ceramic)

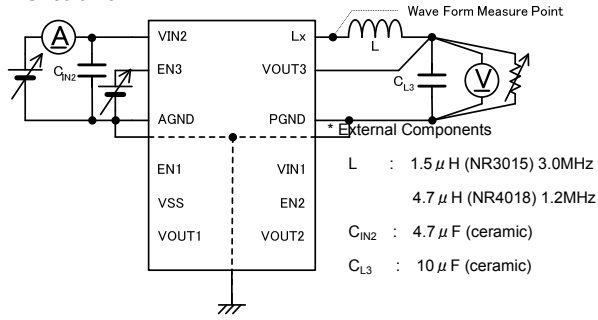
● The Range of L Value

f_{OSC}	V_{OUT}	L Value
3.0MHz	$0.8V < V_{OUT3} < 4.0V$	1.0 μ H ~ 2.2 μ H
1.2MHz	$V_{OUT3} < 2.5V$	3.3 μ H ~ 6.8 μ H
	$2.5V < V_{OUT3}$	4.7 μ H ~ 6.8 μ H

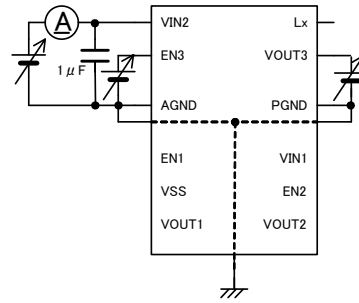
*When a coil less value of 4.7 μ H is used at $f_{OSC}=1.2MHz$ or when a coil less value of 1.5 μ H is used at $f_{OSC}=3.0MHz$, peak coil current more easily reach the current limit I_{LMI} . In this case, it may happen that the IC can not provide 600mA output current.

TEST CIRCUITS

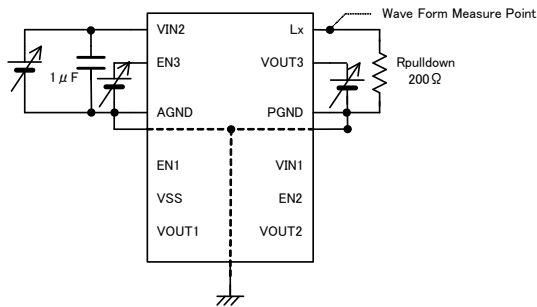
< Circuit No.1 >



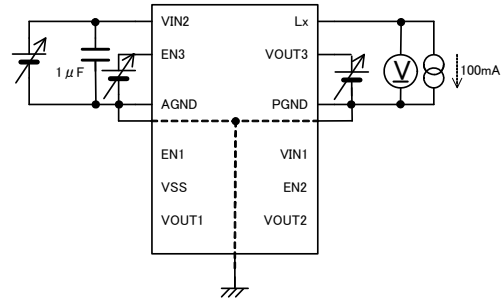
< Circuit No.2 >



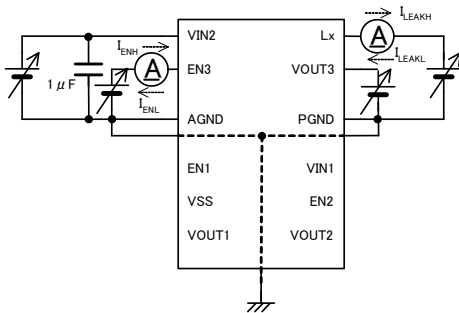
< Circuit No.3 >



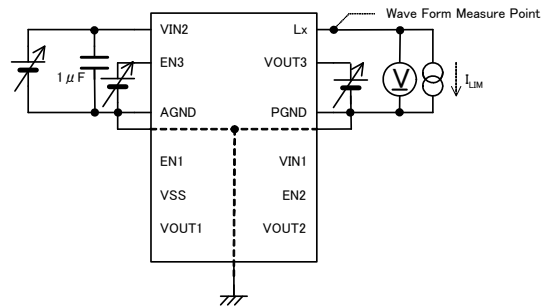
< Circuit No.4 >



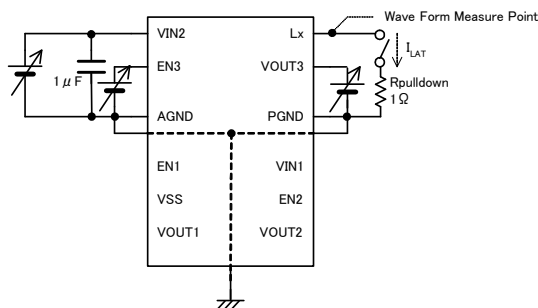
< Circuit No.5 >



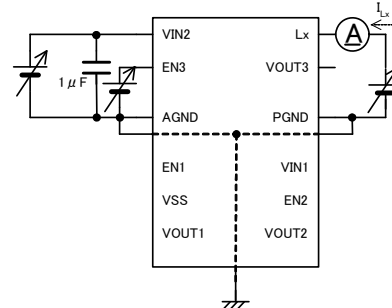
< Circuit No.6 >



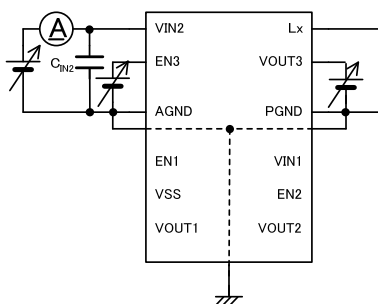
< Circuit No.7 >



< Circuit No.8 >



< Circuit No.9 >



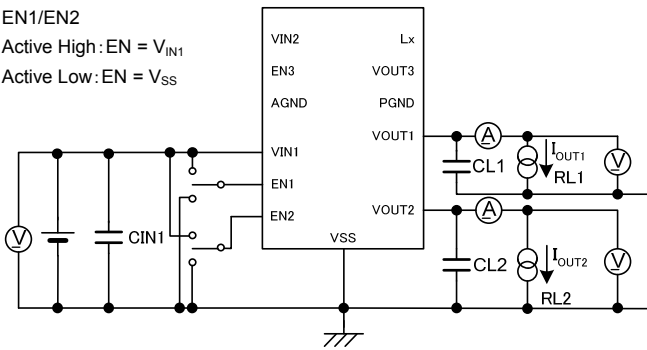
TEST CIRCUITS (Continued)

< Circuit No10 >

EN1/EN2

Active High: EN = V_{IN1}

Active Low: EN = V_{SS}



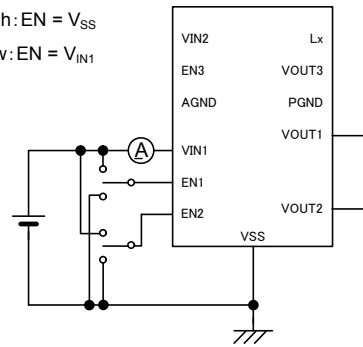
$C_{IN1}, C_{L1}, C_{L2} : 1 \mu F$ (ceramic)

< Circuit No11 >

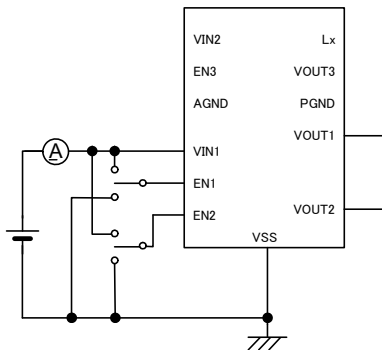
EN1/EN2

Active High: EN = V_{SS}

Active Low: EN = V_{IN1}



< Circuit No12 >



EN1/EN2

Active High (pull-down, without resistance)

VR1 Supply Current, EN1=ON, EN2=OFF

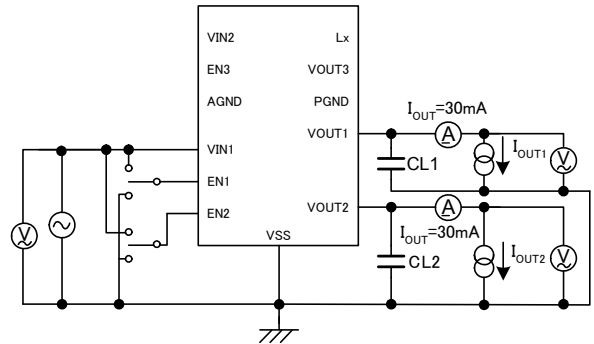
VR2 Supply Current, EN1= OFF, EN2=ON

Active High: ON= V_{IN1} , OFF= V_{SS}

Active Low: ON= V_{SS} , OFF= V_{IN1}

< Circuit No13 >

$V_{IN1}=[V_{OUT(T)}+1.0]VDC+0.5Vp-pAC$



$C_{L1}, C_{L2} : 1 \mu F$ (ceramic)

EN1/EN2

VR1 PSRR

EN1=ON, EN2=OFF

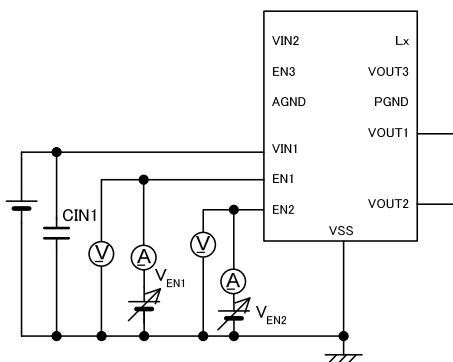
VR2 PSRR

EN1=OFF, EN2=ON

Active High: ON= V_{IN1} , OFF= V_{SS}

Active Low: ON= V_{SS} , OFF= V_{IN1}

< Circuit No14 >



$C_{IN1} : 1 \mu F$ (ceramic)

EN1/EN2

EN1"H" Level Current

EN1= V_{IN1} Level

EN2"H" Level Current

EN2= V_{IN1} Level

EN1"L" Level Current

EN1= V_{SS}

EN2"L" Level Current

EN2= V_{SS}

* The EN which is not measured is in operation sop mode.

Active High: V_{SS}

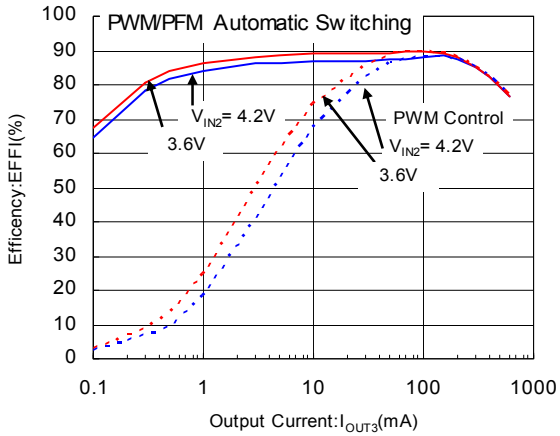
Active Low: measuring V_{IN1} Level

TYPICAL PERFORMANCE CHARACTERISTICS

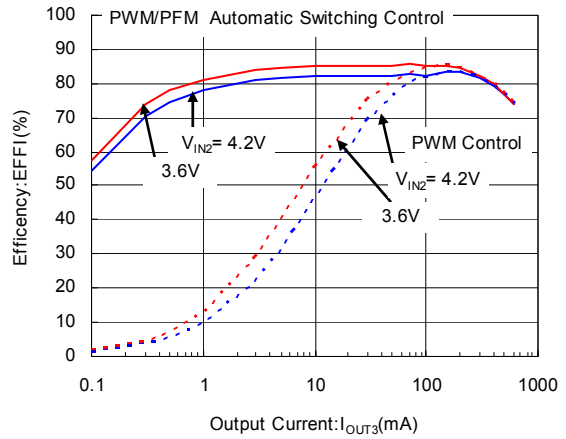
DC/DC Block

(1) Efficiency vs. Output Current

$V_{OUT3}=1.8V$, $f_{OSC}=1.2MHz$
 $L=4.7\ \mu H(NR4018)$, $C_{IN2}=4.7\ \mu F$, $C_{L3}=10\ \mu F$

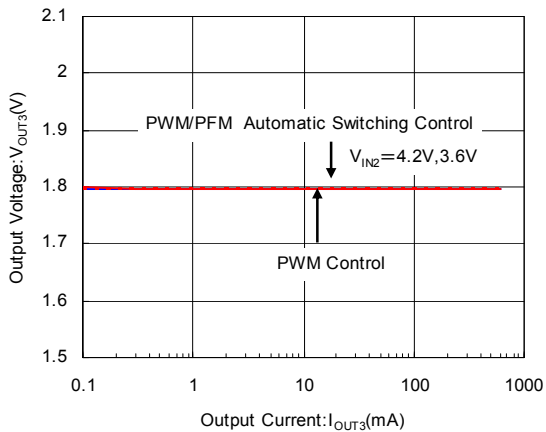


$V_{OUT3}=1.8V$, $f_{OSC}=3.0MHz$
 $L=1.5\ \mu H(NR3015)$, $C_{IN2}=4.7\ \mu F$, $C_{L3}=10\ \mu F$

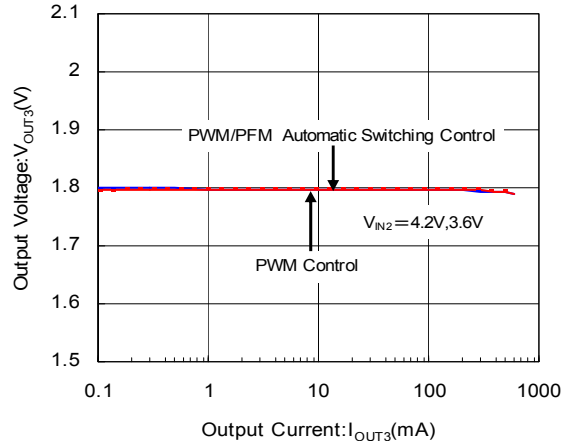


(2) Output Voltage vs. Output Current

$V_{OUT3}=1.8V$, $f_{OSC}=1.2MHz$
 $L=4.7\ \mu H(NR4018)$, $C_{IN2}=4.7\ \mu F$, $C_{L3}=10\ \mu F$

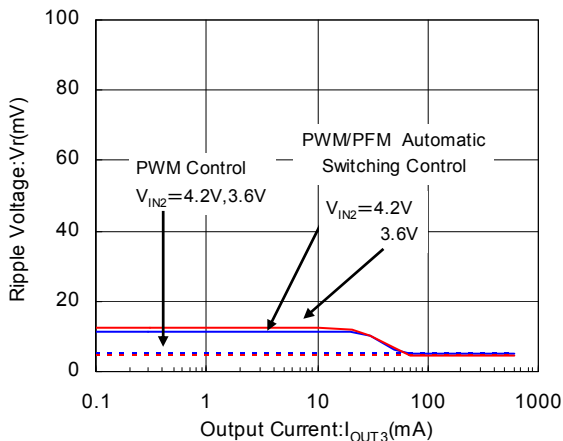


$V_{OUT3}=1.8V$, $f_{OSC}=3.0MHz$
 $L=1.5\ \mu H(NR3015)$, $C_{IN2}=4.7\ \mu F$, $C_{L3}=10\ \mu F$

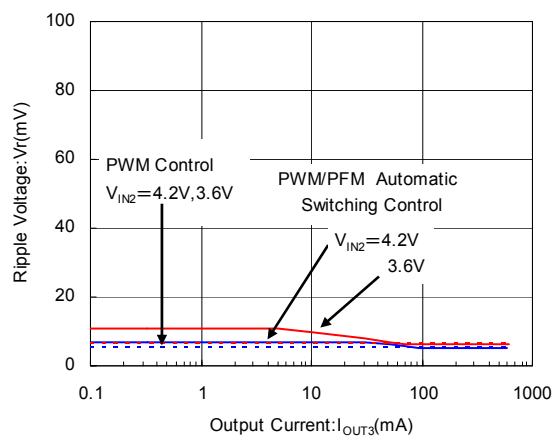


(3) Ripple Voltage vs. Output Current

$V_{OUT3}=1.8V$, $f_{OSC}=1.2MHz$
 $L=4.7\ \mu H(NR4018)$, $C_{IN2}=4.7\ \mu F$, $C_{L3}=10\ \mu F$



$V_{OUT3}=1.8V$, $f_{OSC}=3.0MHz$
 $L=1.5\ \mu H(NR3015)$, $C_{IN2}=4.7\ \mu F$, $C_{L3}=10\ \mu F$

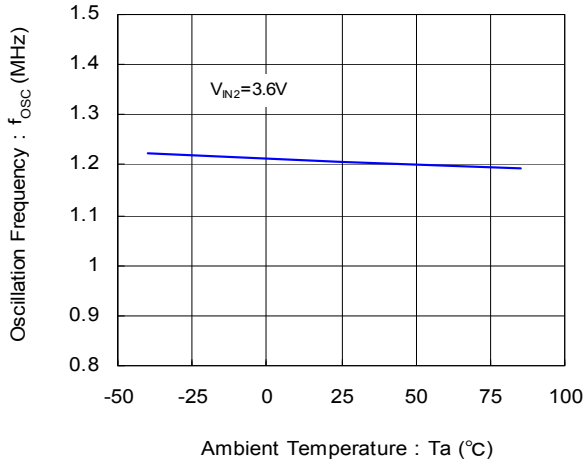


TYPICAL PERFORMANCE CHARACTERISTICS (Continued)

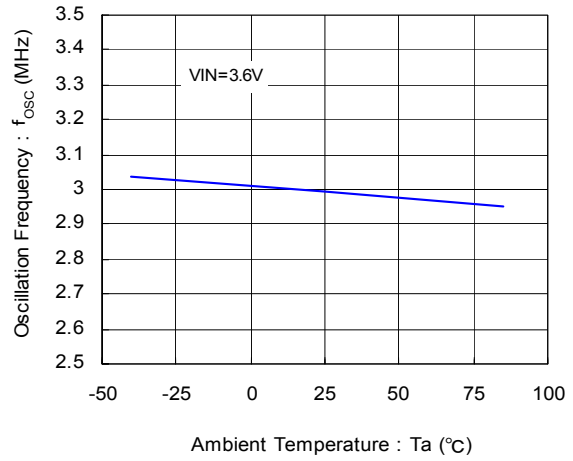
DCDC Block (Continued)

(4) Oscillation Frequency vs. Ambient Temperature

$V_{OUT3}=1.8V$, $f_{OSC}=1.2MHz$
 $L=4.7\ \mu H(NR4018)$, $C_{IN2}=4.7\ \mu F$, $C_{L3}=10\ \mu F$

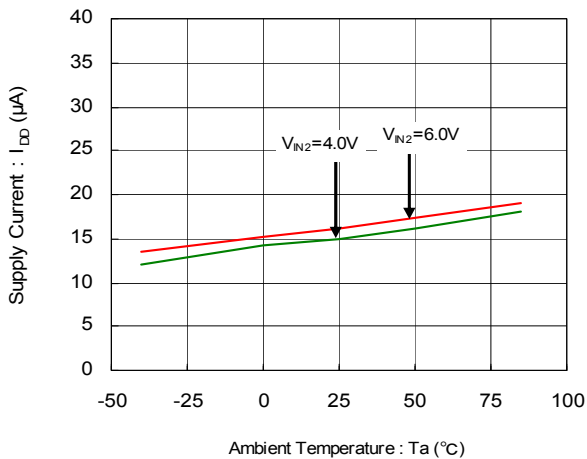


$V_{OUT3}=1.8V$, $f_{OSC}=3.0MHz$
 $L=1.5\ \mu H(NR3015)$, $C_{IN2}=4.7\ \mu F$, $C_{L3}=10\ \mu F$

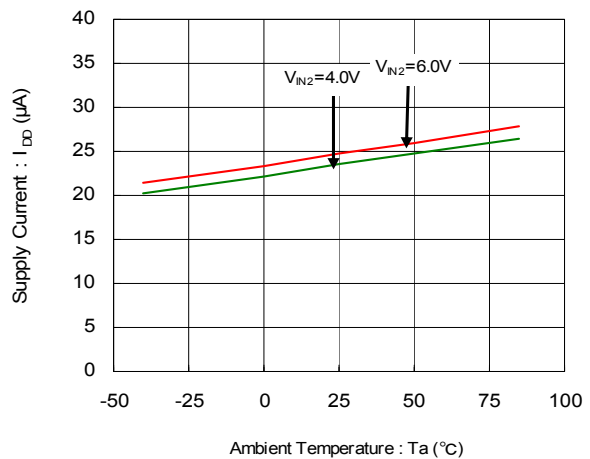


(5) Supply Current vs. Ambient Temperature

$V_{OUT3}=1.8V$, $f_{OSC}=1.2MHz$

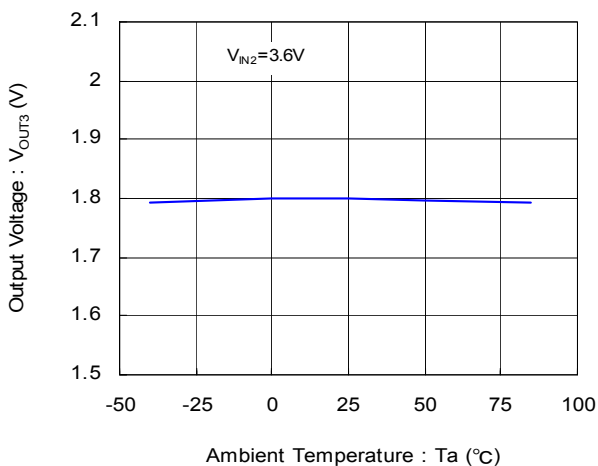


$V_{OUT3}=1.8V$, $f_{OSC}=3.0MHz$



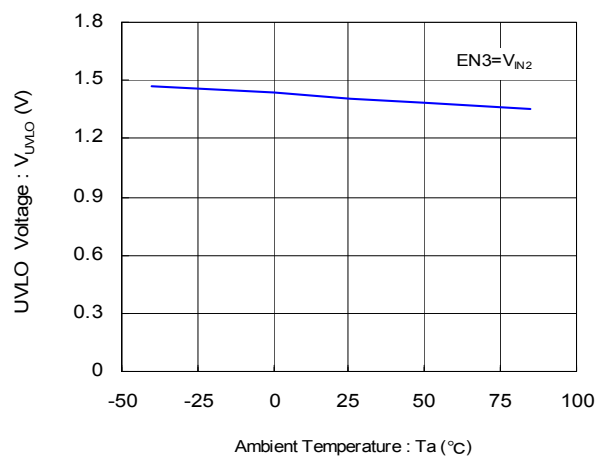
(6) Output Voltage vs. Ambient Temperature

$V_{OUT3}=1.8V$, $f_{OSC}=3.0MHz$



(7) UVLO Voltage vs. Ambient Temperature

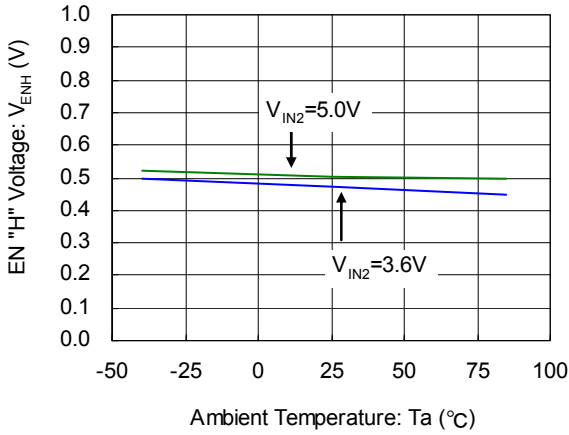
$V_{OUT3}=1.8V$, $f_{OSC}=3.0MHz$



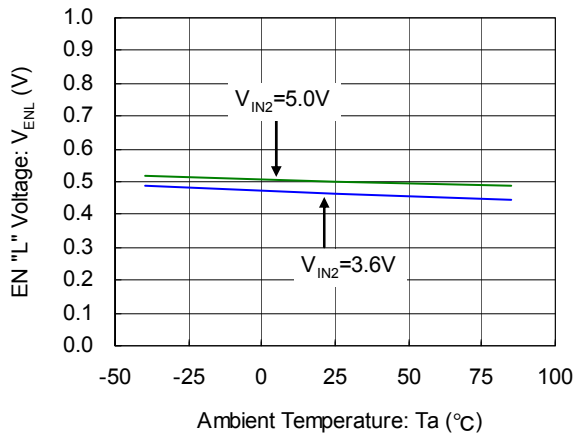
TYPICAL PERFORMANCE CHARACTERISTICS (Continued)

DCDC Block (Continued)

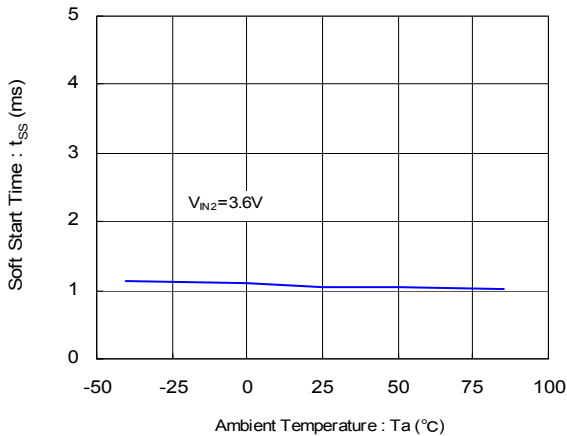
(8) EN "H" Voltage vs. Ambient Temperature
 $V_{OUT3}=1.8V, f_{OSC}=3.0MHz$



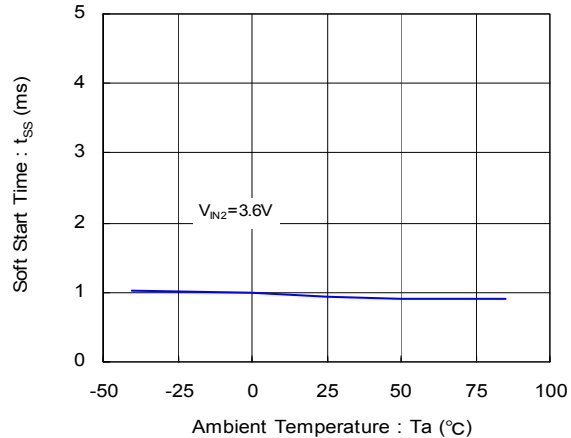
(9) EN "L" Voltage vs. Ambient Temperature
 $V_{OUT3}=1.8V, f_{OSC}=3.0MHz$



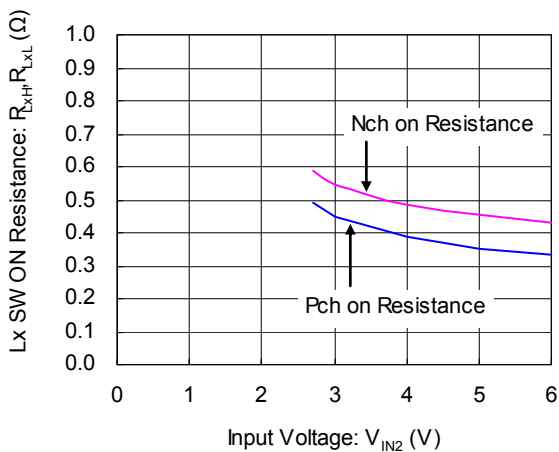
(10) Soft Start Time vs. Ambient Temperature
 $V_{OUT3}=1.8V, f_{OSC}=3.0MHz$
 $L=4.7 \mu H(NR4018), C_{IN2}=4.7 \mu F, C_{L3}=10 \mu F$



$V_{OUT3}=1.8V, f_{OSC}=3.0MHz$
 $L=1.5 \mu H(NR3015), C_{IN2}=4.7 \mu F, C_{L3}=10 \mu F$



(11) "Pch / Nch" Driver on Resistance vs. Input Voltage
 $V_{OUT3}=1.8V, f_{OSC}=3.0MHz$

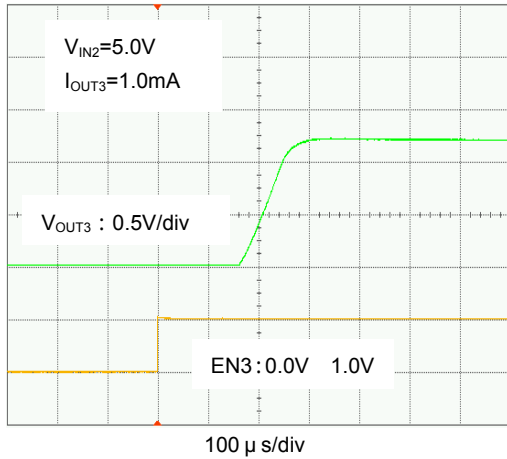


TYPICAL PERFORMANCE CHARACTERISTICS (Continued)

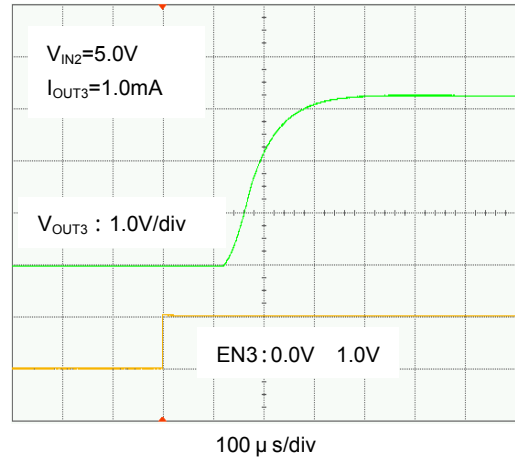
DCDC Block (Continued)

(12) XCM520AE/ XCM520AF/ XCM520AG/ XCM520AH Series, Rise Wave Form

$V_{OUT3}=1.2V$, $f_{OSC}=1.2MHz$
 $L=4.7\mu H$ (NR4018), $C_{IN2}=4.7\mu F$, $C_{L3}=10\mu F$

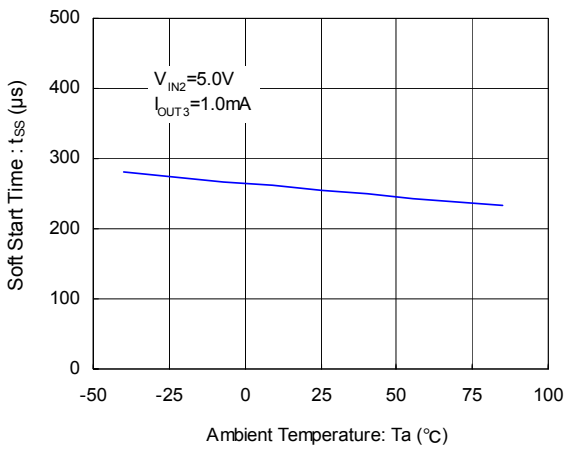


$V_{OUT3}=3.3V$, $f_{OSC}=3.0MHz$
 $L=1.5\mu H$ (NR3015), $C_{IN2}=4.7\mu F$, $C_{L3}=10\mu F$

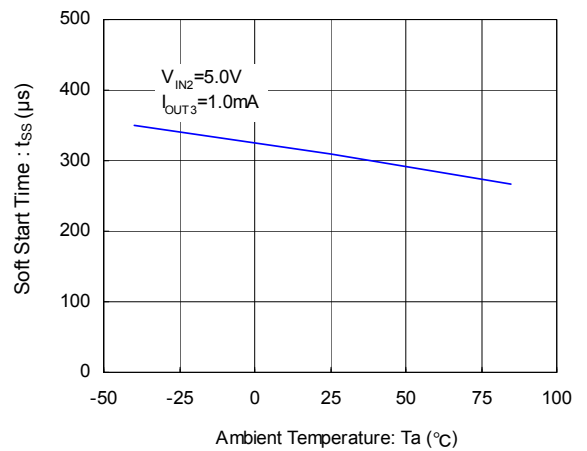


(13) XCM520AE/ XCM520AF/ XCM520AG/ XCM520AH Series, Soft-Start Time vs. Ambient Temperature

$V_{OUT3}=1.2V$, $f_{OSC}=1.2MHz$
 $L=4.7\mu H$ (NR4018), $C_{IN2}=4.7\mu F$, $C_{L3}=10\mu F$

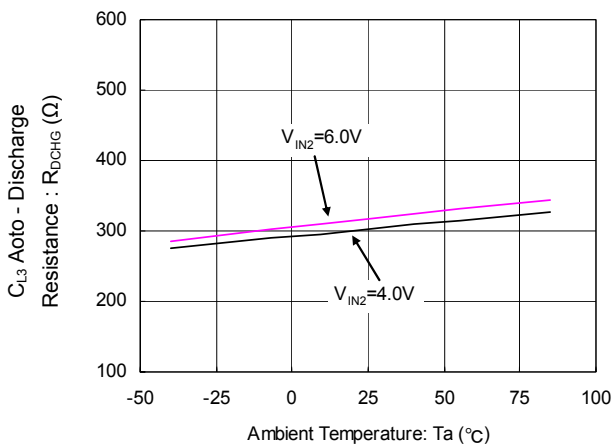


$V_{OUT3}=3.3V$, $f_{OSC}=3.0MHz$
 $L=1.5\mu H$ (NR3015), $C_{IN2}=4.7\mu F$, $C_{L3}=10\mu F$



(14) XCM520AE/ XCM520AF/ XCM520AG/ XCM520AH Series, CL Discharge Resistance vs. Ambient Temperature

$V_{OUT3}=3.3V$, $f_{OSC}=3.0MHz$



TYPICAL PERFORMANCE CHARACTERISTICS (Continued)

DCDC Block (Continued)

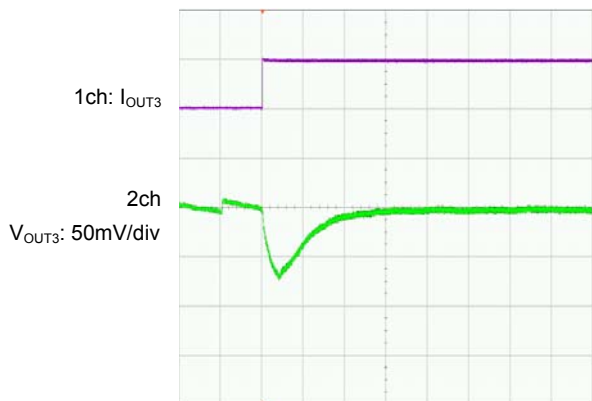
(15) Load Transient Response

$V_{OUT3}=1.2V$, $f_{OSC}=1.2MHz$ (PWM/PFM Automatic Switching Control)

$L=4.7\mu H$ (NR4018), $C_{IN2}=4.7\mu F$ (ceramic), $C_{L3}=10\mu F$ (ceramic), $T_{opr}=25$

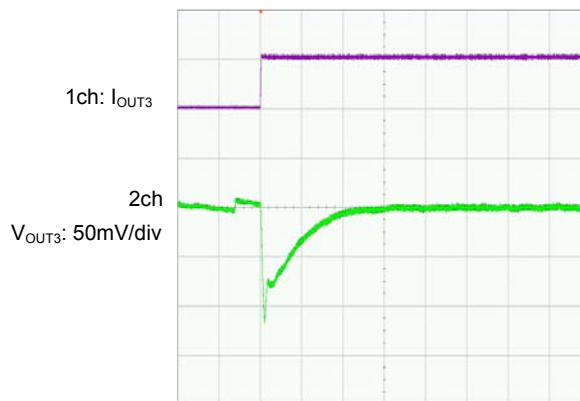
$V_{IN2}=3.6V$, $EN3=V_{IN2}$

$I_{OUT3}=1mA$ 100mA



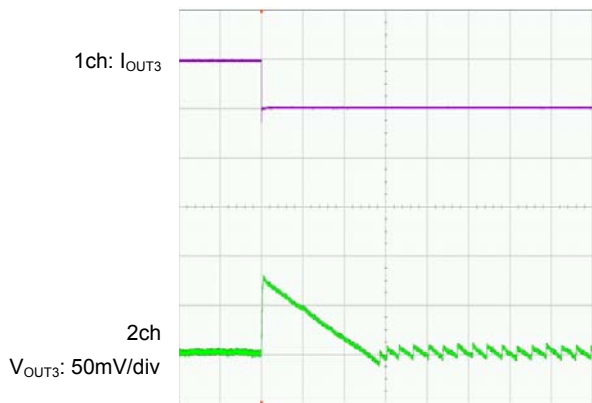
50 μ s/div

$I_{OUT3}=1mA$ 300mA



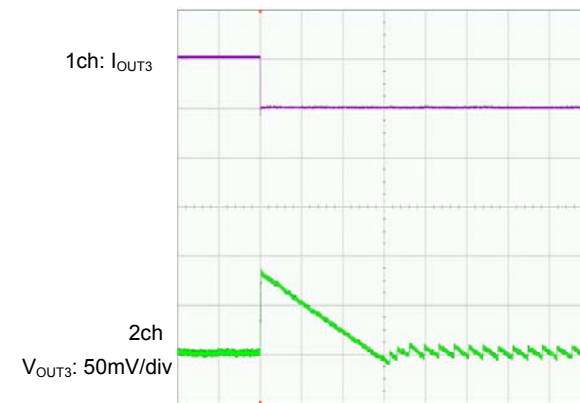
50 μ s/div

$I_{OUT3}=100mA$ 1mA



200 μ s/div

$I_{OUT3}=300mA$ 1mA



200 μ s/div

TYPICAL PERFORMANCE CHARACTERISTICS (Continued)

DCDC Block (Continued)

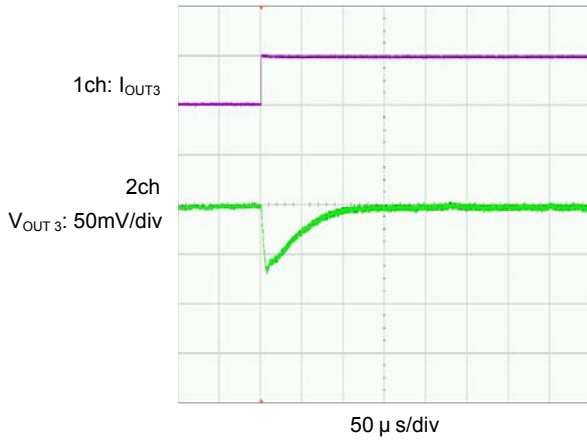
(15) Load Transient Response (Continued)

$V_{OUT3}=1.2V$, $f_{OSC}=1.2MHz$ (PWM Control)

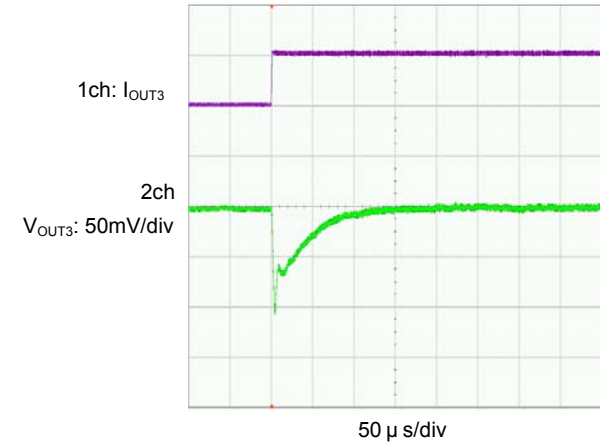
$L=4.7\mu H$ (NR4018), $C_{IN2}=4.7\mu F$ (ceramic), $C_{L3}=10\mu F$ (ceramic), $Topr=25$

$V_{IN2}=3.6V$, $EN3=V_{IN2}$

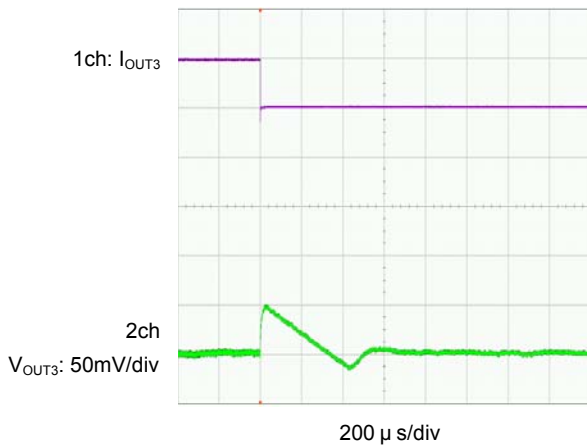
$I_{OUT3}=1mA$ 100mA



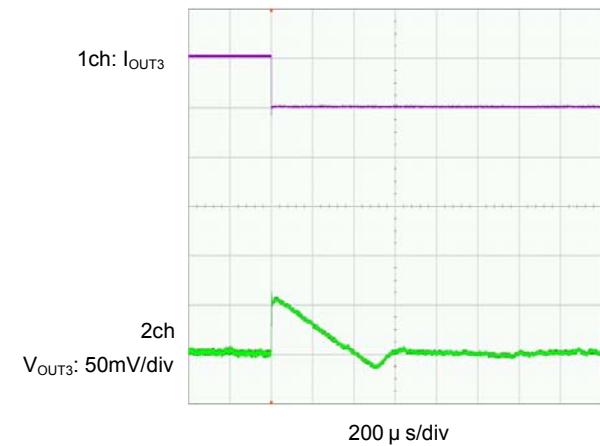
$I_{OUT3}=1mA$ 300mA



$I_{OUT3}=100mA$ 1mA



$I_{OUT3}=300mA$ 1mA



TYPICAL PERFORMANCE CHARACTERISTICS (Continued)

DCDC Block (Continued)

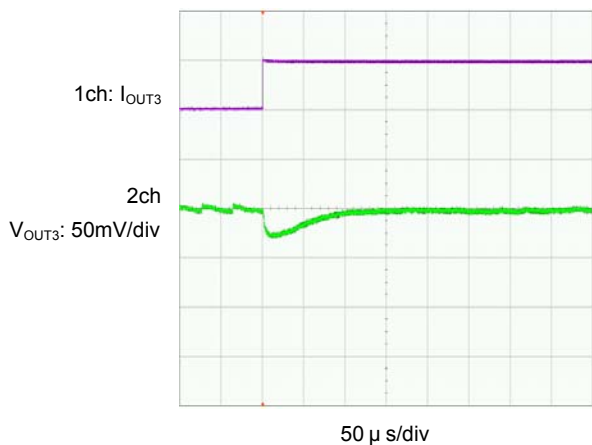
(15) Load Transient Response (Continued)

$V_{OUT3}=1.8V$, $f_{OSC}=3.0MHz$ (PWM/PFM Automatic Switching Control)

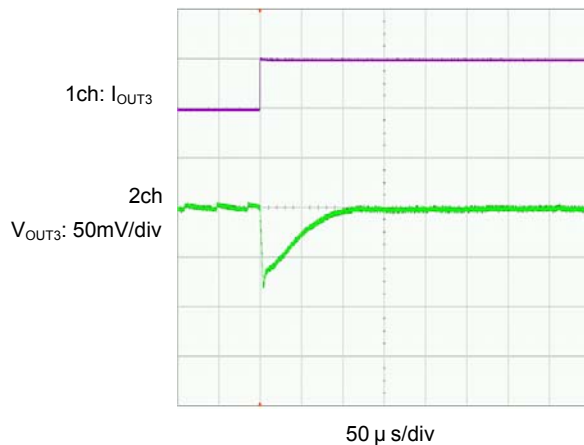
$L=1.5\mu H$ (NR3015), $C_{IN2}=4.7\mu F$ (ceramic), $C_{L3}=10\mu F$ (ceramic), $Topr=25$

$V_{IN2}=3.6V$, $EN=V_{IN2}$

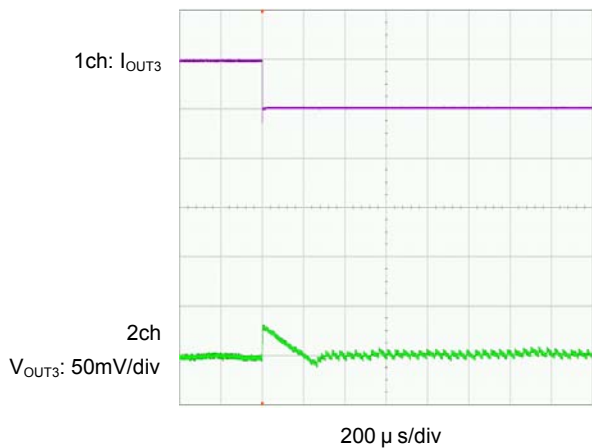
$I_{OUT3}=1mA$ 100mA



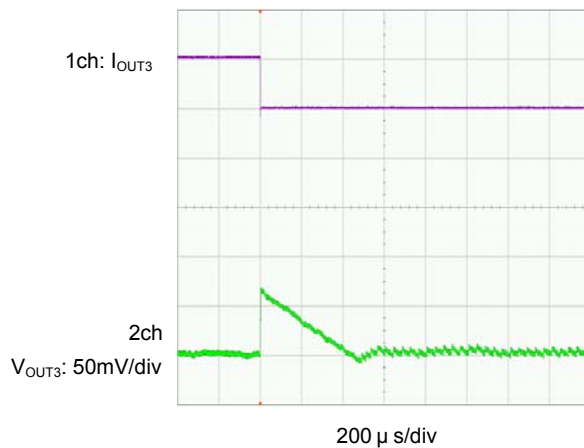
$I_{OUT3}=1mA$ 300mA



$I_{OUT3}=100mA$ 1mA



$I_{OUT3}=300mA$ 1mA



TYPICAL PERFORMANCE CHARACTERISTICS (Continued)

DCDC Block (Continued)

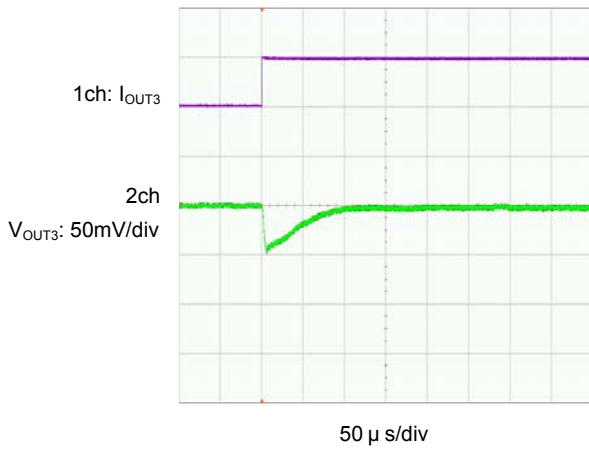
(15) Load Transient Response (Continued)

$V_{OUT3}=1.8V$, $f_{OSC}=3.0MHz$ (PWM Control)

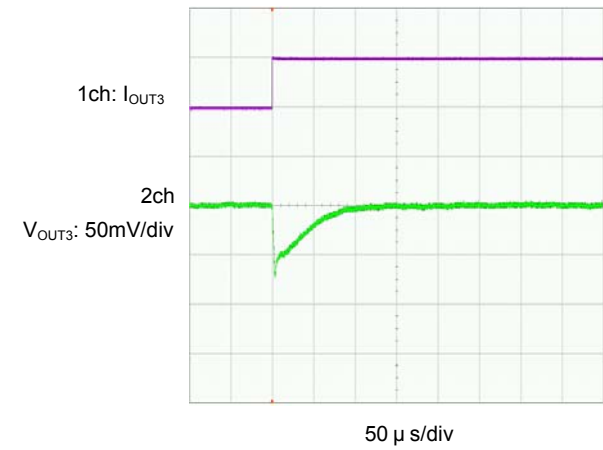
$L=1.5\mu H$ (NR3015), $C_{IN2}=4.7\mu F$ (ceramic), $C_{L3}=10\mu F$ (ceramic), $T_{opr}=25$

$V_{IN2}=3.6V$, $EN1=V_{IN2}$

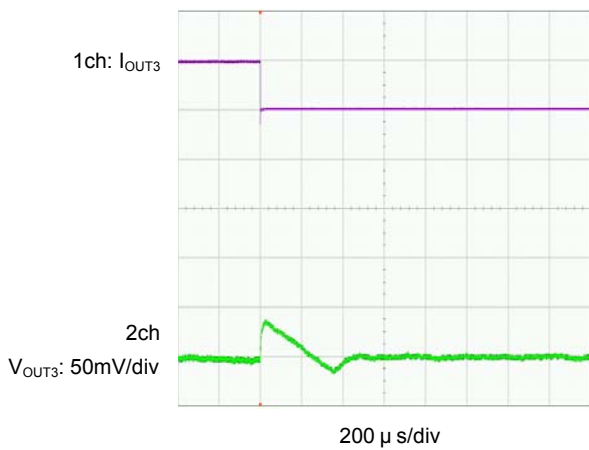
$I_{OUT3}=1mA$ 100mA



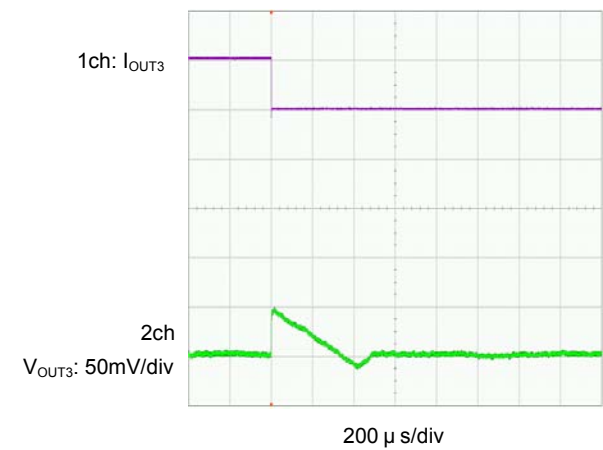
$I_{OUT3}=1mA$ 300mA



$I_{OUT3}=100mA$ 1mA



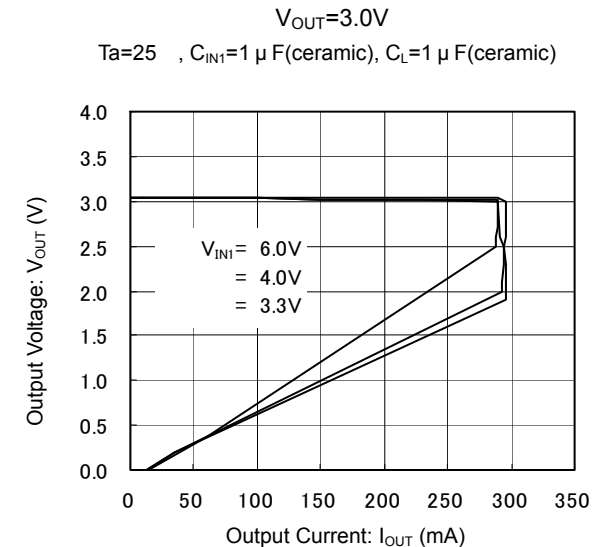
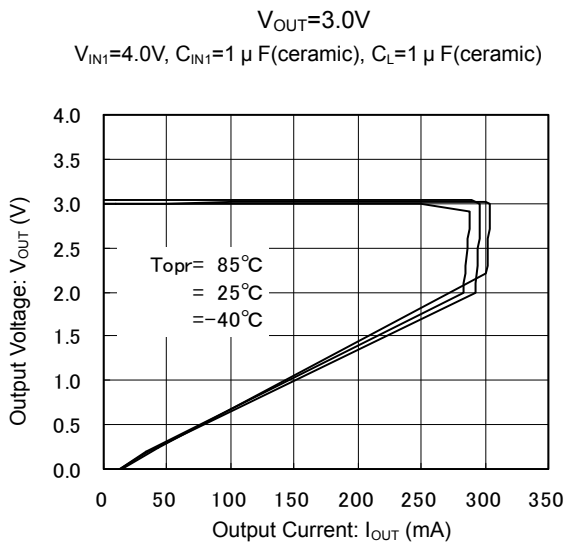
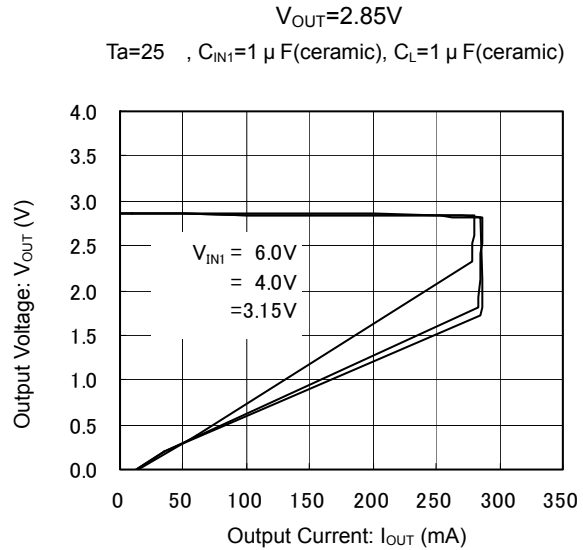
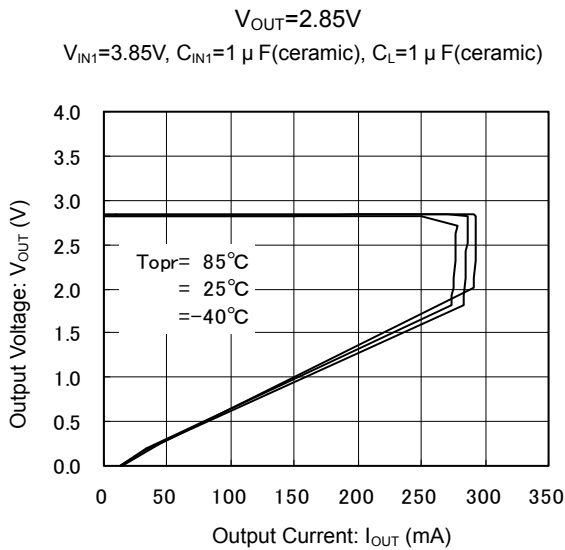
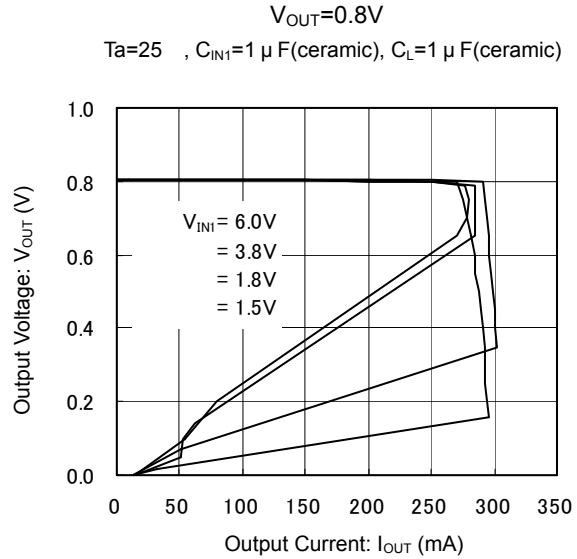
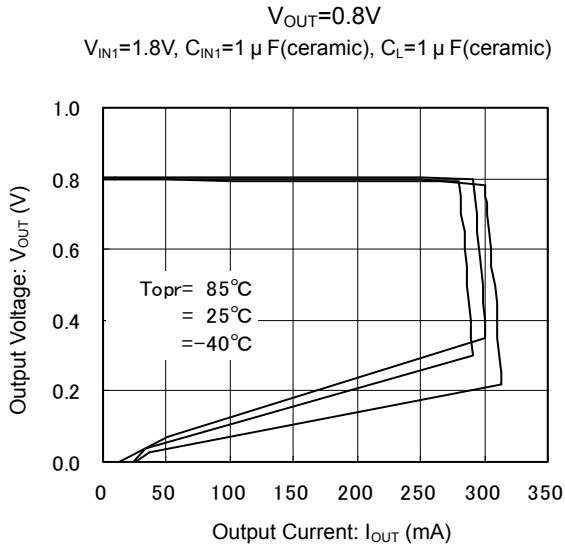
$I_{OUT3}=300mA$ 1mA



TYPICAL PERFORMANCE CHARACTERISTICS (Continued)

Regulator Block

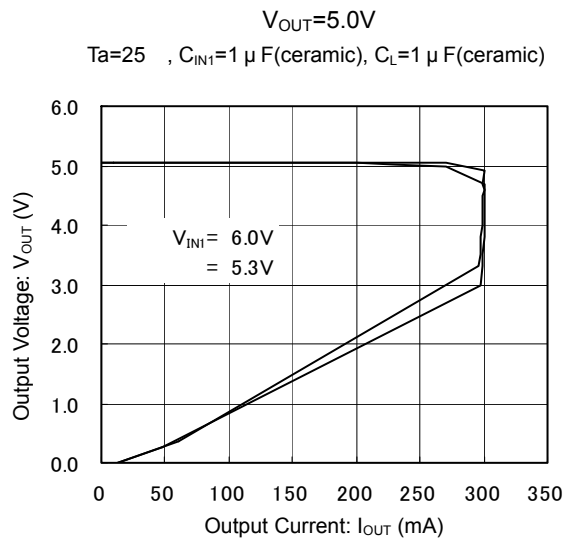
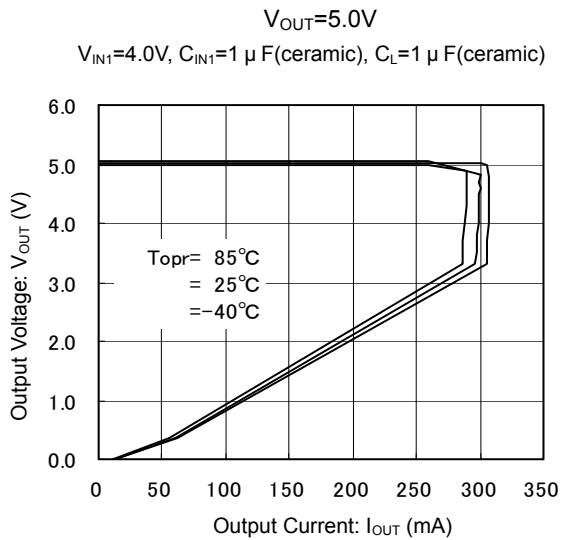
(1) Output Voltage vs. Output Current



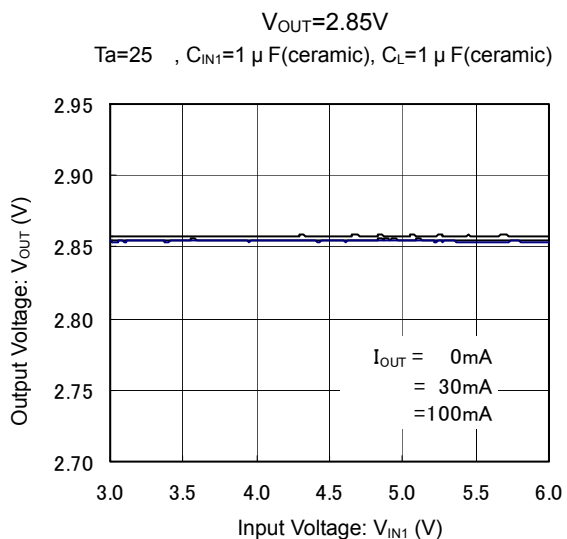
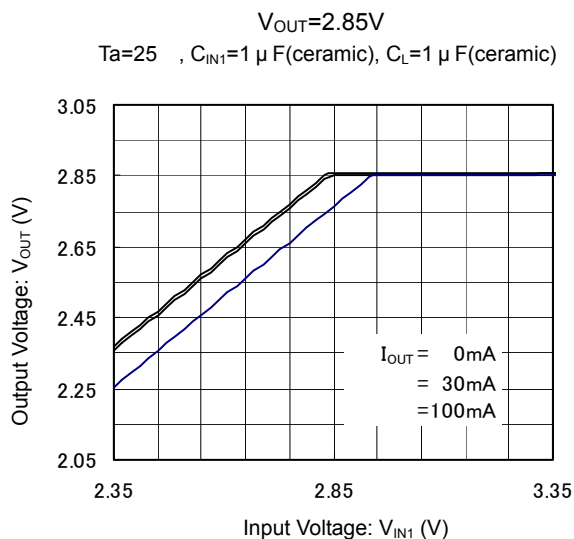
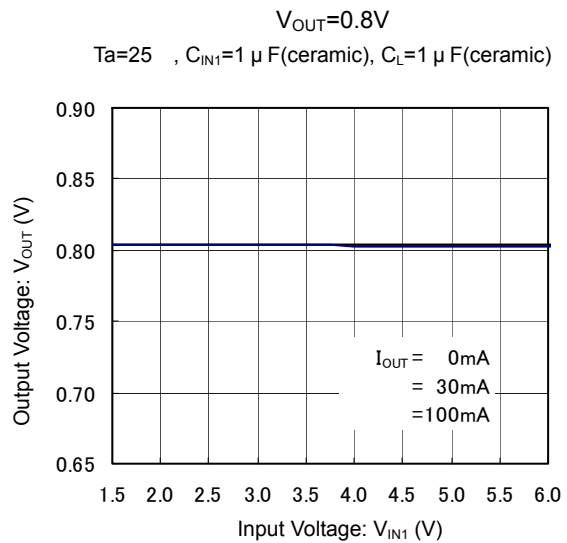
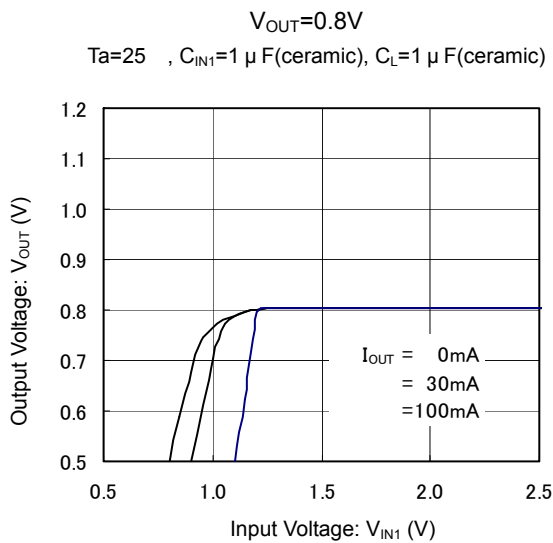
TYPICAL PERFORMANCE CHARACTERISTICS (Continued)

Regulator Block (Continued)

(1) Output Voltage vs. Output Current (Continued)



(2) Output Voltage vs. Input Voltage



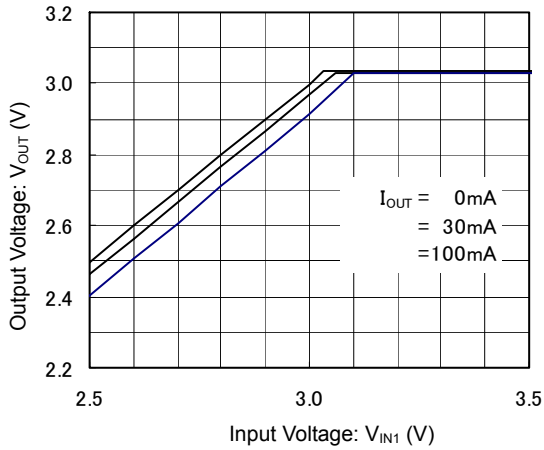
TYPICAL PERFORMANCE CHARACTERISTICS (Continued)

Regulator Block (Continued)

(2) Output Voltage vs. Input Voltage (Continued)

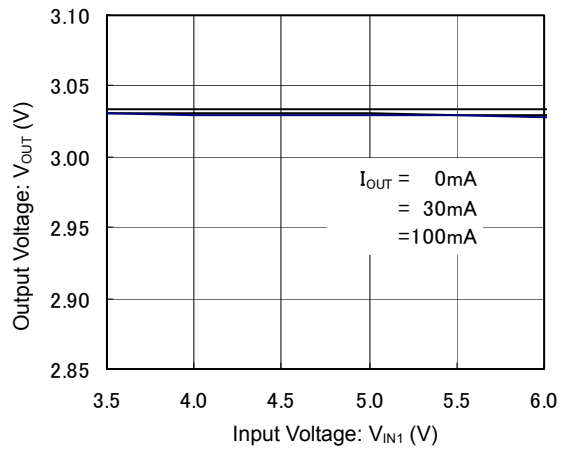
$V_{OUT}=3.0V$

$T_a=25^\circ C$, $C_{IN1}=1\ \mu F$ (ceramic), $C_L=1\ \mu F$ (ceramic)



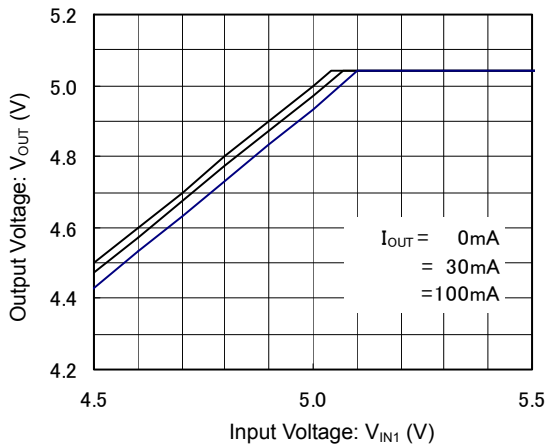
$V_{OUT}=3.0V$

$T_a=25^\circ C$, $C_{IN1}=1\ \mu F$ (ceramic), $C_L=1\ \mu F$ (ceramic)



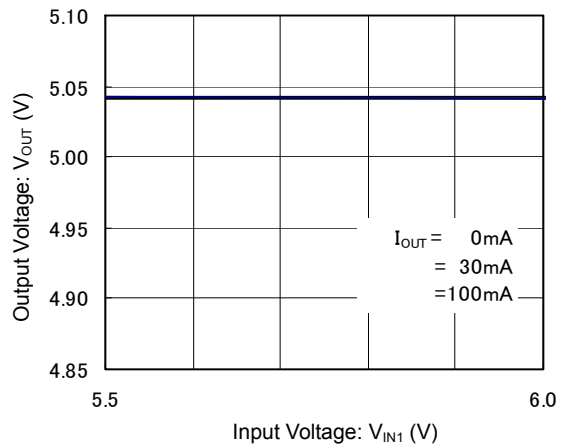
$V_{OUT}=5.0V$

$T_a=25^\circ C$, $C_{IN1}=1\ \mu F$ (ceramic), $C_L=1\ \mu F$ (ceramic)



$V_{OUT}=5.0V$

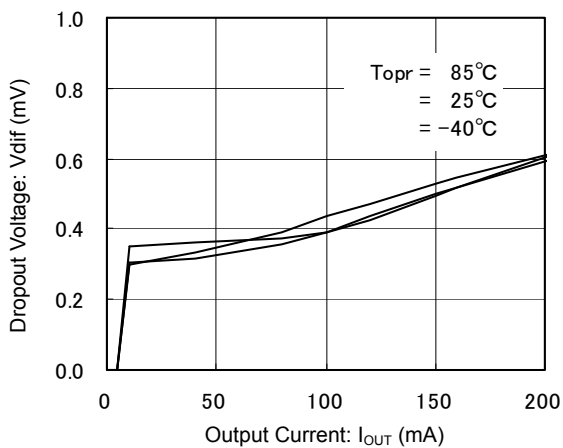
$T_a=25^\circ C$, $C_{IN1}=1\ \mu F$ (ceramic), $C_L=1\ \mu F$ (ceramic)



(3) Dropout Voltage vs. Output Current

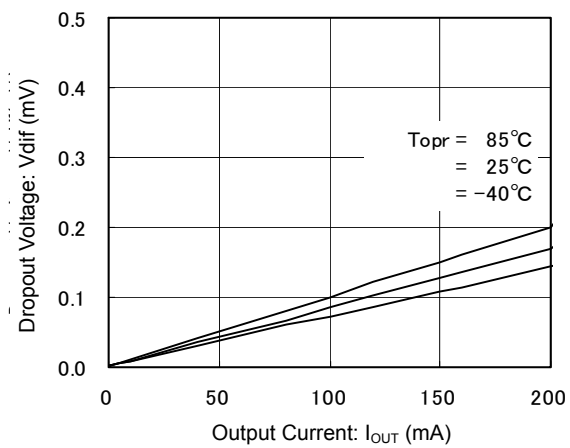
$V_{OUT}=0.8V$

$C_{IN1}=1\ \mu F$ (ceramic), $C_L=1\ \mu F$ (ceramic)



$V_{OUT}=2.85V$

$C_{IN1}=1\ \mu F$ (ceramic), $C_L=1\ \mu F$ (ceramic)

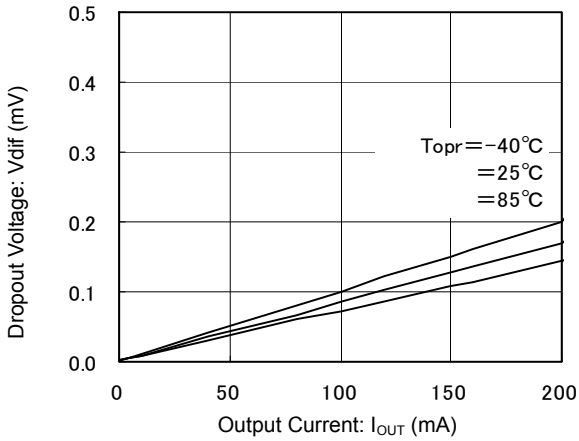


TYPICAL PERFORMANCE CHARACTERISTICS (Continued)

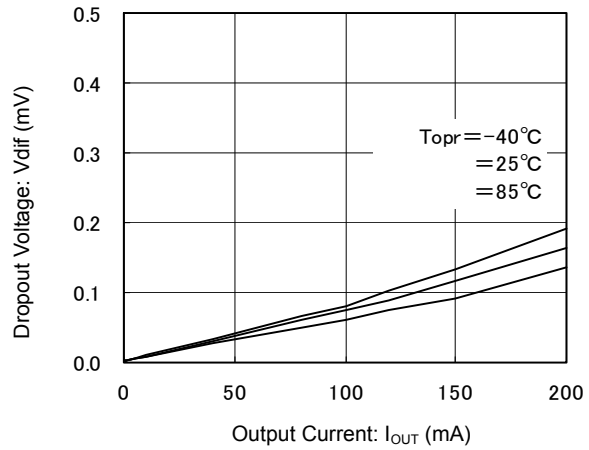
Regulator Block (Continued)

(3) Dropout Voltage vs. Output Current (Continued)

$V_{OUT}=3.0V$
 $C_{IN1}=1\ \mu F$ (ceramic), $C_L=1\ \mu F$ (ceramic)

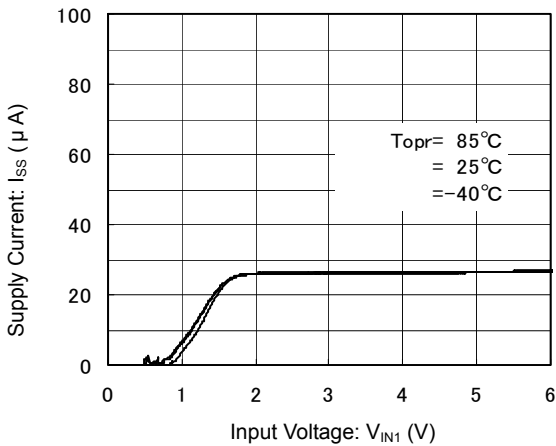


$V_{OUT}=5.0V$
 $C_{IN1}=1\ \mu F$ (ceramic), $C_L=1\ \mu F$ (ceramic)

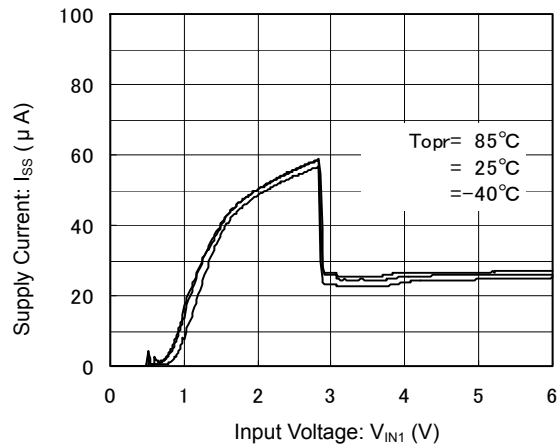


(4) Supply Current vs. Input Voltage

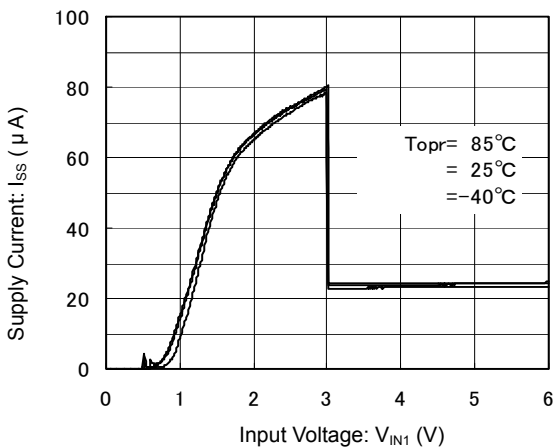
$V_{OUT}=0.8V$



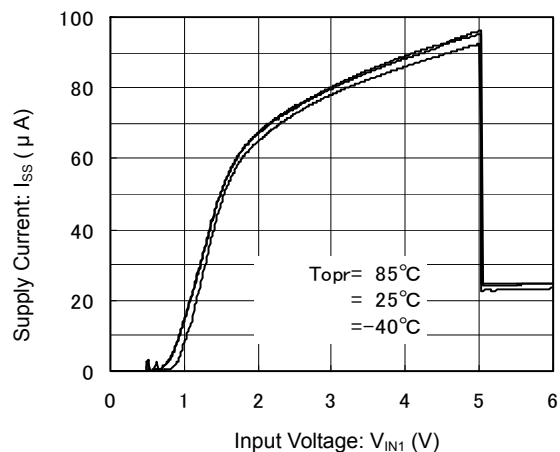
$V_{OUT}=2.85V$



$V_{OUT}=3.0V$



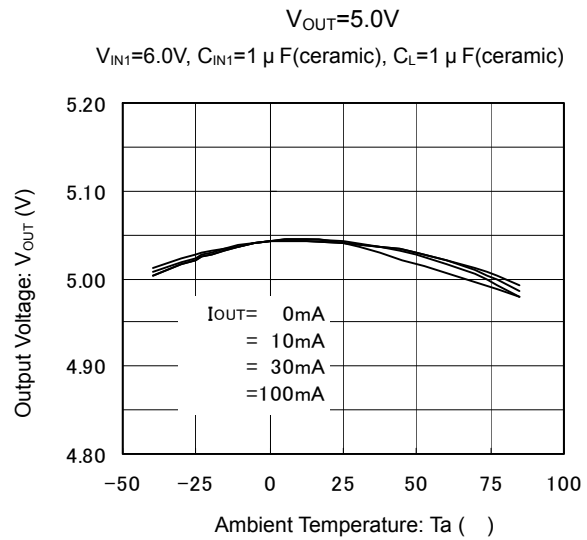
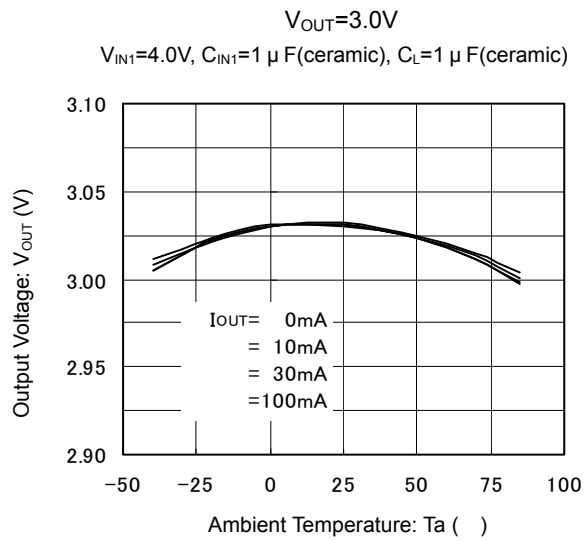
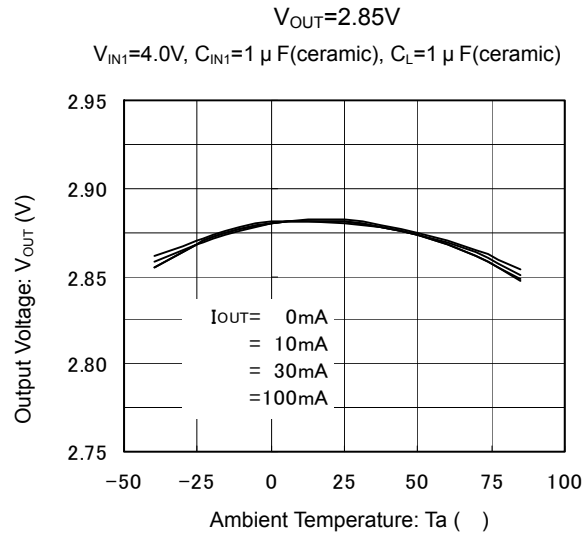
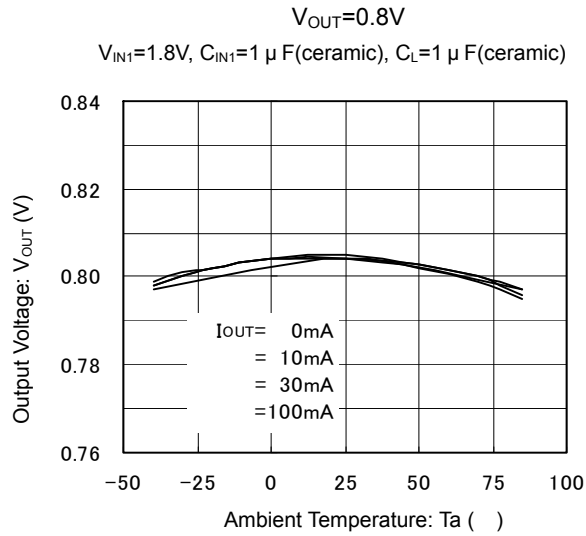
$V_{OUT}=5.0V$



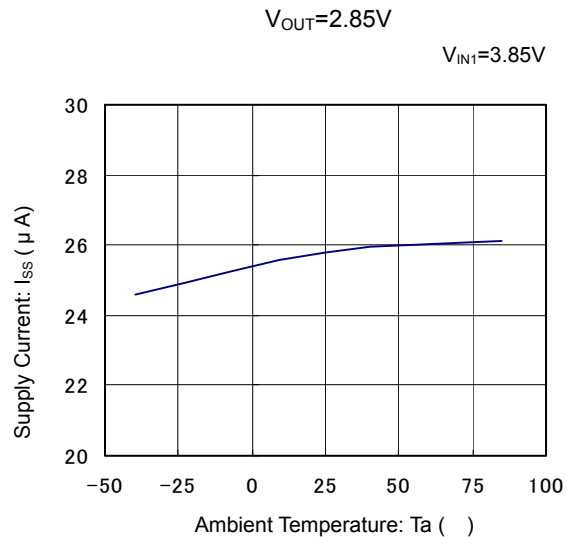
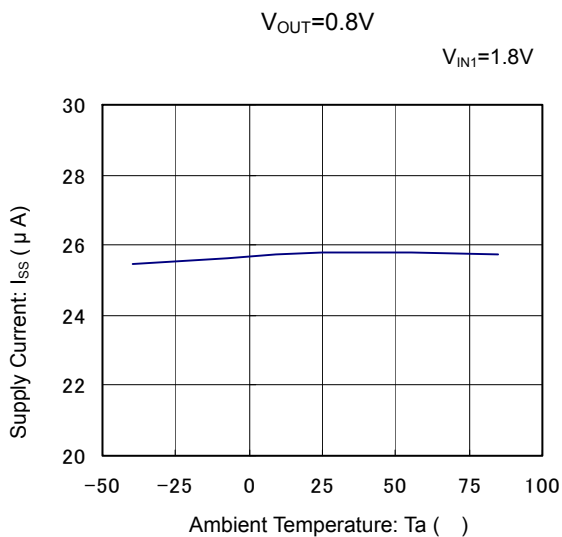
TYPICAL PERFORMANCE CHARACTERISTICS (Continued)

Regulator Block (Continued)

(5) Output Voltage vs. Ambient Temperature



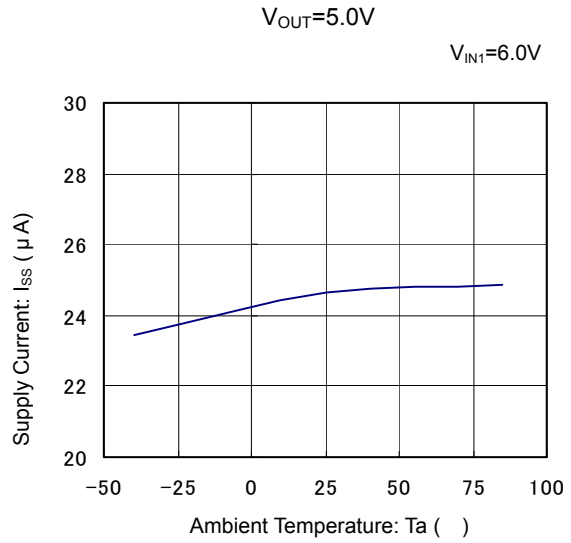
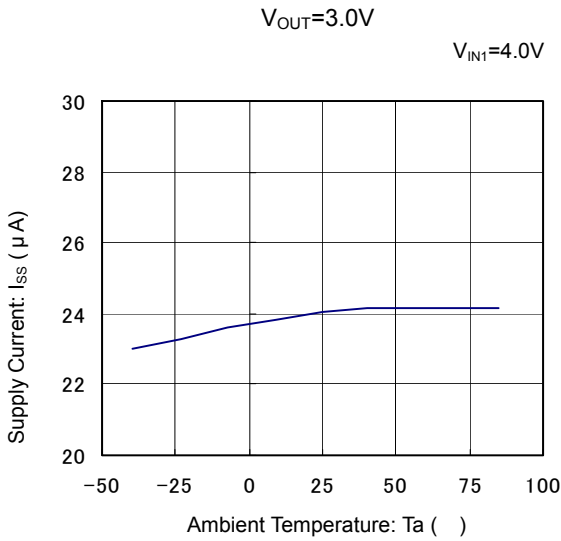
(6) Supply Current vs. Ambient Temperature



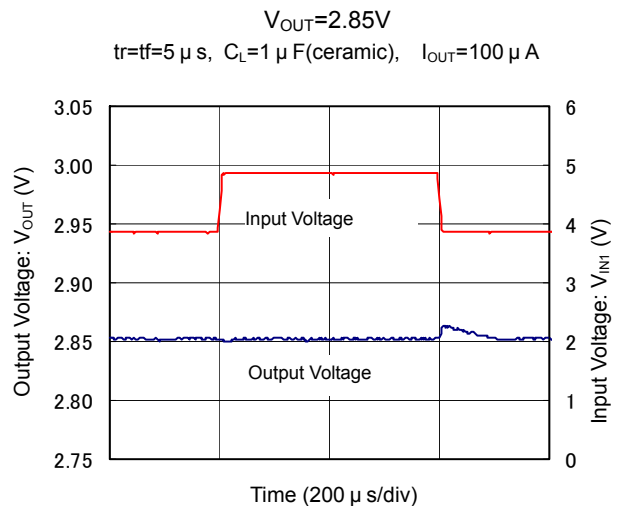
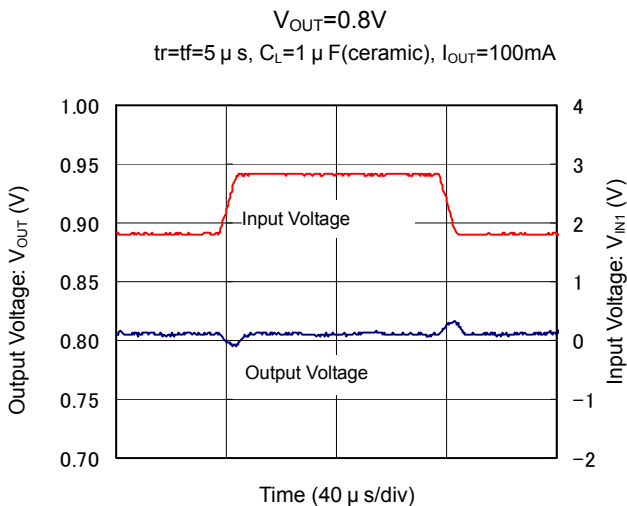
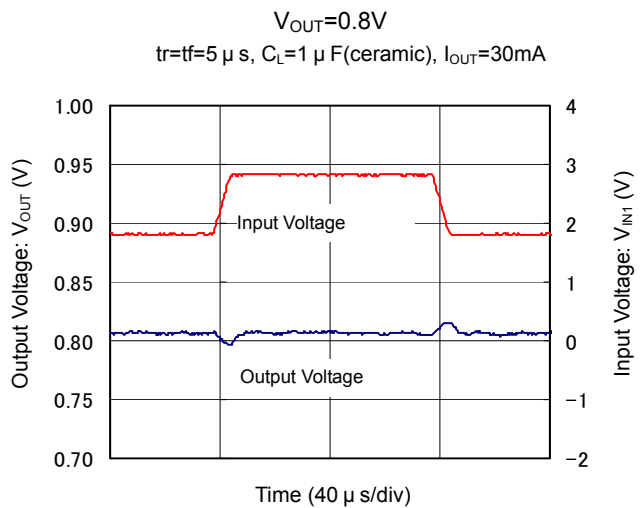
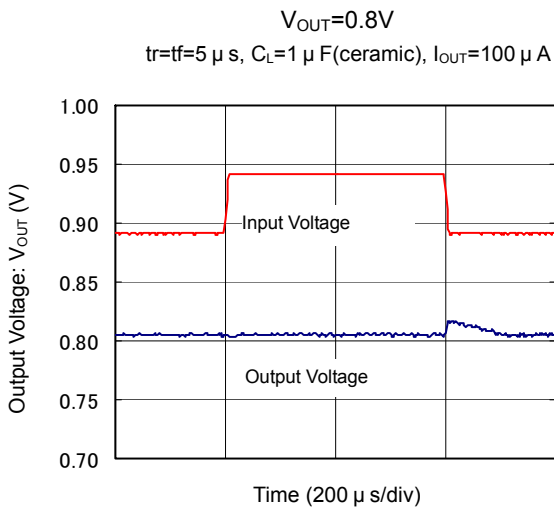
TYPICAL PERFORMANCE CHARACTERISTICS (Continued)

Regulator Block (Continued)

(6) Supply Current vs. Ambient Temperature (Continued)



(7) Input Transient Response

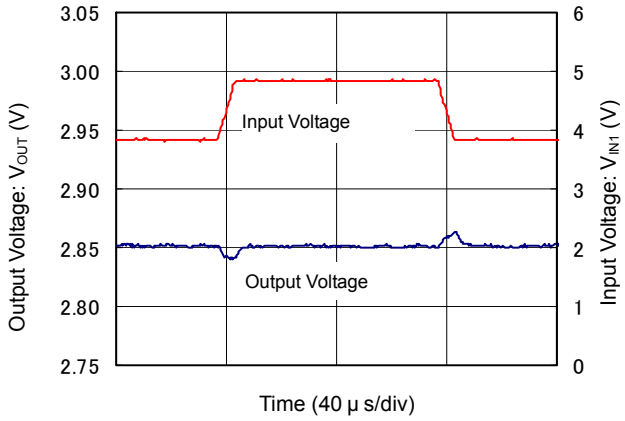


TYPICAL PERFORMANCE CHARACTERISTICS (Continued)

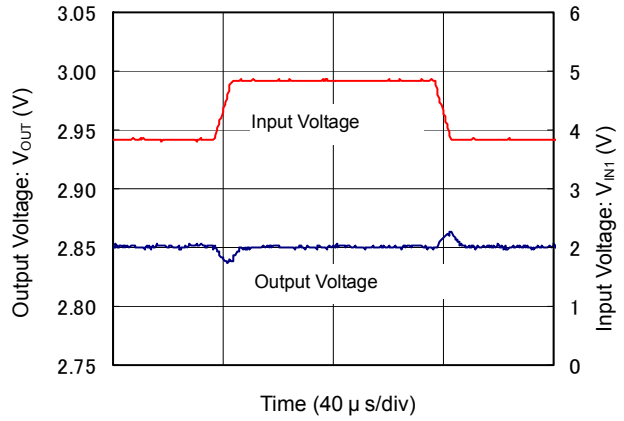
Regulator Block (Continued)

(7) Input Transient Response (Continued)

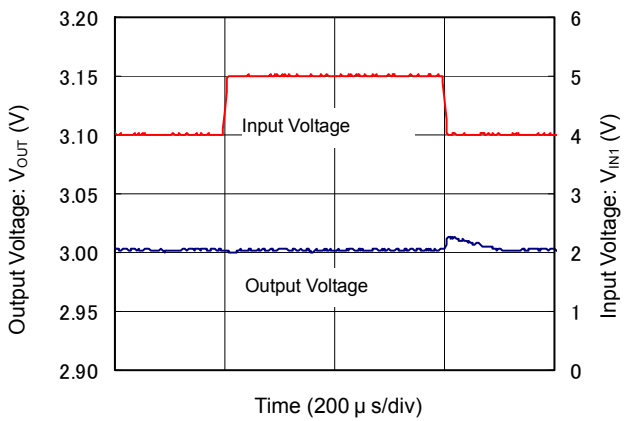
$V_{OUT}=2.85V$
 $tr=tf=5\ \mu s$, $C_L=1\ \mu F$ (ceramic), $I_{OUT}=30mA$



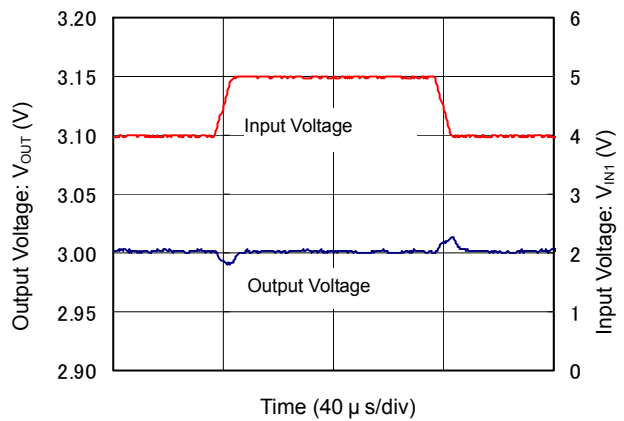
$V_{OUT}=2.85V$
 $tr=tf=5\ \mu s$, $C_L=1\ \mu F$ (ceramic), $I_{OUT}=100mA$



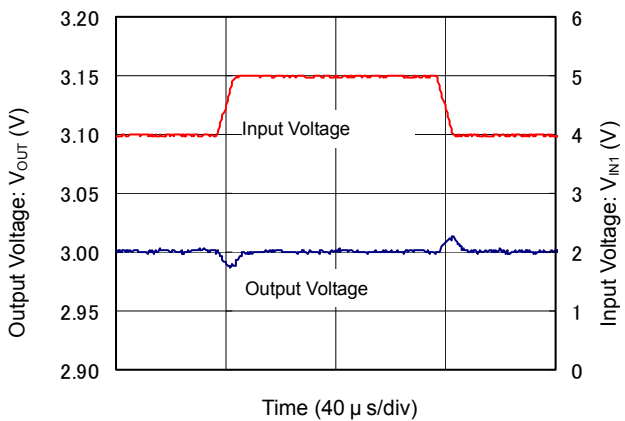
$V_{OUT}=3.0V$
 $tr=tf=5\ \mu s$, $C_L=1\ \mu F$ (ceramic), $I_{OUT}=100\ \mu A$



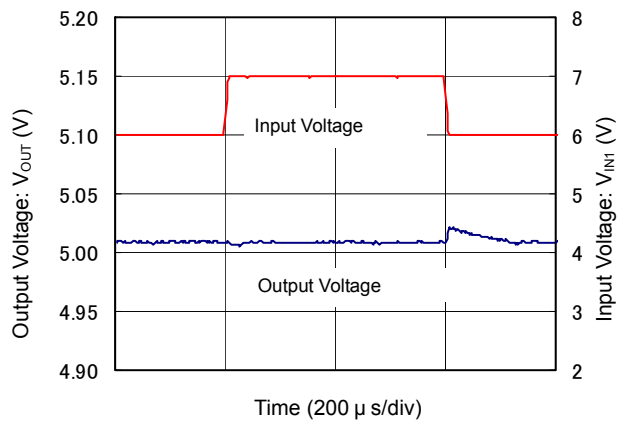
$V_{OUT}=3.0V$
 $tr=tf=5\ \mu s$, $C_L=1\ \mu F$ (ceramic), $I_{OUT}=30mA$



$V_{OUT}=3.0V$
 $tr=tf=5\ \mu s$, $C_L=1\ \mu F$ (ceramic), $I_{OUT}=100mA$



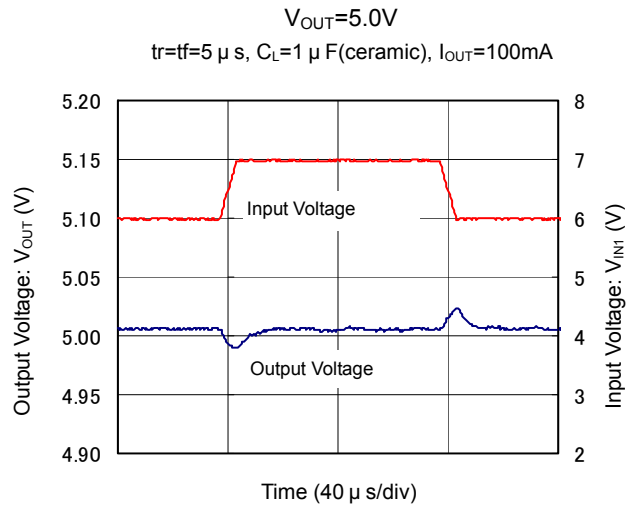
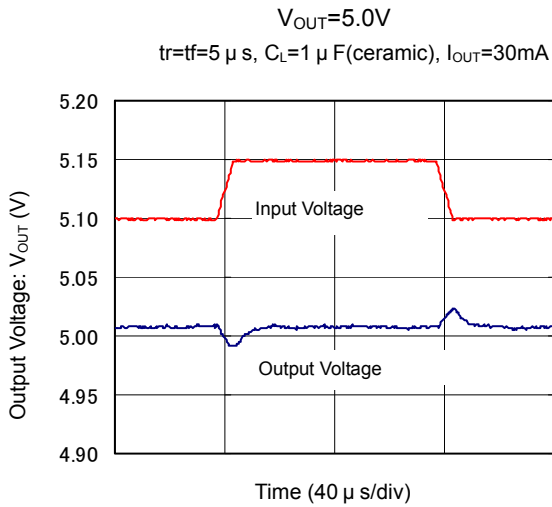
$V_{OUT}=5.0V$
 $tr=tf=5\ \mu s$, $C_L=1\ \mu F$ (ceramic), $I_{OUT}=100\ \mu A$



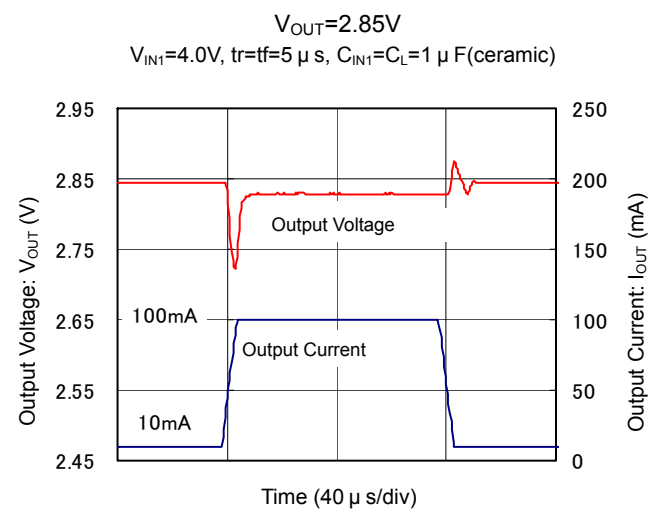
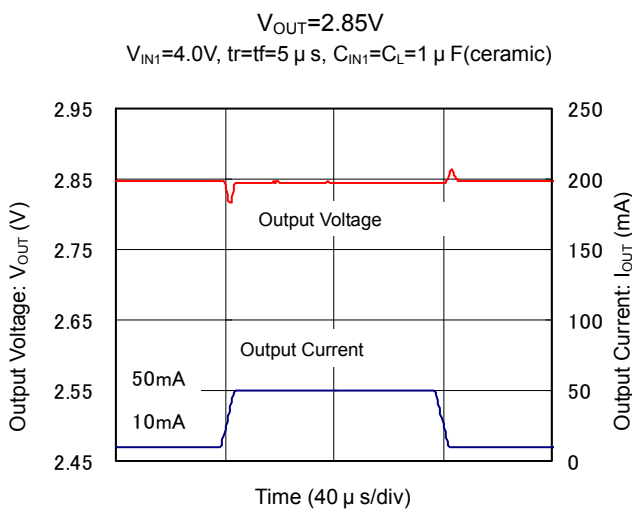
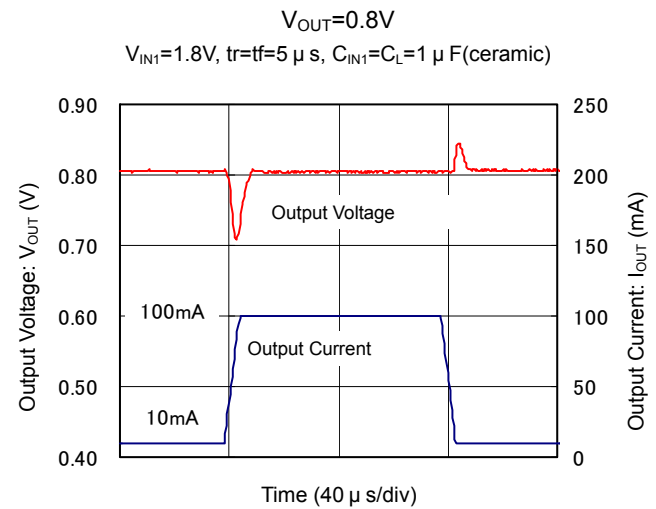
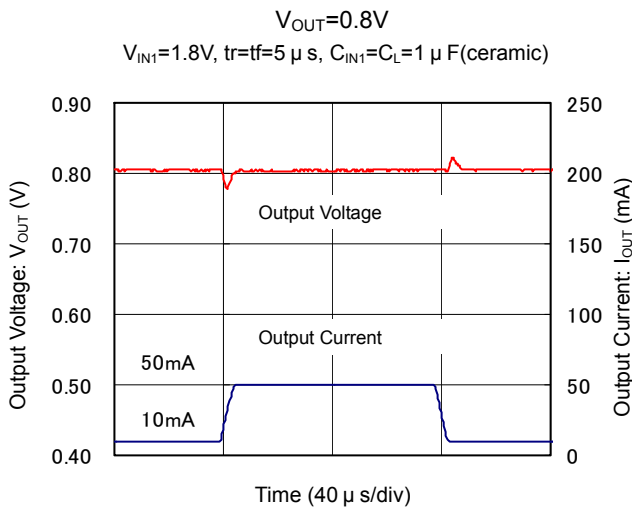
TYPICAL PERFORMANCE CHARACTERISTICS (Continued)

Regulator Block (Continued)

(7) Input Transient Response (Continued)



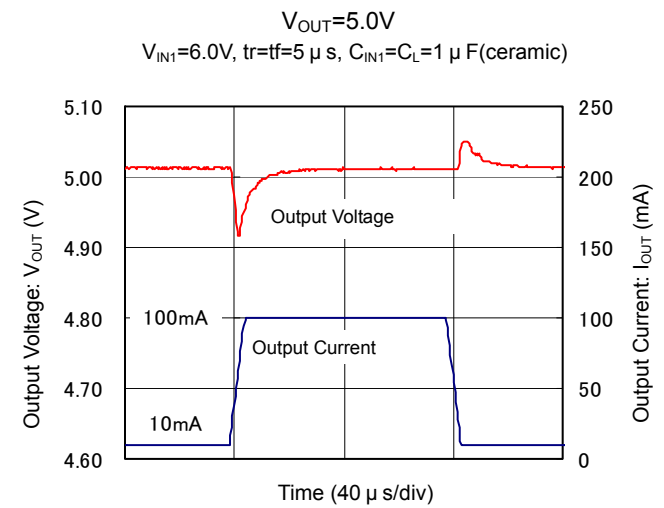
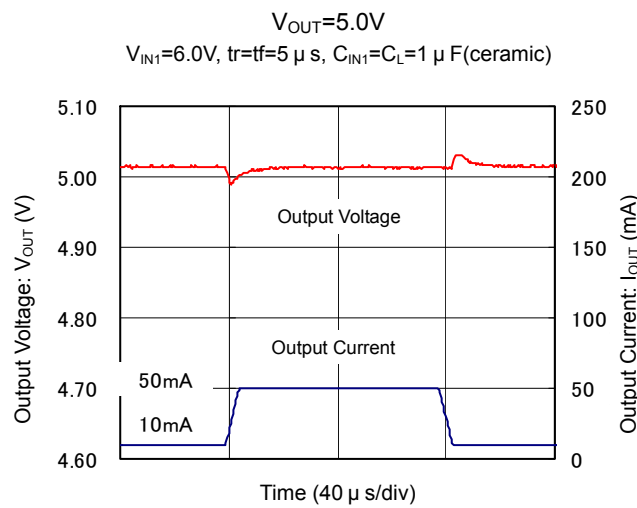
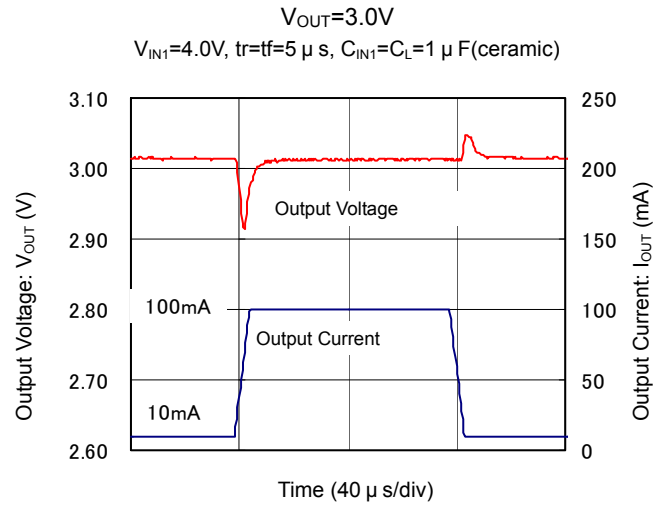
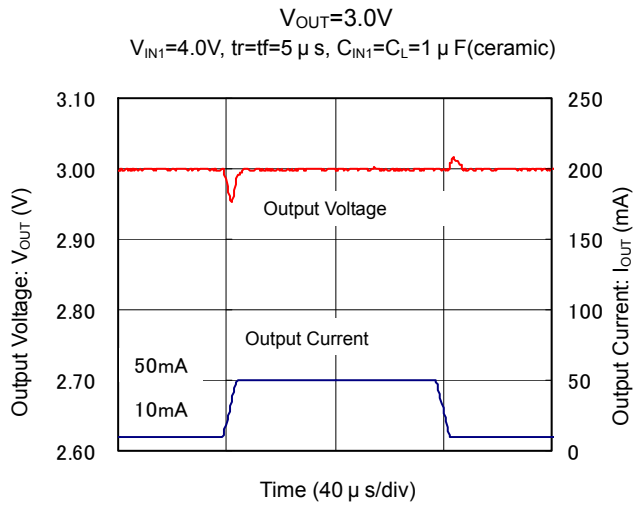
(8) Load Transient Response



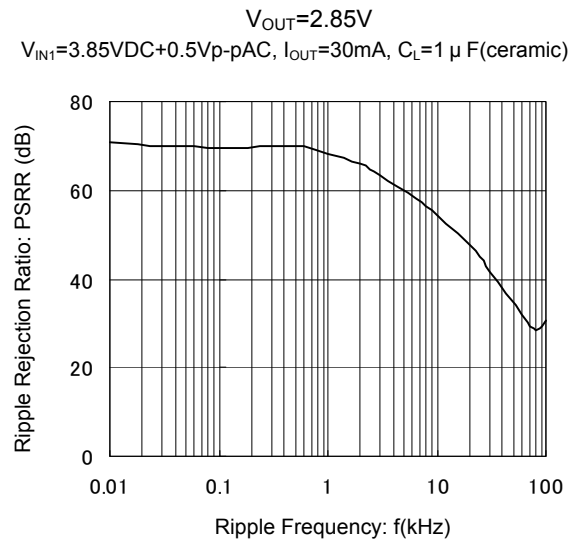
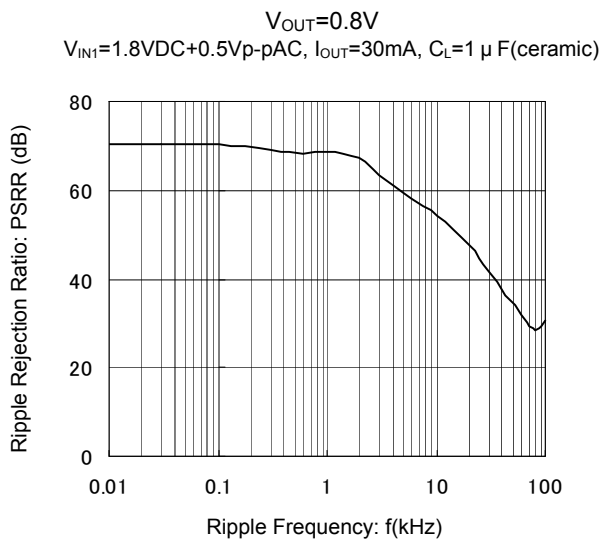
TYPICAL PERFORMANCE CHARACTERISTICS (Continued)

Regulator Block (Continued)

(8) Load Transient Response (Continued)



(9) Ripple Rejection Rate



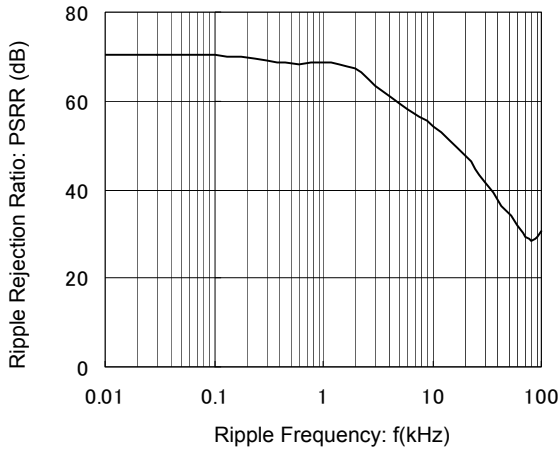
TYPICAL PERFORMANCE CHARACTERISTICS (Continued)

Regulator Block (Continued)

(9) Ripple Rejection Rate (Continued)

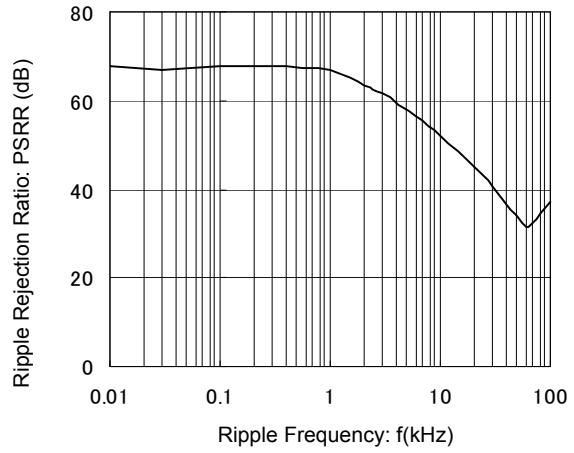
$V_{OUT}=3.0V$

$V_{IN1}=4.0VDC+0.5Vp-pAC$, $I_{OUT}=30mA$, $C_L=1\mu F$ (ceramic)



$V_{OUT}=5.0V$

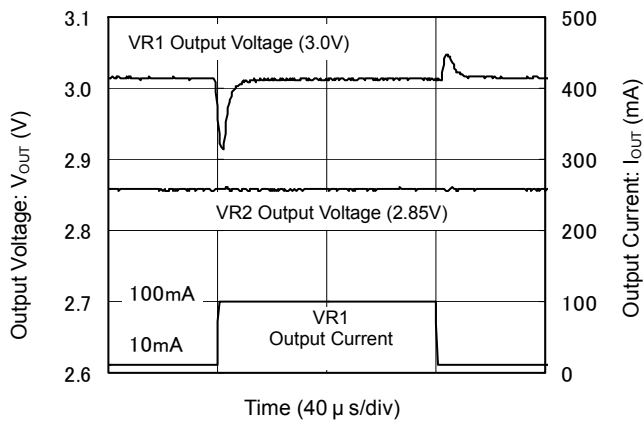
$V_{IN1}=5.75VDC+0.5Vp-pAC$, $I_{OUT}=30mA$, $C_L=1\mu F$ (ceramic)



(10) Cross Talk

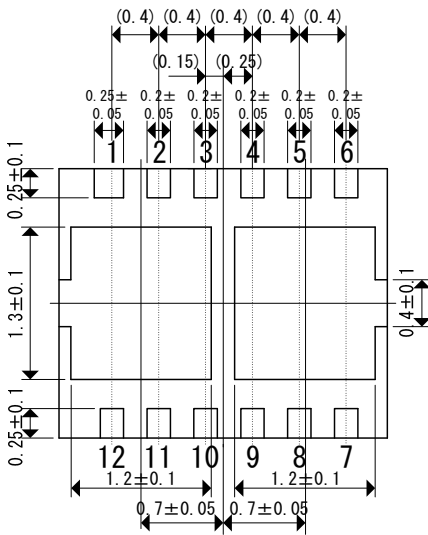
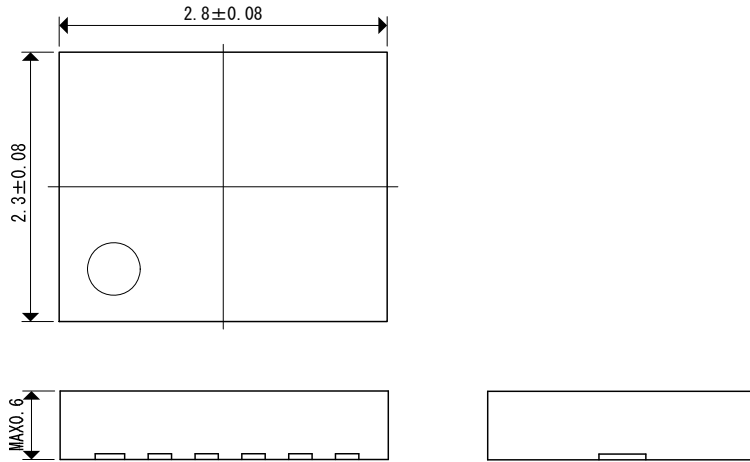
$V_{OUT1} : 3.0V$ & $V_{OUT2} : 2.85V$

$V_{IN1}=4.0V$, $C_{IN1}=C_{L1}=C_{L2}=1\mu F$ (ceramic)



PACKAGING INFORMATION

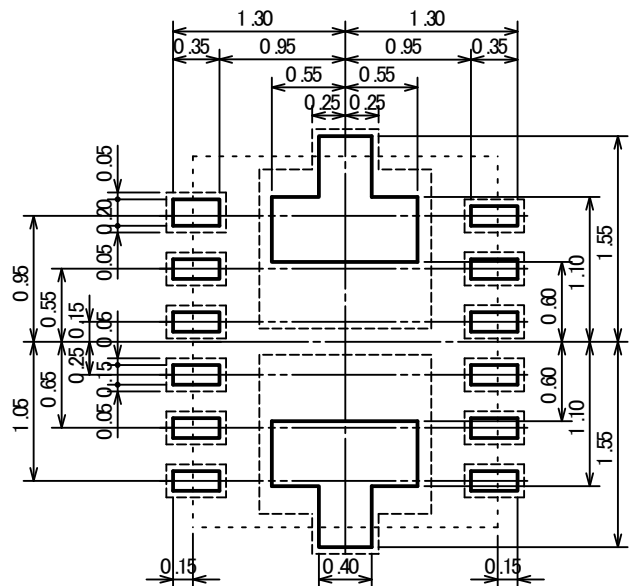
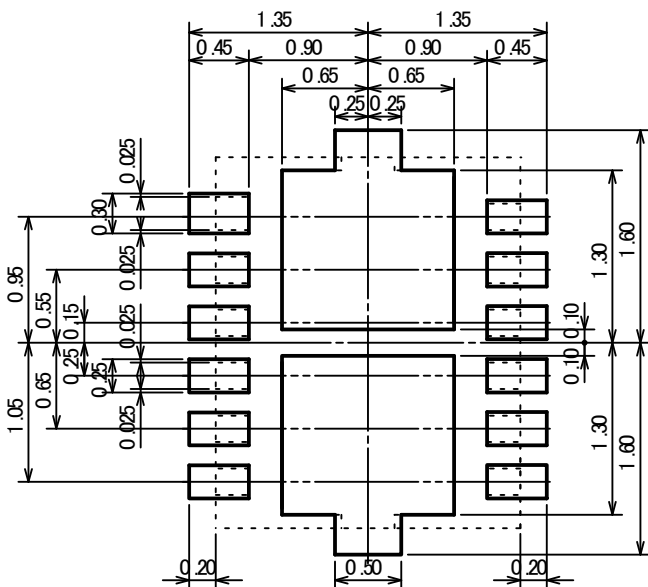
USP-12B01



UNIT: mm

USP-12B01 Reference Pattern Layout

USP-12B01 Reference Metal Mask Design



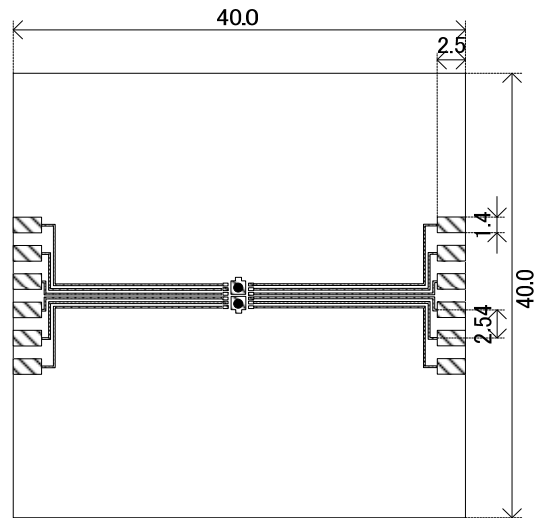
PACKAGING INFORMATION (Continued)

USP-12B01 Power Dissipation

Power dissipation data for the USP-12B01 is shown in this page.
 The value of power dissipation varies with the mount board conditions.
 Please use this data as one of reference data taken in the described condition.

1. Measurement Condition (Reference data)

- Condition: Mount on a board
- Ambient: Natural convection
- Soldering: Lead (Pb) free
- Board: Dimensions 40 x 40 mm (1600 mm² in one side)
- 1st Layer: Land and a wiring pattern
- 2nd Layer: Connecting to approximate 50% of the 1st heat sink
- 3rd Layer: Connecting to approximate 50% of the 2nd heat sink
- 4th Layer: Noting
- Material: Glass Epoxy (FR-4)
- Thickness: 1.6 mm
- Through-hole: 2 x 0.8 Diameter (each TAB needs one through-hole)

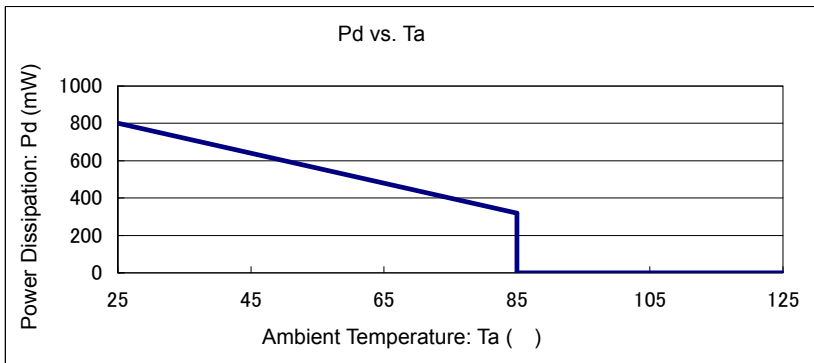


Evaluation Board (Unit: mm)

2. Power Dissipation vs. Operating temperature

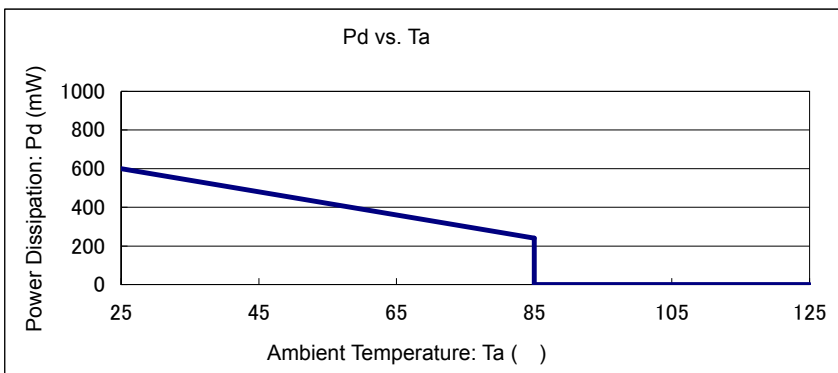
Only 1ch heating, Board Mount ($T_j \text{ max} = 125$)

Ambient Temperature (°C)	Power Dissipation Pd (mW)	Thermal Resistance (°C/W)
25	800	125.00
85	320	



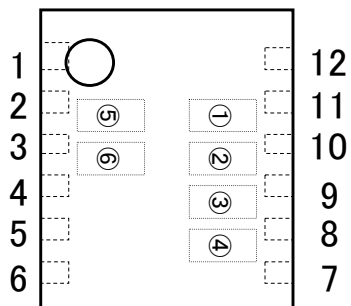
Both 2ch heating same time, Board Mount ($T_j \text{ max} = 125$)

Ambient Temperature (°C)	Power Dissipation Pd (mW)	Thermal Resistance (°C/W)
25	600	166.67
85	240	



MARKING RULE

USP-12B01



USP-12B01

represents product series

MARK	PRODUCT SERIES
1	XCM520 Series

represents combination of IC

MARK		PRODUCT SERIES
②	③	
A	A	XC6401FF** + XC9235A**D
A	B	XC6401FF** + XC9235A**C
A	C	XC6401FF** + XC9236A**D
A	D	XC6401FF** + XC9236A**C
A	E	XC6401FF** + XC9235B**D
A	F	XC6401FF** + XC9235B**C
A	G	XC6401FF** + XC9236B**D
A	H	XC6401FF** + XC9236B**C

④ represents combination of voltage for each IC (Sequence No.)

MARK	PRODUCT SERIES
1	XCM520**01**
2	XCM520**02**
3	XCM520**03**
4	XCM520**04**

, represents production lot number

01 ~ 09, 0A ~ 0Z, 11...9Z,

A1 ~ A9, AA...Z9, ZA ~ ZZ repeated

(G, I, J, O, Q, W excluded)

* No character inversion used.

1. The products and product specifications contained herein are subject to change without notice to improve performance characteristics. Consult us, or our representatives before use, to confirm that the information in this datasheet is up to date.
2. We assume no responsibility for any infringement of patents, patent rights, or other rights arising from the use of any information and circuitry in this datasheet.
3. Please ensure suitable shipping controls (including fail-safe designs and aging protection) are in force for equipment employing products listed in this datasheet.
4. The products in this datasheet are not developed, designed, or approved for use with such equipment whose failure or malfunction can be reasonably expected to directly endanger the life of, or cause significant injury to, the user.
(e.g. Atomic energy; aerospace; transport; combustion and associated safety equipment thereof.)
5. Please use the products listed in this datasheet within the specified ranges.
Should you wish to use the products under conditions exceeding the specifications, please consult us or our representatives.
6. We assume no responsibility for damage or loss due to abnormal use.
7. All rights reserved. No part of this datasheet may be copied or reproduced without the prior permission of TOREX SEMICONDUCTOR LTD.

TOREX SEMICONDUCTOR LTD.