

Customer Information Sheet

DRAWING No.: S02-XXXXXXX0

IF IN DOUBT - ASK

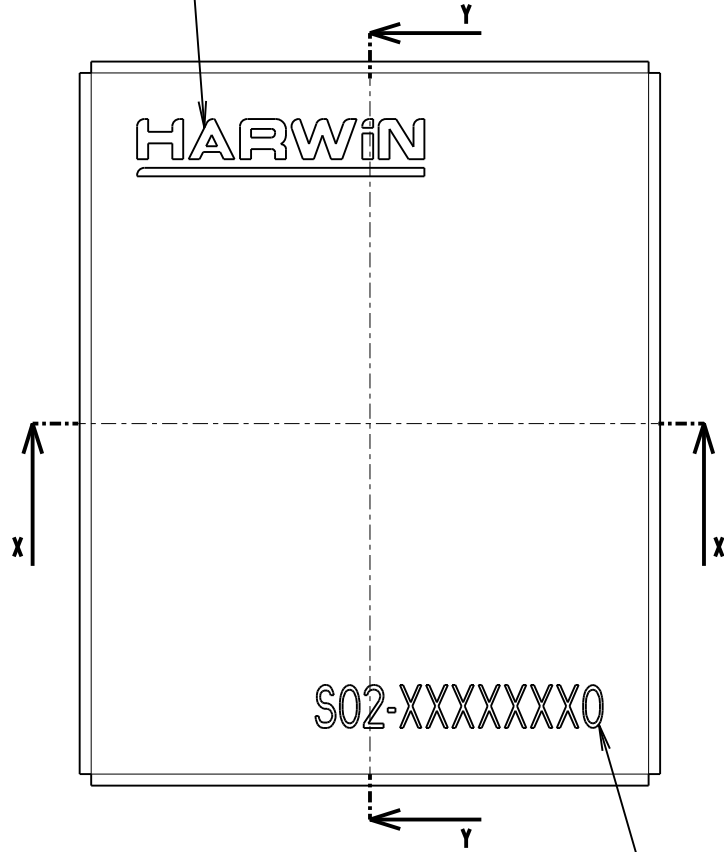
©

NOT TO SCALE

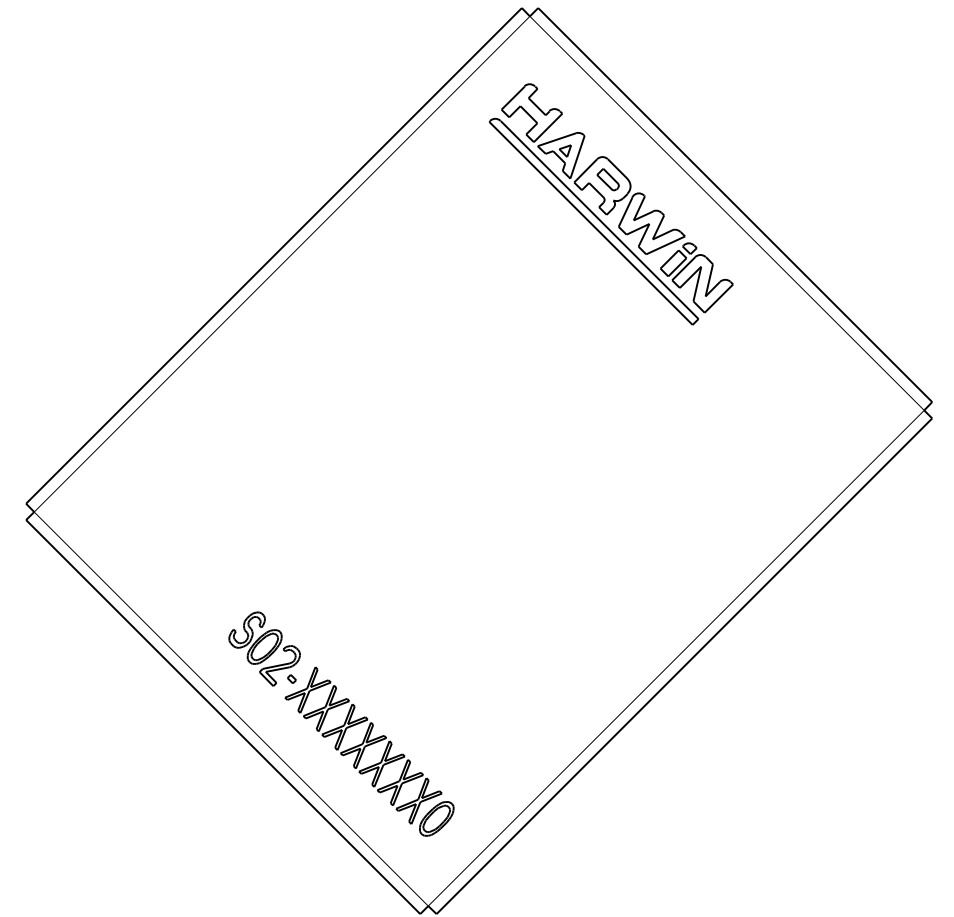
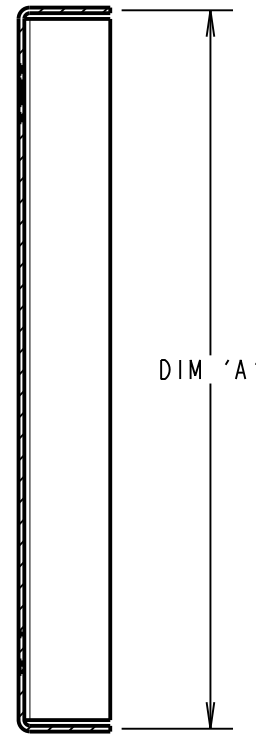
THIRD ANGLE PROJECTION

ALL DIMENSIONS IN mm

ETCHED HARWIN LOGO
NOT THROUGH CUT.



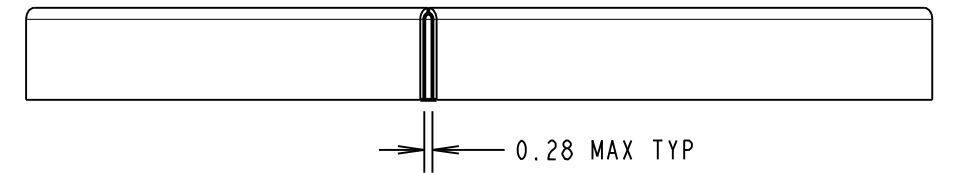
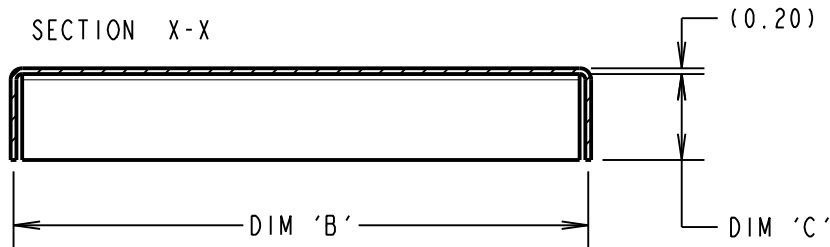
SECTION Y-Y



VIEW SHOWING CORNER OF THE SHIELD CAN

ETCHED PART NUMBER (SEE ORDER CODE).
NO THROUGH CUT.

SECTION X-X



NOTES:

- DIM 'C', HEIGHT OF THE CAN IS FROM THE BOTTOM EDGE TO THE INSIDE OF THE TOP FACE.
- BOTH DIM 'A' AND 'B' ARE FROM THE CENTRE OF THE MATERIAL THICKNESS.
- CANS ARE PACKED INDIVIDUALLY IN POLY BAGS.
- SHIELD CAN IS RECOMMENDED FOR USE WITH RFI SHIELD CLIPS: S0971-46R, S0981-46R, S0991-46R, S1001-46R AND S1721-XXR.

*** Please contact Barbara.Maier@codico.com to get more information! ***



ORDER CODE:

S02-XXXXXXX0

SIZE:

- DIM 'A' = LENGTH
- DIM 'B' = WIDTH
- DIM 'C' = HEIGHT
- FINISH:
- 0 = UNPLATED FINISH

SB	2	14.08.14	12552
NAME	ISS.	DATE	C/NOTE
APPROVED:		S.BENNETT	
CHECKED:		S.FLOWER	
DRAWN:		S.BENNETT	
CUSTOMER REF.:			
ASSEMBLY DRG:			

PART No.	DIM 'A'	DIM 'B'	DIM 'C'
S02-20150300	20.0mm	15.0mm	3.0mm
S02-25200300	25.0mm	20.0mm	3.0mm
S02-30200250	30.0mm	20.0mm	2.5mm

HARWIN

www.harwin.com
technical@harwin.com

THIS DRAWING AND ANY INFORMATION OR DESCRIPTIVE MATTER SET OUT HEREON ARE CONFIDENTIAL AND COPYRIGHT PROPERTY OF THE HARWIN GROUP AND MUST NOT BE DISCLOSED, LOANED, COPIED OR USED FOR MANUFACTURING, TENDERING OR FOR ANY OTHER PURPOSE WITHOUT THEIR WRITTEN PERMISSION.

TOLERANCES

- X. = ±1mm
- X.X = ±0.25mm
- X.XX = ±0.10mm
- X.XXX = ±0.01mm
- ANGLES = ±5°
- UNLESS STATED

MATERIAL:

NICKEL SILVER, HALF HARD NS106, TO BS1653 0.20mm THICK

FINISH:

SEE ABOVE

S/AREA:

mm²

TITLE:

EZ SHIELD CAN

DRAWING NUMBER:

S02-XXXXXXX0

SHT
2 OF 2