

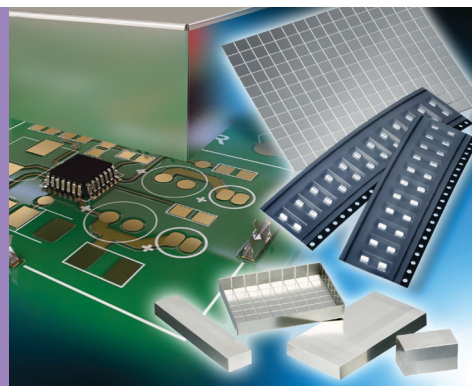
*** Please contact Barbara.Maier@codico.com to get more information! ***

RFI Shield Can Kit

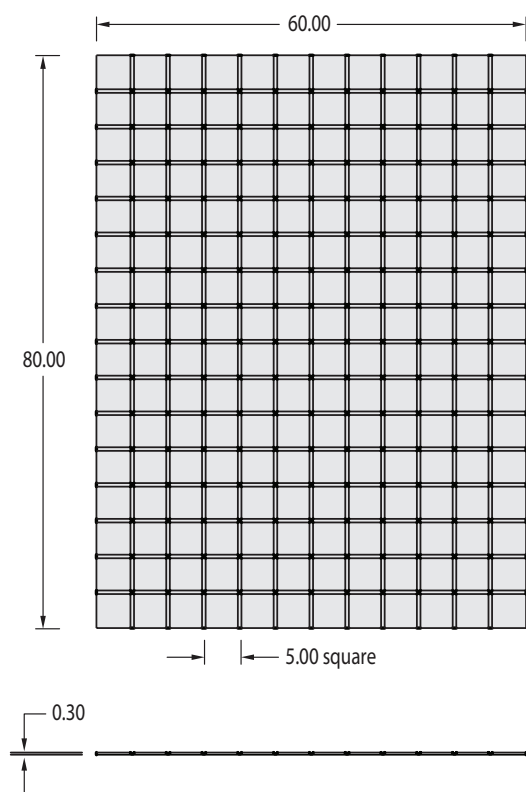


EMI/RFI Shielding

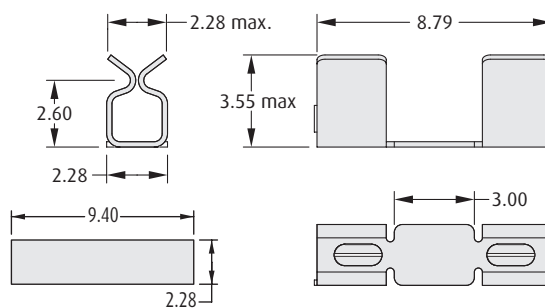
- ❖ Make your own EZ-Shield Cans in minutes, ideal for fast prototyping.
- ❖ Kit contains DIY Shield Can blanks, Shield retention clips and full instructions.
- ❖ Nickel Silver material for effective & useable shielding: up to 24dB attenuation achieved (frequency/configuration dependent).
- ❖ Shield Can is removable for adjustment.



SHIELD CAN KIT



2 x Shield Can Sheets
5mm pitch score lines, for folding



Recommended PC Board Pattern

24 x Shield Clip S1711-46R
(see page 178 for more information)



Instruction Sheet
(available from www.harwin.com/instructions)

ORDER CODE

S01-806005KIT

All dimensions in mm.